

Plug Adapter, Pins NEMA 5-15P, Socket 10A/20A NBR 14136

**Plug Adapter, Pins NEMA 5-15P,
Socket 10A and 20A NBR 14136**

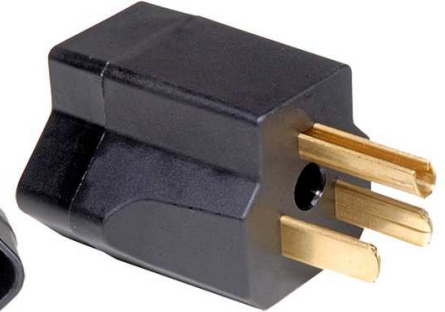
Used in Country:

Brazil, U.S.A., Canada, Japan etc.



Specifications:

- **Ratings:** 15 Amp, 250 Volt AC max.
2 Pole 3 Wire Grounding (2P+E)
- **Compliant with Standards:**
ABNT NBR 14136 (based on IEC 60906-1)
Pins Standard: NEMA 5-15P
- **Standard Color:** Black (BK)
Further colors available, depending on quantity.
- **for Use with Plugs:** 10A (Pins Ø 4.0 mm)
20A (Pins Ø 4.8 mm)



EX-3044-BK

Description	Catalog No. Black	White	Grey
Plug Adapter, 2P+E, 15A/250V AC max, Pins NEMA 5-15P, Socket Standard NBR 14136, takes 10A and 20A Brazilian NBR 14136 Plugs.	EX-3044-BK	EX-3044-WH	EX-3044-LG

ADDITIONAL PRODUCT FEATURES

1) Plug Description:

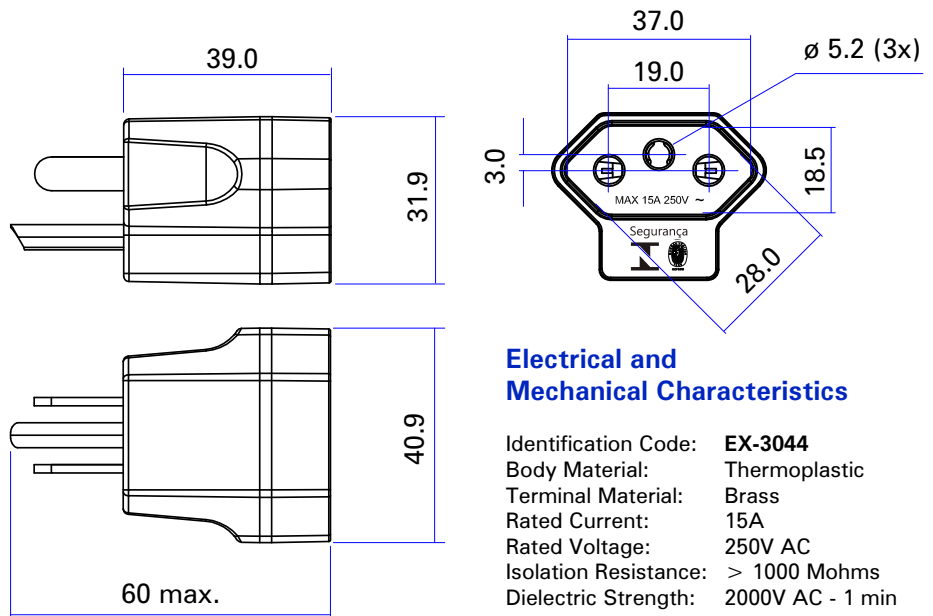
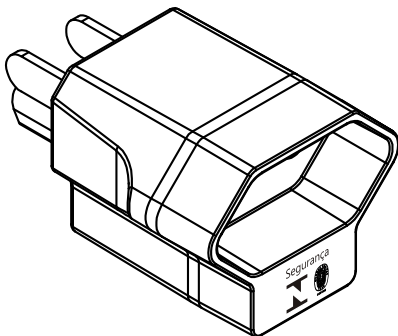
- 2 Pole 3 Wire with grounding contact, for Class I equipment (Standard according to NEMA 5-15P)
- Setup: As in figure. 02 Table 5 of Annex C of the Rules of Conformity Assessment Ordinance no. 251 INMETRO
- Degree of protection: IPX0 (common)
- Material of cover: Thermoplastic

2) Socket Description:

- 2 Pole 3 Wire with grounding contact, without shutters, for Class I equipment (Standard NBR 14136)
- Setup: As in figure. 16 Table 4 of Annex C of the Rules of Conformity Assessment Ordinance no. 251 INMETRO
- Degree of protection: IPX0 (common)
- Protection against electric shock: Normal
- Material of cover: Thermoplastic

Dimensional Data:

**Plug Adapter, Pins NEMA 5-15P,
Socket takes 10 Amp. and 20 Amp.
NBR 14136 Brazilian Standard Plugs**



Electrical and Mechanical Characteristics

Identification Code:	EX-3044
Body Material:	Thermoplastic
Terminal Material:	Brass
Rated Current:	15A
Rated Voltage:	250V AC
Isolation Resistance:	> 1000 Mohms
Dielectric Strength:	2000V AC - 1 min

Technical data and dimensions are subject to change without notice. Dimensions in mm.