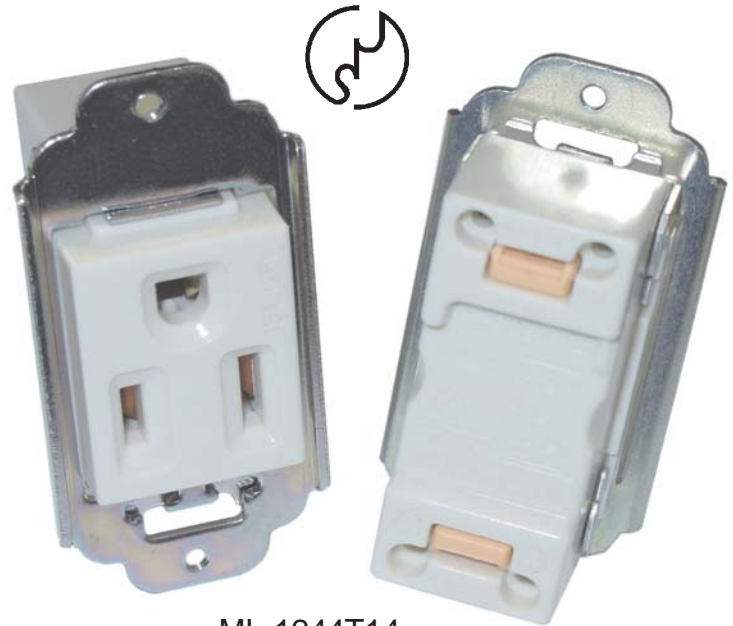
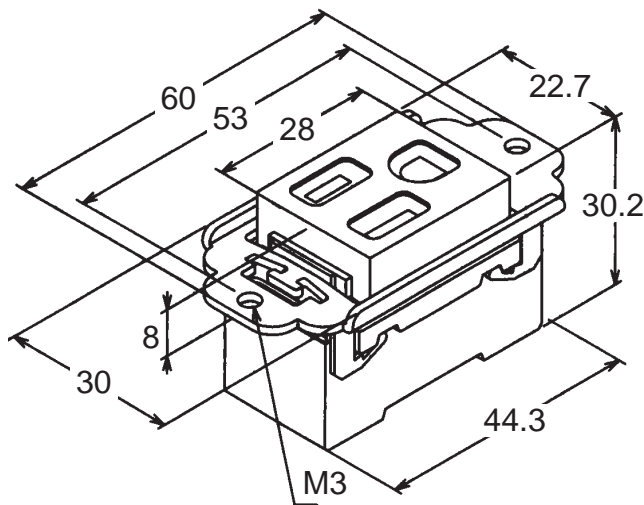


Japan Flush Mounting Receptacle



ML-1244T14

Catalog No.	Description	Weight/ea	VPE/Pack	EDP-No.
ML-1244T14	Flush Mount Receptacle, 15A/125V AC, White, Standard: JIS C8303 Class I, Quick-Connect (1) L+N, (2) Ground, (Cu \varnothing 1.6 \varnothing 2)	43 g	400	121470

JIS 8303, Class II (2-Pole 2-Wire Non-Grounding)

At first glance, the Japanese plug and socket seem to be identical to NEMA 1-15. However, the Japanese system incorporates tighter dimensional requirements, different marking requirements, and mandatory testing and approval by MITI or JIS. Furthermore, standard wire sizes and the resulting current ratings are different from those used elsewhere in the world.

JIS 8303, Class I (2-Pole 3-Wire Grounding)

Japan uses a type B that differs from its American counterpart (NEMA 5-15) in the same way that the type A (NEMA 1-15) one does. It is, however, much less common.

Please refer to [Document No. 0505](#) for Types of Electric Plugs by Country.

To learn more about B-I-A please visit us at our
WEB site: www.BiaGmbH.com

