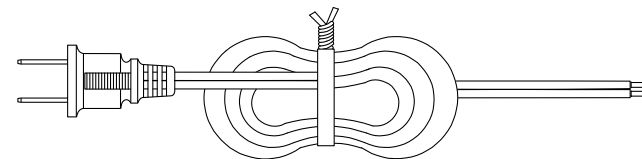
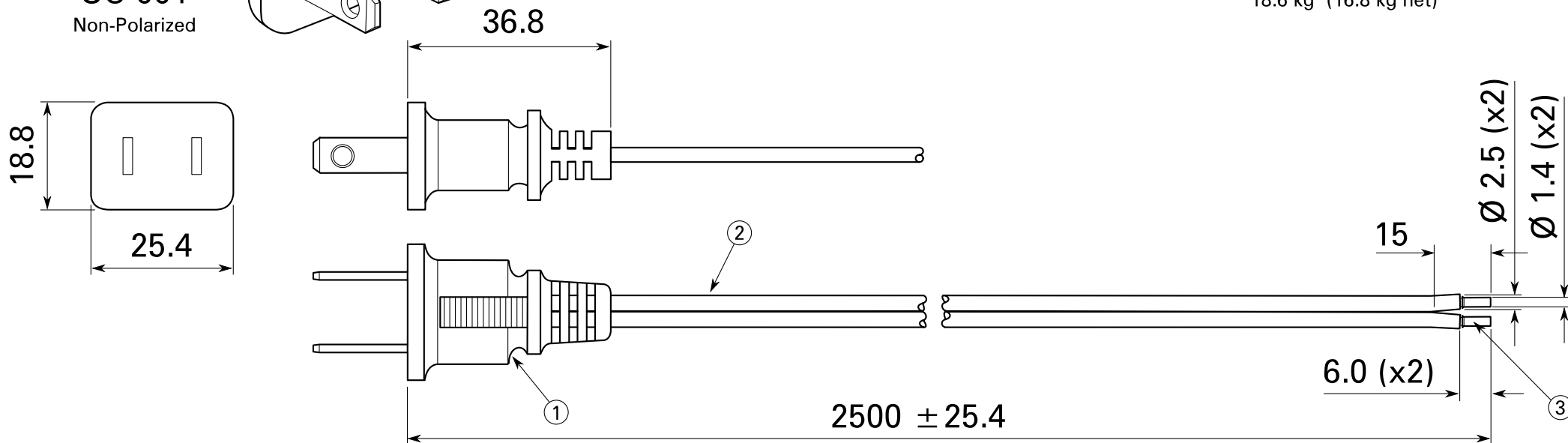


UC-001
Non-Polarized

Power Supply Cord USA/Canada, Gray,
Length 2.5 m, Cord Type SPT-2 18/2,
Ratings 10 Amp, 2 Poles, 125 Volt AC,
Plug Type UC-001 (NEMA 1-15P),
2nd End Stripped and attached (KINYIP)



HANK DETAIL
PUT-UP: 150 PER CARTON
18.6 kg (16.8 kg net)



BILL OF MATERIALS			
ITEM	DESCRIPTION	QTY	PART NO.
1	MOLDED NON-POLARIZED MALE PLUG GRAY (RAL-7035)	1	UC-001 (NEMA 1-15P)
2	SPT-2 18/2 60°C GRAY (RAL-7035)	*	N/A
3	SPLIT 15mm, STRIP AND ATTACH (KINYIP) FERRULE SIZE: (2.5 x 6 x 1.4)mm TO EACH LEAD.	2	N/A

NOTES:

1. ELECTRICAL RATING: 10A/125V
2. APPROVALS: UL/CSA
3. UL FILE NO. E147323
4. CSA FILE NO. LR77840
5. MEETS ALL REQUIREMENTS FOR UL 817 AND CSA C22.2 NO. 21
6. NEMA 1-15P PLUG: NICKEL PLATED BRASS BLADES
7. PUT-UP: SEE DETAIL

Tolerance	Approved		Date		www.biagmbh.com Copyright © B-I-A GmbH, Germany		
	Updated	jup	Date	2011-06-24	B-I-A Vertriebs GmbH		
	Drawn	jup	Date	2003-08-14	www.biaonline.com info@biagmbh.com		
	Catalog No.	12801-25M-GG		P/N Line	118706	L1715	
	Drawing No.	012801-8-2F	Rev. A	Material	Thermoplastic	Unit	mm
				Scale	NTS		