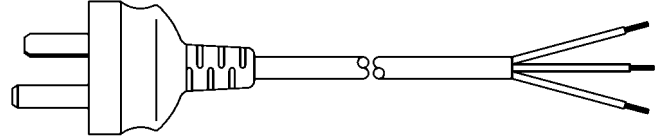


China - Non-Detachable Power Supply Cords

SPECIFICATIONS

- Molded PVC male grounding plug with inner housing.
- Straight, with flex strain relief.
- Nickel-plated brass solid blades.
- Standard: GB 1002-1996
- Approvals: CCC (or older CCEE)
- **NOTE: Pin Dimensions of the 16A plug are larger than 10A plug dimensions. See document below for informations.**



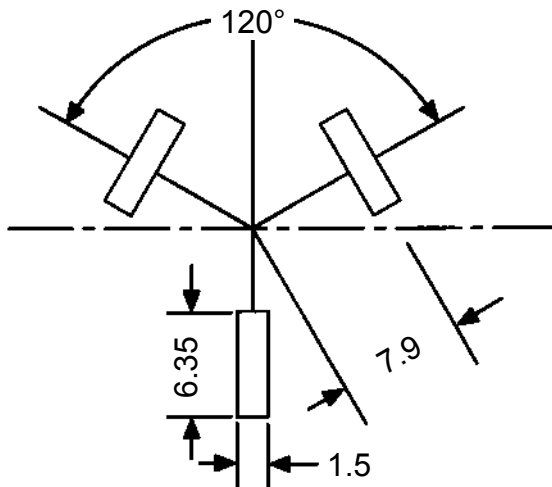
Molded PVC Grounding Plug No. see below

Remove Outer Jacket Strip and Twist 2nd End see below

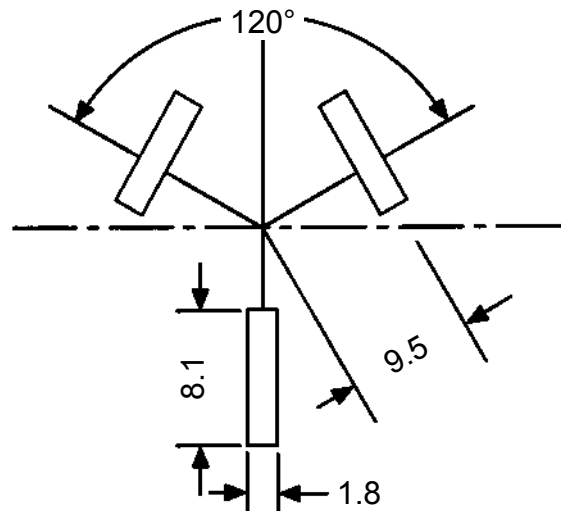
Catalog No.*	Rating	Color	Plug No.	Wire Type	Color ¹	Nominal \varnothing	2nd End	VPE/Pack	EDP-No.
8530-25M-BB	10A-250V	Black	UC-053	RVV 3x1.0mm ²	CEE	7.1mm	50/12mm	50 ea	121366
8555-25M-BB	16A-250V	Black	UC-055	RVV 3x1.5mm ²	CEE	8.6mm	50/12mm	50 ea	121254

* Catalog No. indicates: **Series - Length Code - Color Code** (e.g. BB = all Black, GG = all Gray)

¹ Conductor Color Code: CEE = Brown, Blue, Green/Yellow – NA = Black, White, Green



10 Amp. Pin Dimensions



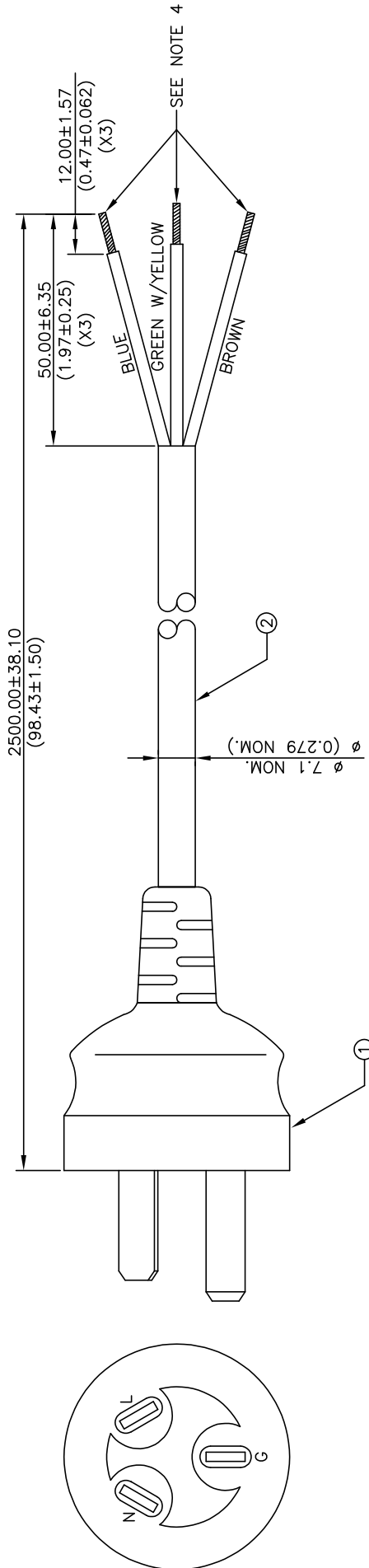
16 Amp. Pin Dimensions

To learn more about B-I-A please visit us at our
WEB site: www.BiaGmbH.com



BILL OF MATERIALS

ITEM	DESCRIPTION	QTY.	PART NO.	VENDOR	REV.
1	BLACK PLUG (GB 1002-1996) W/NICKEL PLATED BRASS BLADES	1	UC-053 98655L GEM	N/A	
2	WIRE TYPE: RVV 1.0MM2 X 3C 70°C (32/0.20)	*	N/A	N/A	



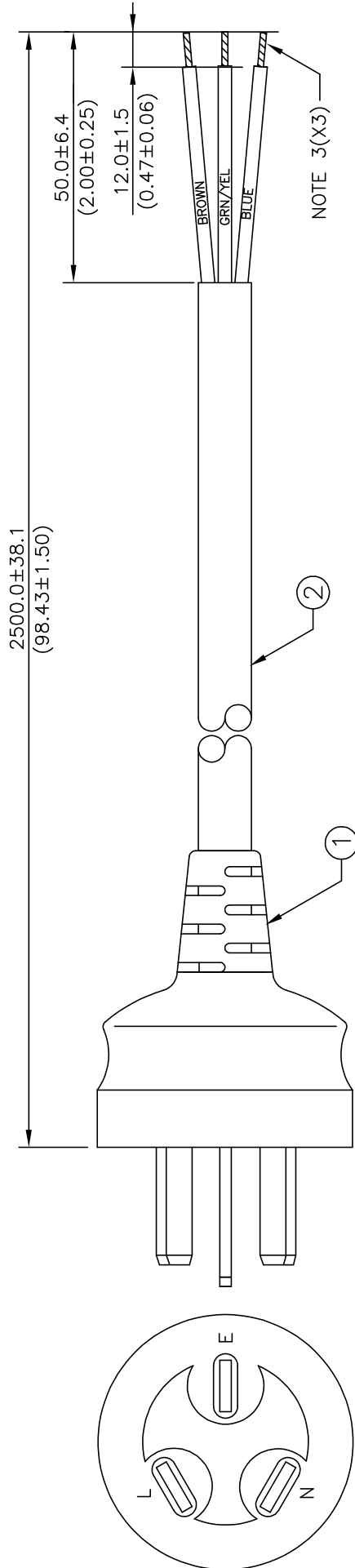
NOTES:

1. ELECTRICAL RATING: 10A/250V
2. APPROVAL MARKS: CCC
3. PUT UP: BULK
4. ENDS STRIPPED AND TWISTED

Catalog No.	Rating	Color	Plug No.	Wire Type	Color	Nominal Ø	2nd End	VPE/Pack	EDP-No.
8530-25M-BB	10A-250V	Black	UC-053	RVV 3x1.0mm ²	CEE	7.1mm	50/12mm	50 ea	121366

BILL OF MATERIALS

ITEM	DESCRIPTION	QTY.	PART NO.	VENDOR
1	BLACK CHINESE MALE GROUNDING PLUG (GB 1002-1996) NICKEL PLATED BRASS BLADES	1	UC-055 98654S	N/A
2	BLACK RVV 3x1.5mm ² 70°C CEE BC STRANDING (30x0.25)	*	N/A	N/A



NOTES:

1. ELECTRICAL RATING: 16A/250V
2. APPROVAL: CCC FILE NO. 2004010201117399
3. ENDS STRIPPED AND TWISTED.

Catalog No.	Rating	Color	Plug No.	Wire Type	Color	Nominal Ø	2nd End	VPE/Pack	EDP-No.
8555-25M-BB	16A-250V	Black	UC-055	RVV 3x1.5mm ²	CEE	8.6mm	50/12mm	50 ea	121254