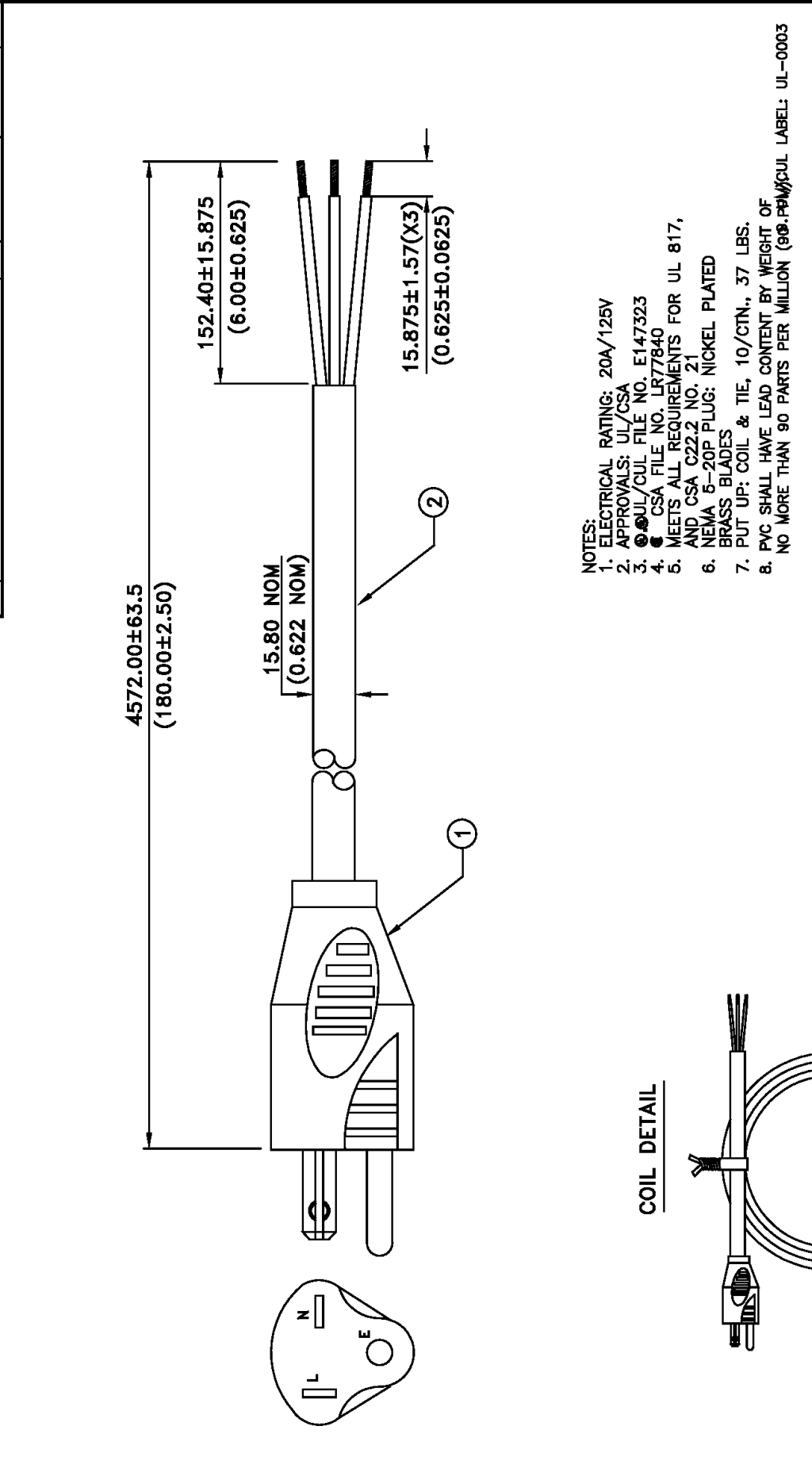


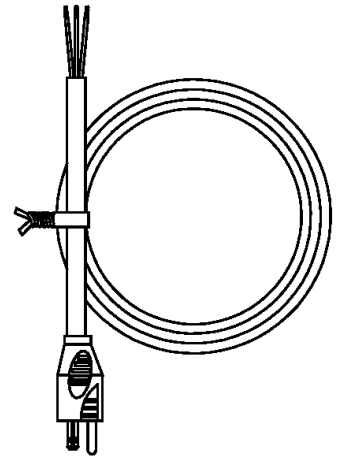
REV.	DESCRIPTION	DATE	DRAWN	APPROVED	ITEM	DESCRIPTION	QTY.	PART NO.	VENDOR
A	REVISED NICKEL PLATED BRASS BLADES FROM 5-105 LOW LEAD AND LEADS TO NOTES 5&6&7&8 NOTE 4; ADD ECU L1 TO PLUG FACE; AND (C) TO STRIP. DIM. ADDED NOTE 8; OVERALL TEL. WAS 2.00"	9/19/0			1	BLACK PLUG (NEMA 5-20P) NICKEL PLATED BRASS BLADES	1	UC-07F W/CSA 98661	
					2	BLACK WIRE: LOW LEAD STW 12/3 105°C NA (65X30)	*	N/A	N/A



NOTES:

1. ELECTRICAL RATING: 20A/125V
2. APPROVALS: UL/CSA
3. CUL/CUL FILE NO. E147323
4. CSA FILE NO. LR77840
5. MEETS ALL REQUIREMENTS FOR UL 817, AND CSA C22.2 NO. 21
6. NEMA 5-20P PLUG: NICKEL PLATED BRASS BLADES
7. PUT UP: COIL & TIE, 10/CTN., 37 LBS.
8. PVC SHALL HAVE LEAD CONTENT BY WEIGHT OF NO MORE THAN 90 PARTS PER MILLION (90.PPM)/CUL LABEL: UL-0003

COIL DETAIL



TOLERANCES		DATE	REV.
DECIMALS	INCHES	9/19/0	7200-15F-BB
.X	± .2 (0.008)		
.XX	± .10 (0.004)		
.XXX	± .05 (0.002)		
MILLIM	± 0.5 (0° -30°)		
CAD FILE REF:		DRAWN	C. PRUITT
7200-15F-BB		CHECKED	N. JONES
THIS DRAWING AND INFORMATION THER		APPROV	N. JONES
		DATE	9/19/0
		CUST. DWG. NO.	EDP# 119653
		DRAWING NO.	
		REV.	A