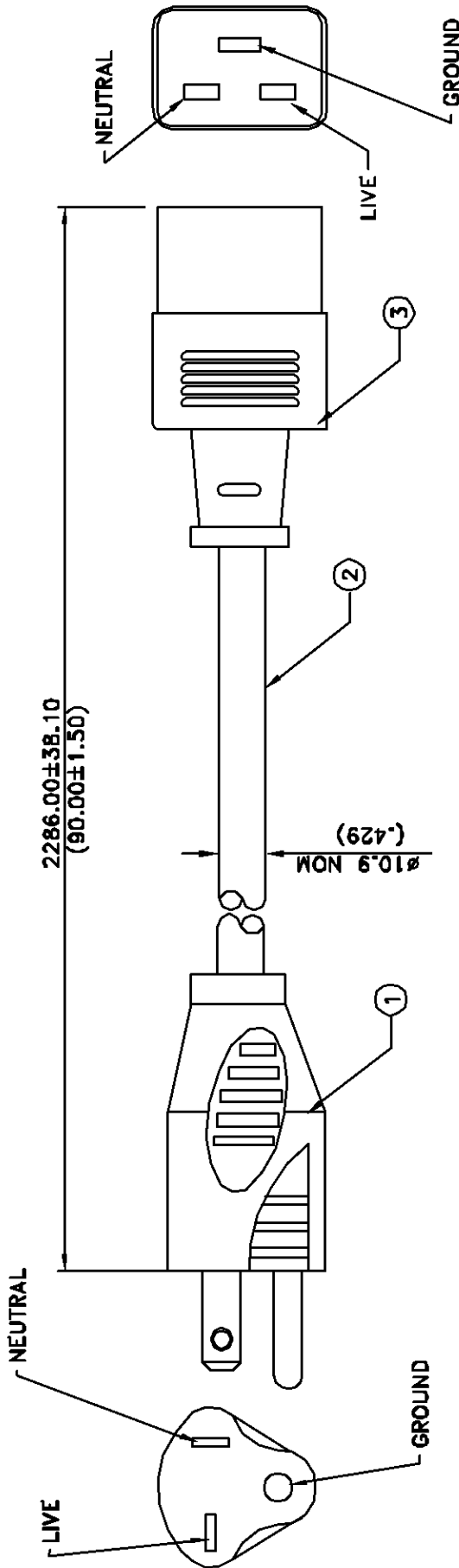
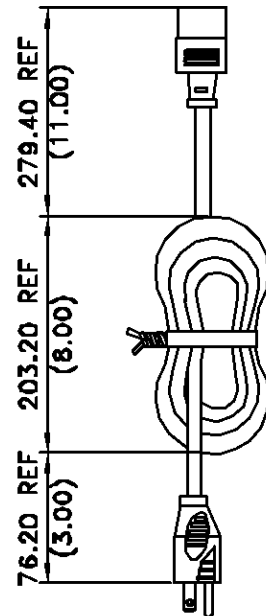


ITEM	DESCRIPTION	QTY.	PART NO.	VENDOR	REV.
1	BLACK PLUG (NEMA 6-20P)	1	UC-07H W/REM 04681		
2	BLACK WIRE: SJT 12/3 (6SX50) 60°C CEE	"	N/A	N/A	
3	BLACK FEMALE CONNECTOR (EG60320/C19)	1	UC-033		

REV.	DESCRIPTION	DATE	DRAWN	APPROVED
A	REVISED TO THIS DRAWING	05/20/01	C. HILTY	H. MAYER



- NOTES:
- ELECTRICAL RATING: 20A/250V
 - APPROVALS: UL/CSA
 - UL FILE NO. E147323
 - CSA FILE NO. LR7840
 - MEETS ALL REQUIREMENTS FOR UL B17, AND CSA C22.2 NO. 21
 - NEMA 6-20P PLUG; NICKEL PLATED BRASS BLADES
 - PUT UP: SEE DETAIL: 25 CTN/ 33 LBS



HANK DETAIL

		118467		
		STOCK DETACHABLE POWER CORD		
TOLERANCES DECIMALS IN INCHES X ± .2 (0.008) XX ± .10 (0.004) XXX ± .05 (0.002) MILLIMETER ± 0.5 (0° -30°)	DRAWN C. PRUITT	DATE 04/20/01	PART NO. 4260-761-BB	REV. A
SCALE: NTS	CHECKED N. JONES	DATE 04/20/01	DRAWING NO. 4260-761-BB	
CAD FILE REF: 4260-761-BB	APPROVAL N. JONES	DATE 04/20/01		