

TRIAD®

C240SI120RH & C240SI277RH

APPLICATION and PERFORMANCE SPECIFICATION

Description: High frequency electronic ballast designed exclusively for (2/1) FT40W/2G11, (2/1)FT40WES/2G11(28W), and (2/1)FT40WES/2G11(25W) lamps

- Line Voltage: 120vac or 277vac, ±10%, 60Hz
- End-of-Lamp-Life Safety Shutdown Circuit
- Instant Start
- Passive Power Factor Correction

Lamp Type	Line Volts	Lamp #	Input Watts	Nominal Line Amps	Power Factor	Ballast Factor	Ballast Efficacy Factor	Harmonic Total	Crest Factor
FT40W/2G11	120	2	67	0.61	> .95	.88	1.31	< 20%	< 1.7
FT40W/2G11	120	1	40	0.40	> .90	1.02	2.55	< 20%	< 1.7
FT40W/2G11	277	2	67	0.27	> .95	.88	1.31	< 20%	< 1.7
FT40W/2G11	277	1	40	0.17	> .90	1.02	2.55	< 20%	< 1.7
FT40WES/2G11(28W)	120	2	61	0.52	> .95	.87	1.42	< 20%	< 1.7
FT40WES/2G11(28W)	120	1	37	0.33	> .90	1.03	2.81	< 20%	< 1.7
FT40WES/2G11(28W)	277	2	63	0.23	> .95	.89	1.41	< 20%	< 1.7
FT40WES/2G11(28W)	277	1	39	0.15	> .90	1.04	2.66	< 20%	< 1.7
FT40WES/2G11(25W)	120	2	50	0.44	> .95	.90	1.80	< 20%	< 1.7
FT40WES/2G11(25W)	120	1	30	0.29	> .87	1.00	3.33	< 20%	< 1.7
FT40WES/2G11(25W)	277	2	52	0.19	> .95	.90	1.73	< 20%	< 1.7
FT40WES/2G11(25W)	277	1	31	0.13	> .87	1.00	3.23	< 20%	< 1.7

Performance:

- Meets ANSI Standard C82.11-1993
- Meets ANSI Standard C62.41-1991
- Meets FCC Part 18 (Class A) for EMI and RFI Non-Consumer Limits

Safety:

- No PCB's
- cUL_{US} listed (Class P, Type 1 Outdoor)

Application:

- Minimum Starting Temperature: 50° F, 10° C
- Maximum Ambient Temperature: 105° F, 40° C
- Sound Rated: A
- Remote Mounting: 12 ft. max. lead length, 18 AWG

Physical Parameters

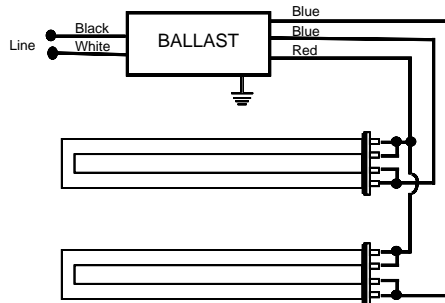
- Length: 9.50"
- Width: 2.40"
- Height: 1.55"
- Weight: 2.70 lbs.
- Lead Length: White, Black 25" (± 1")
Red, Blue 33" (± 1")

This product contains an End of Lamp Life Safety Shutdown circuit. When replacing a lamp, the power to the ballast must be re-cycled for 5 seconds to reset the shutdown circuit.

Warranty:

The manufacturer warrants to the purchaser that each electronic ballast will be free from defects in material or workmanship for a period of 5 years from date of manufacture when properly installed and under normal conditions of use.

Manufactured in North America



Ballast must be Grounded

Note: For one lamp application, cap one blue lead, insulate to 600 volts