

## TRIAD® B132IUNVHE-A

### APPLICATION and PERFORMANCE SPECIFICATION

**Description:** High frequency electronic ballast for (1) F32T8 and others as indicated below.  
Also equivalent U-shaped lamps.

- Line Voltage: 108vac - 305vac, 50/60Hz
  - Parallel Lamp Operation
  - Instant Start
  - Active Power Factor Correction
- \*60 Hz data

Lamp		Volts	Input Watts	Nominal Line Amps	Power Factor	Ballast Factor	Ballast Efficacy Factor	Harmonic Total	Crest Factor
Type	#								
F32T8	1	120	28	0.24	>.98	.87	3.11	< 10%	< 1.7
F32T8	1	277	28	0.12	>.95	.87	3.11	< 10%	< 1.7
F32T8ES	1	120	26	0.22	>.98	.87	3.35	< 10%	< 1.7
F32T8ES	1	277	26	0.11	>.95	.87	3.35	< 10%	< 1.7
F32T8ES (25W)	1	120	23	0.19	>.98	.87	3.78	< 10%	< 1.7
F32T8ES (25W)	1	277	23	0.09	>.95	.87	3.78	< 10%	< 1.7
F28T8	1	120	24	0.20	>.98	.87	3.63	< 10%	< 1.7
F28T8	1	277	24	0.10	>.95	.87	3.63	< 10%	< 1.7
F25T8	1	120	22	0.18	>.98	.89	4.05	< 10%	< 1.7
F25T8	1	277	22	0.10	>.95	.89	4.05	< 10%	< 1.7
F17T8	1	120	16	0.13	>.98	.90	5.63	< 10%	< 1.7
F17T8	1	277	16	0.07	>.90	.90	5.63	< 10%	< 1.7
F40T8	1	120	35	0.30	>.98	.86	2.46	< 10%	< 1.7
F40T8	1	277	35	0.14	>.95	.86	2.46	< 10%	< 1.7

Application and Performance Specification Information Subject to Change without Notification.

**Performance:**

- Meets ANSI Standard C82.11-1993
- Meets ANSI Standard C62.41-1991
- Meets FCC Part 18 (Class A) for EMI and RFI  
Non-Consumer Limits
- Anti-striation circuitry

**Safety:**

- No PCB's
- UL listed  
(Class P, Type 1 Outdoor, Type HL)
- CSA Certified

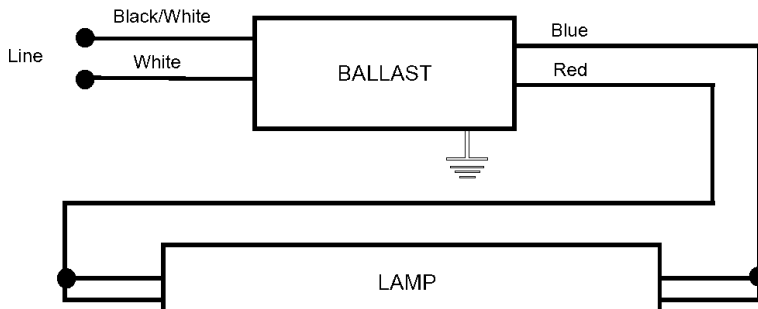
**Application:**

- Minimum Starting Temperature: 0° F, -18° C  
For ES & 28W Lamps: 60° F, 16° C
- Maximum Ambient Temperature: 105° F, 40° C
- Sound Rated: A
- Remote Mounting: 20 ft. max. lead length, 18 AWG

**Physical Parameters**

- Length: 9.50"
- Width: 1.70"
- Height: 1.18"
- Weight: 1.70 lbs
- Lead Length: Black, White 25" (+/-1")
- Red 48" (+/-1")
- Blue 31" (+/-1")

**Manufactured in North America**



**Ballast Must be Grounded**

