

## F213ESP

### Application and Performance Specifications

**Description:** Electromagnetic ballasts for (2) fluorescent lamps as indicated below:

- Line Voltage: 120 vac, + 5%, - 10%, 60Hz
- Preheat Start
- Low Power Factor

Typical Performance Data								
Lamp		Input Current	Input Power	Power	Ballast	Ballast Efficacy	T.H.D.	Crest
Type	#	( Amps )	( Watts )	Factor	Factor	Factor	%	Factor
F13T5	2	0.28	26.3	>.75	.80	3.04	<25	< 1.7
F8T5	2	0.28	18.8	>.55	.95	5.05	<15	<1.7
(1) F13T5 & (1)F8T5	2	0.28	22.0	>.60	.88	4.00	<20	<1.7

Application and Performance Specification Information Subject to Change without Notification.

#### Performance:

- Designed in accordance with ANSI C82.1
- Compatible with PLC and IR systems

#### Safety:

- No PCB's
- UL listed (Class P, Indoor and Type 1 Outdoor, HL)
- CSA Certified (cUL)
- Thermally Protected

#### Application:

- Minimum Starting Temperature: 50° F, 10° C
- Maximum Ballast Case Temperature not to exceed 90° C
- Sound Rated: A
- Remote Mounting: 20 feet with minimum 18 AWG ( refer to TechNote # 7b for other wire sizes/lengths )
- Starter is built in as integral component.

#### Mechanical:

- Length: 6 7/16"
- Width: 1 7/8"
- Height: 3 1/32"
- Side mounting bracket provided with (2) sets of 1/8" holes on 2.375" and 1.0"centers.
- Lead Length ( inches, ± 1 ):
 

Black	16
Reds,Blues,Yels	16
- Weight: 1.1 Lbs.
- Qty Per Carton: 30

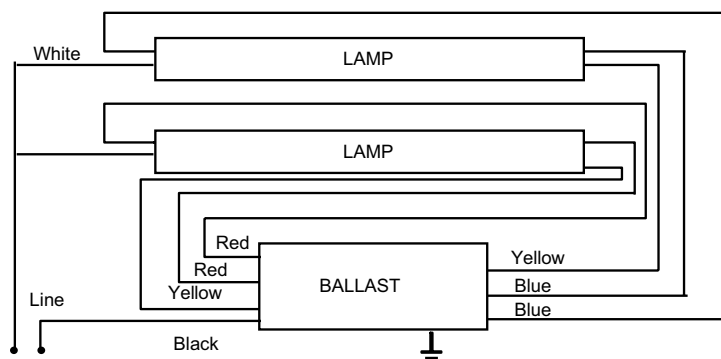
#### Overall Mounting

6" 6"

#### Warranty:

The manufacturer warrants to the purchaser that each electronic ballast will be free from defects in material or workmanship for a period of 24 months from date of manufacture when properly installed and under normal conditions of use.

Manufactured in China



Ballast must be grounded. Install in accordance with National Electric Code.