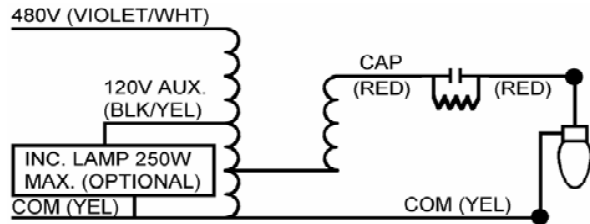


Catalog Number: H40048TAC4M
Document #: 010-9958-05

400W MERCURY VAPOR

Lamp Type	400W MV
ANSI Designation	H33
Line Voltage	480 (120V Aux)
Regulation	10%
Frequency	60 HZ
Recommended Fuse	5
Circuit Type	CWA
Insulation Class	180° C
Capacitor Value	35MF
Capacitor Volt Rating	330 VOLTS
Capacitor Temp Rating	90° C
Capacitor Part Number	005-1421-MF
Lamp Starter	N/A
Winding Material (Pri/Sec)	Cu/Cu

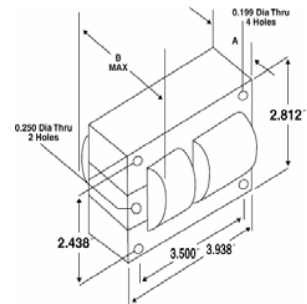
Replaces Catalog #	103033
Samples Available	Yes
Production Available	Yes
Agency Certification	UL & CSA
Maximum Distance to Lamp	N/A



FEATURES: Utilizes Precise-Wound Coils

Electrical Characteristics

Line Volt	Power Factor	Line Current in Amps			Input Watts	Open Circuit Volts	Drop Out Volts	Min. Start Temp.	UL Temp. Code
		Oprtng	Open	Start					
480	High	1.00	0.17	0.95	458	245	270	-30°C	C



Reference Drawing

Test Limits

Line Volt	Power Factor	Line Current, Amps						Open Circuit Voltage (V)		Short Circuit Current (A)	
		Operating		Open		Short		Min.	Max.	Min.	Max.
		Min.	Max.	Min.	Max.	Min.	Max.	Min.	Max.	Min.	Max.
480	High	0.91	1.11	0.08	0.24	0.75	1.20	220	270	4.50	5.70

Physical Characteristics

Overall Dimensions, Inches				Mounting Holes (In.)			Bracket Mntng Dim		Capacitor Dim.		Ballast Net Weight	Lead Length Inches
Length	Height	Stack	Over Coils	Diam	Length	Width	Length	Width	Dia.	Length		
4.75	4.25	1.61	3.41	0.25	4.38	3.88	-	-	1.80	4.60	9.50	12-14

Application and Performance Specification Information Subject to Change without Notification.