

USA / Canada - Class CC Fuses (CCMR, KLDR and KLKR Series)

Class CC Fuses

Fast-Acting KLKR fuses provide fast-acting protection to equipment containing surge sensitive components. Use KLKR Fuses for non-inductive loads not requiring time-delay.

CCMR fuses (formerly KLMR) are specifically designed to withstand sustained starting currents of small motors. The CCMR Fuses provide short-circuit protection for motor branch-circuits.

KLDR fuses are specifically designed to withstand the momentary high magnetizing currents of control transformers, solenoids, and similar inductive loads.

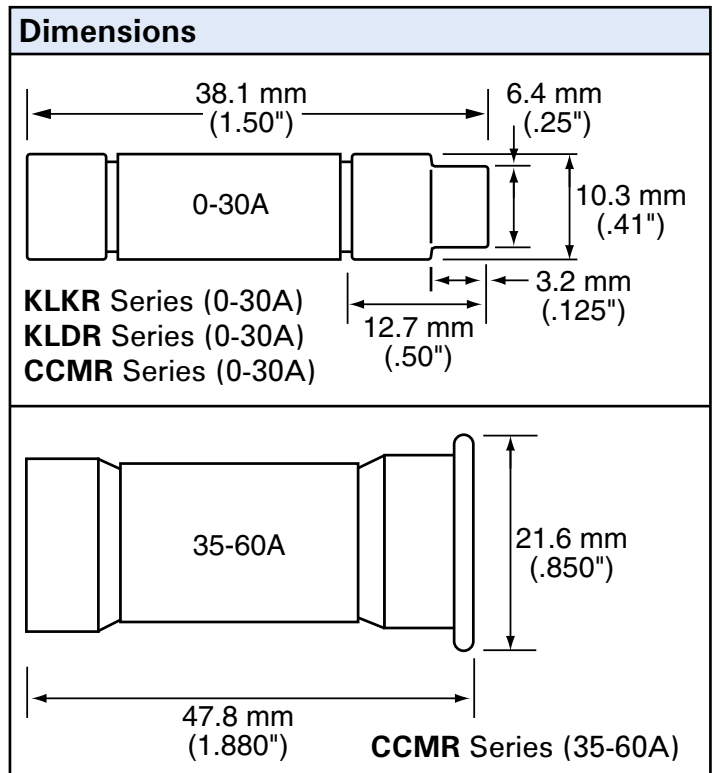


Product Characteristics	
Voltage Rating	AC: 600 Volts DC: 250 Volts (CCMR 0.2 to 2A) (CCMR 4.5 to 10A) (CCMR 35 to 60A)
	300 Volts (CCMR 2.25 to 4A)
	300 Volts (KLDR)
	300 Volts (KLKR)
	500 Volts (CCMR 2 to 30A)
RoHS compliant items	KLKR – 0.1A to 30A CCMR – 25A and 30A KLDR – 0.1A to 7.5A, 25A and 30A

Agency Approvals		
Agency	File Number	Ampere Range
	E81895	0.1 to 30A (KLDR/KLKR) 0.2 to 60A (CCMR)
	LR29862	0.1 to 30A (Class 1422-02) 35 to 60A (Class 1422-30)

NOTES:	
KLKR Series:	UL listed Fast-Acting Class CC per UL248 JDDZ and CSA Certified.
KLDR Series:	UL listed Time-Delay Class CC per UL248 JDDZ and CSA Certified.
CCMR Series:	UL listed Time-Delay Class CC per UL248 JDDZ, 35-60A UL Listed Time-Delay Class CD, and CSA Certified.

Electrical Characteristics for Series		
% of Ampere Rating	Ampere Rating	Opening Time
110%	0-30A	15 minutes, Minimum
135%	0-30A	1 hour, Maximum
200%	0-30A	4 minutes, Maximum
200% Time-delay		12 seconds, Minimum



Technical Data are Subject to Change without Notice. Dimensions in mm (Inches).

USA / Canada - Class CC Fuses (CCMR Series, 0.2 to 30 Amp)

Electrical Specifications by Catalog Number
CCMR Series (0.2 to 30 Amperes)

Catalog Number & Amp. Code	Amp. Rating (A)	Interrupting Rating	Nominal Cold Resistance (Ohms)	Agency Approvals UL CSA
578.200	0.2	AC 200,000 Ampere DC 20,000 Ampere	68.4	x x
578.250	0.25		43.3	x x
578.300	0.3		28.6	x x
578.500	0.5		7.62	x x
578.600	0.6		8.2	x x
578.800	0.8		4.013	x x
578001.	1		2.85	x x
5781.25	1.25		1.687	x x
57801.4	1.4		1.39	x x
57801.5	1.5		1.24	x x
57801.6	1.6		0.9894	x x
57801.8	1.8		0.7783	x x
578002.	2		0.485	x x
5782.25	2.25		0.337	x x
57802.5	2.5		0.3375	x x
57802.8	2.8		0.2400	x x
578003.	3		0.2188	x x
57803.2	3.2		0.1855	x x
57803.5	3.5		0.1346	x x
578004.	4		0.121	x x
57804.5	4.5		0.0835	x x
578005.	5		0.07780	x x
57805.6	5.6		0.0535	x x
578006.	6		0.0517	x x
5786.25	6.25		0.0464	x x
578007.	7	0.0369	x x	
57807.5	7.5	0.027	x x	
578008.	8	0.0259	x x	
578009.	9	0.0193	x x	
578010.	10	0.0135	x x	
578012.	12	0.0121	x x	
578015.	15	0.00795	x x	
57817.5	17.5	0.00495	x x	
578020.	20	0.00360	x x	
578025.	25	0.00306	x x	
578030.	30	0.00257	x x	



CCMR Series, 0.2 to 30 Amperes

UL Listed Time-Delay Class CC fuses per UL 248 JDDZ and CSA Certified, 600 Volt AC, 0.2 to 30 Amperes.

Specifications

For space saving protection of motor circuits up to 40 HP*, we recommend POWR-PRO® CCMR series fuses.

These fuses are the only true dual-element time-delay CC fuses specifically engineered for motor branch circuit protection. They provide Type 2 "No Damage" protection to both NEMA-rated and the more sensitive IEC (International Electrotechnical Commission) type motor circuit components.

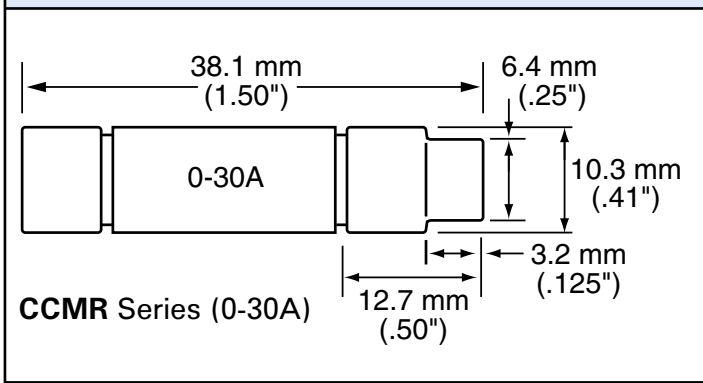
CCMR series fuses are available in larger sizes — Class CD from 35 to 60 amperes!

No other 600V fuse is available with this current carrying capacity in a package this small.

**Consult the Motor Protection Tables in Fuseology in the Technical Section for specific motor sizing information.*

For more information and Average Time Current Curves on CCMR series Class CC fuses, see the documentation.

Dimensions



Technical Data are Subject to Change without Notice. Dimensions in mm (Inches).

USA / Canada - Class CD Fuses (CCMR Series, 35 to 60 Amp)

Electrical Specifications by Catalog Number
CCMR Series (35 to 60 Amperes)

Catalog Number & Amp. Code	Amp. Rating (A)	Interrupting Rating	Nominal Cold Resistance (Ohms)	Agency Approvals UL CSA	
578035.	35	AC 200,000 Ampere	0.00408	x x	
578040.	40		0.00290	x x	
578045.	45		0.00229	x x	
578050.	50		DC 20,000	0.00169	x x
578060.	60		Ampere	0.00112	x x



CCMR Series, 35 to 60 Amperes

UL Listed Time-Delay Class CD fuses per UL 248 JDDZ and CSA Certified, 600 Volt AC, 35 to 60 Amperes.

Specifications

For space saving protection of motor circuits up to 40 HP*, we recommend POWR-PRO® CCMR series fuses.

These fuses are the only true dual-element time-delay CD fuses specifically engineered for motor branch circuit protection. They provide Type 2 "No Damage" protection to both NEMA-rated and the more sensitive IEC (International Electrotechnical Commission) type motor circuit components.

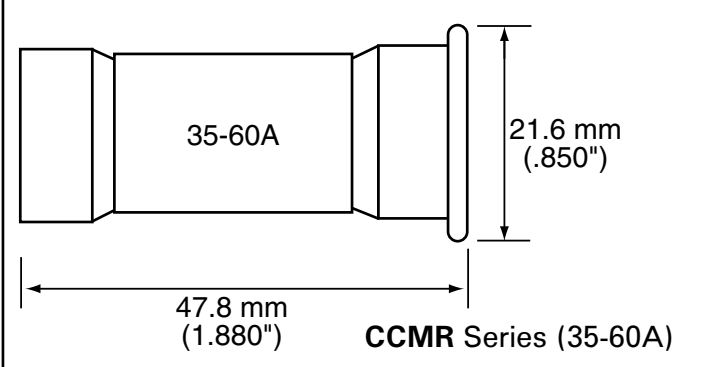
No other 600V fuse is available with this current carrying capacity in a package this small.

CCMR series fuses are available in smaller sizes — Class CC from 0.2 to 30 amperes!

**Consult the Motor Protection Tables in Fuseology in the Technical Section for specific motor sizing information.*

For more information and Average Time Current Curves on CCMR series Class CD fuses, see the documentation.

Dimensions



Technical Data are Subject to Change without Notice. Dimensions in mm (Inches).

USA / Canada - Class CC Fuses (KLDL Series, 0.1 to 30 Amp)

Electrical Specifications by Catalog Number
KLDL Series (0.1 to 30 Amperes)

Catalog Number & Amp Code	Amp Rating (A)	Interrupting Rating	Nominal Cold Resistance (Ohms)	Agency Approvals UL CSA
527.100	0.1	AC 200,000 Ampere DC 20,000 Ampere	246	x x
527.125	0.125		134.9	x x
527.150	0.15		96	x x
527.187	0.1875		66.4	x x
527.200	0.2		57.8	x x
527.250	0.25		31.61	x x
527.300	0.3		35.3	x x
527.400	0.4		23.0	x x
527.500	0.5		10.7	x x
527.600	0.6		7.34	x x
527.750	0.75		6.20	x x
527.800	0.8		6.20	x x
527001.	1		1.068	x x
5271.12	1.125		2.94	x x
5271.25	1.25		2.33	x x
52701.4	1.4		1.5	x x
52701.5	1.5		0.898	x x
52701.6	1.6		0.625	x x
52701.8	1.8		0.486	x x
527002.	2		0.55	x x
5272.25	2.25		0.52	x x
52702.5	2.5		0.333	x x
52702.8	2.8		0.26	x x
527003.	3		0.21	x x
52703.2	3.2		0.171	x x
52703.5	3.5		0.239	x x
527004.	4		0.118	x x
52704.5	4.5		0.082	x x
527005.	5		0.0440	x x
52705.6	5.6		0.0334	x x
527006.	6	0.0315	x x	
5276.25	6.25	0.03	x x	
527007.	7	0.02674	x x	
52707.5	7.5	0.0205	x x	
527008.	8	0.0259	x x	
527009.	9	0.0193	x x	
527010.	10	0.0135	x x	
527012.	12	0.0121	x x	
527015.	15	0.00795	x x	
52717.5	17.5	0.00495	x x	
527020.	20	0.0036	x x	
527025.	25	0.00306	x x	
527030.	30	0.00257	x x	



KLDL Series, 0.1 to 30 Amperes

UL Listed Time-Delay Class CC fuses per UL 248 JDDZ and CSA Certified, 600 Volt AC, 0.1 to 30 Amperes.

Specifications

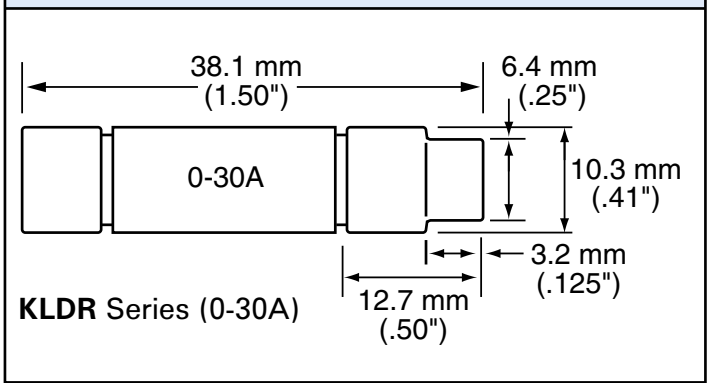
KLDL fuses are time-delay fuses specifically designed for the protection of control transformers, solenoids and similar inductive components with high magnetizing currents during the first half-cycle.

They closely match most control power transformer characteristics, which permits the fuses to be sized in accordance with the latest revisions of UL 508 (Industrial Control) and UL 845 (Motor Control Centers).

When the time delay of KLDL fuses is adequate to carry motor starting current, they provide excellent protection of motor branch circuits containing IEC or NEMA rated motor controllers or contactors.

For more information and Average Time Current Curves on KLDL series Class CC fuses, see the documentation.

Dimensions



Technical Data are Subject to Change without Notice. Dimensions in mm (Inches).

USA / Canada - Class CC Fuses (KLKR Series, 0.1 to 30 Amp)

**Electrical Specifications by Catalog Number
KLKR Series (0.1 to 30 Amperes)**

Catalog Number & Amp Code	Amp Rating (A)	Interrupting Rating	Nominal Cold Resistance (Ohms)	Agency Approvals UL CSA
542.100	0.1	AC 200,000 Ampere DC 20,000 Ampere	79.33	x x
542.125	0.125		56.52	x x
542.200	0.2		28.21	x x
542.250	0.25		19.22	x x
542.300	0.3		15.10	x x
542.500	0.5		6.95	x x
542.750	0.75		1.994	x x
542001.	1		0.2342	x x
54201.5	1.5		0.225	x x
542002.	2		0.135	x x
54202.5	2.5		0.0906	x x
542003.	3		0.0776	x x
54203.5	3.5		0.0562	x x
542004.	4		0.0468	x x
542005.	5		0.0332	x x
542006.	6		0.0238	x x
542007.	7		0.0208	x x
542008.	8		0.0177	x x
542009.	9		0.0151	x x
542010.	10		0.01325	x x
542012.	12		0.00852	x x
542015.	15		0.0074	x x
542020.	20		0.00511	x x
542025.	25		0.003775	x x
542030.	30		0.002954	x x



KLKR Series, 0.1 to 30 Amperes

UL Listed Fast-Acting Class CC fuses per UL 248 JDDZ and CSA Certified, 600 Volt AC, 0.1 to 30 Amperes.

Specifications

KLKR series Class CC fuses are fast acting fuses intended for general purpose branch circuit protection.

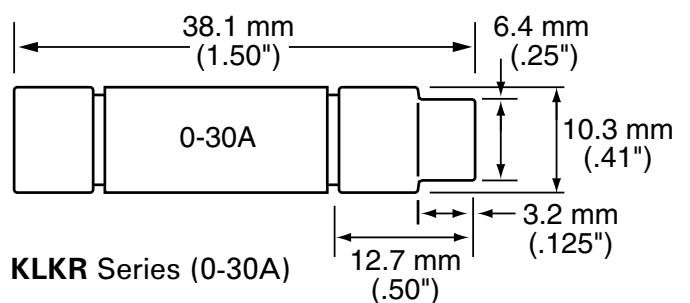
Their compact size, fast acting overload response, and highly current-limiting design make them ideal for use in OEM equipment and control panels.

Solid state devices such as SCRs and other electronic equipment generally require fast acting protection.

Use KLKR Fuses for non-inductive loads not requiring time-delay.

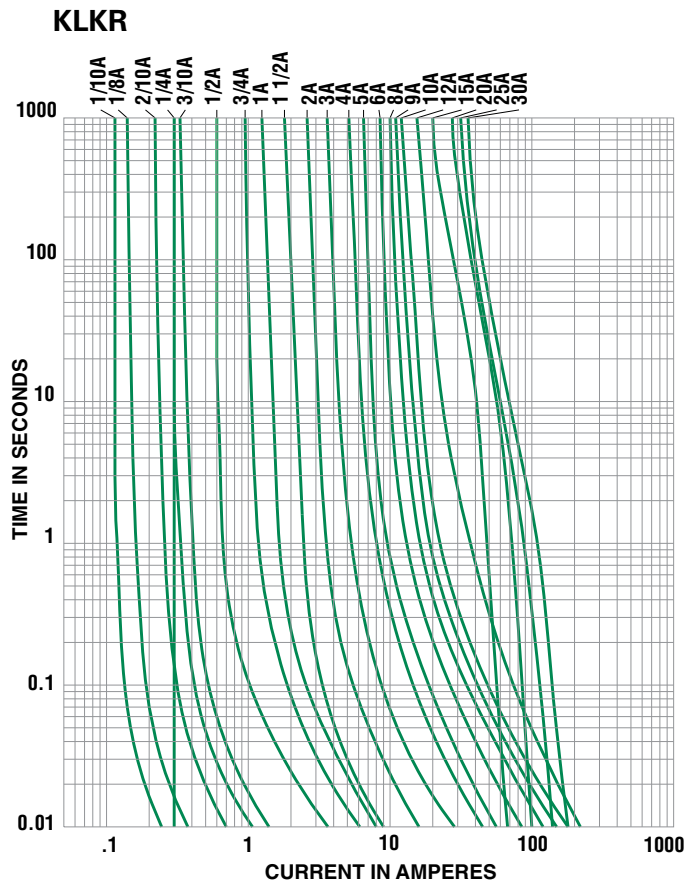
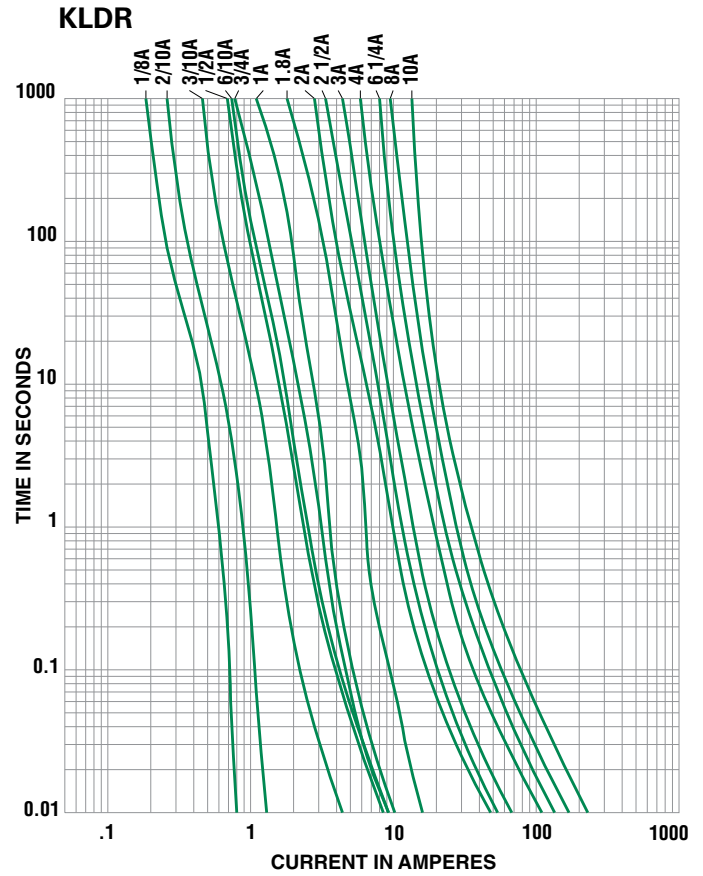
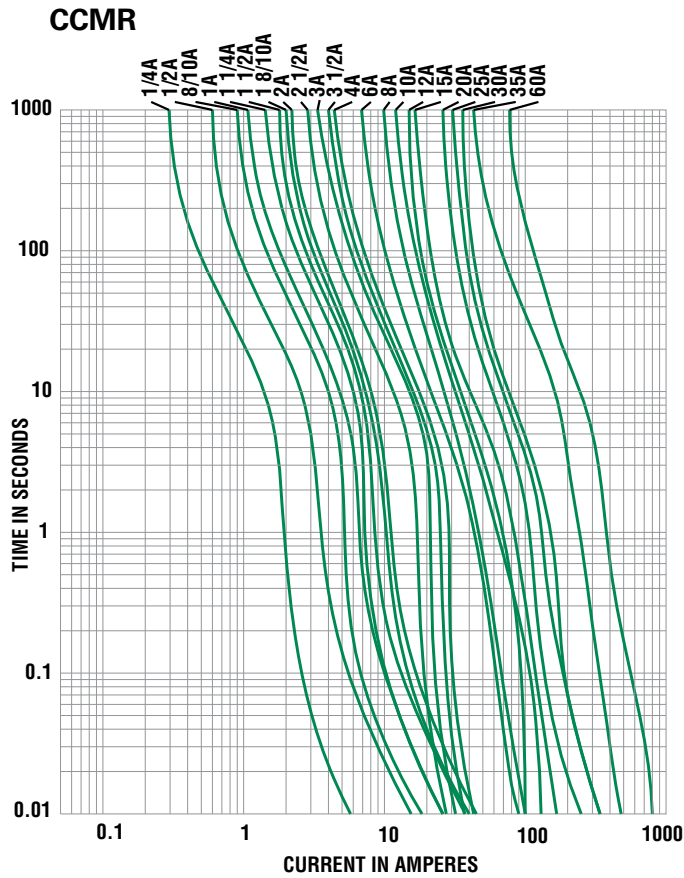
For more information and Average Time Current Curves on KLKR series Class CC fuses, see the documentation.

Dimensions

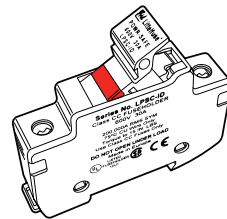


Technical Data are Subject to Change without Notice. Dimensions in mm (Inches).

Average Time Current Curves (CCMR, KLDR and KLKR Series)

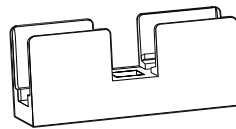


Recommended Fuse Holders and Blocks



“Dead Front” Holders (0 to 30A)

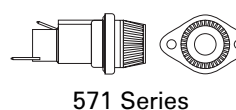
Indicating Catalog No.	Non-Indicating Catalog No.	No. of Poles
LPSC001ID	LPSC001	1
LPSC002ID	LPSC002	2
LPSC003ID	LPSC003	3
LPSC004ID	LPSC004	4



Class CC/CD Fuse Blocks

Class CC (0 to 30A)	Class CD (35 to 60A)	No. of Poles
L60030C-1C	L60060C-1C	1
L60030C-2C	L60060C-2C	2
L60030C-3C	L60060C-3C	3

Box Lug Catalog Numbers shown, Versions 30A with Screw & Pressure Plate/Q.C. Terminal, Screw/Q.C. Terminal, and Adder Block 60A available (see Fuse Block Section).



571 Series



572 Series

Panel Mount Holders (0 to 30A)

Standard Catalog No.	Watertight Catalog No.	Bottom Terminal
571OCC	571OCCP	Straight
571RCC	571RCCP	Rt. Angle
572OCC	572OCCP	Straight
572RCC	572RCCP	Rt. Angle