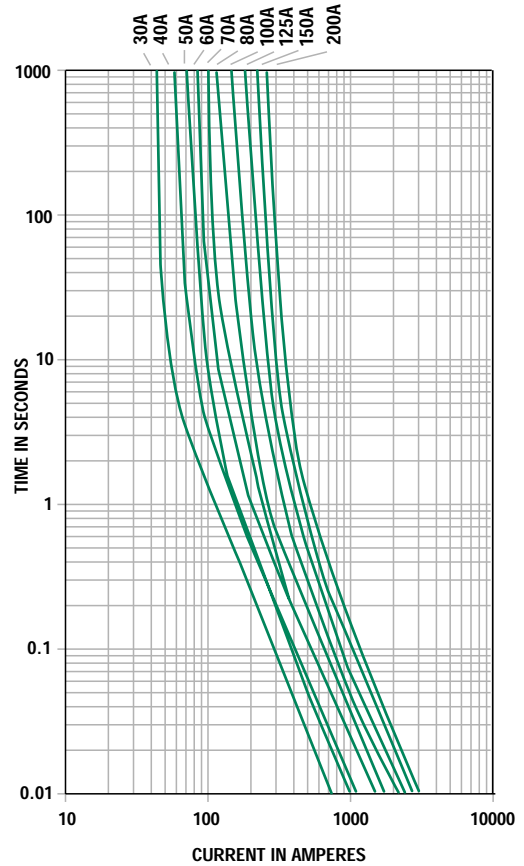
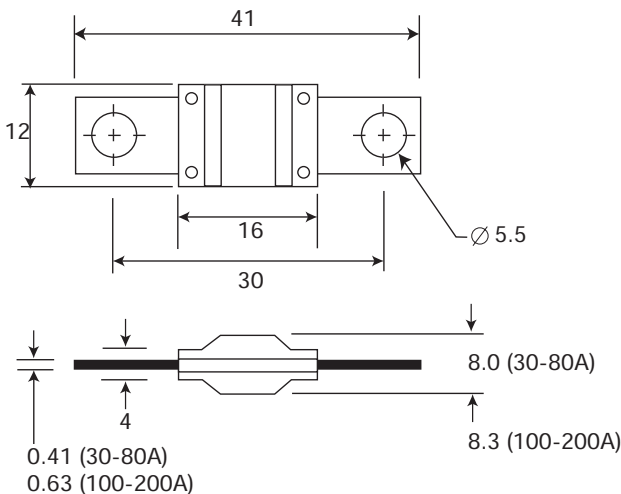


MIDI® Fuse

The MIDI Fuse offers a bolt-on space saving fuse for high current wiring protection and provides time delay characteristics with "Diffusion Pill Technology".



TIME-CURRENT CHARACTERISTICS

% of Rating	30-125		150-200	
	Min	Max	Min	Max
75	—	—	100 hrs	—
100	100 hrs	—	—	—
110	4 hrs	—	—	—
150	90 s	3600 s	—	—
200	5 s	100 s	1 s	15 s
300	0.5 s	3 s	.3 s	3 s
500	0.1 s	1 s	0.1 s	1 s

Interrupting Rating: 2,000A @ 32 VDC

Voltage Rating: 32 VDC

Ambient Temp.: -40°C to +125°C

MIDI Fuse Table

Part Number	Current Rating (A)	Typ. Voltage Drop at Rated Current (mV)
498030	30	65
498040	40	65
498050	50	65
498060	60	68
498070	70	70
498080	80	58
498100	100	60
498125	125	71
498150*	150	77**
498200*	200	77**

* Parts with asterik are short circuit protectors only.

** Voltage drop measurements for short circuit protectors are at 75% of rated current.

MIDI Fuse Series Temperature Rerating Curve

