

## CORDS & ELECTRICAL

### 3 CONDUCTOR INTERNATIONAL POWER SUPPLY CORDS

AUSTRALIA

SAA

### 3 CONDUCTOR POWER SUPPLY CORD APPLICATIONS:

- With Equipment to be Used in Australia
- On Computer Related Equipment
- With Communication Equipment and Other Electronics

### CHARACTERISTICS

#### OPERATING TEMPERATURE:

- 15°C to 70°C

#### VOLTAGE RATING:

- 250 Volt

#### COLOR DESCRIPTION:

- Color Code: Blue, Brown, Green/Yellow
- Jacket Color: Black

#### PRODUCT DESCRIPTION:

- Conductor: Stranded Bare Copper
- Insulation: Color-Coded PVC
- Jacket: PVC

### SPECIFICATIONS

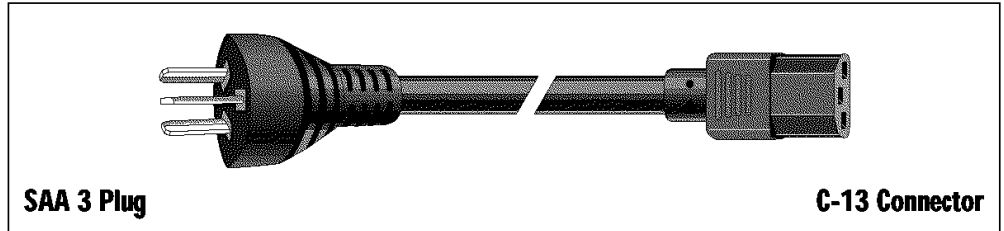
- SAA – Australia



Australia

### AVAILABILITY

- 25 Piece Packages



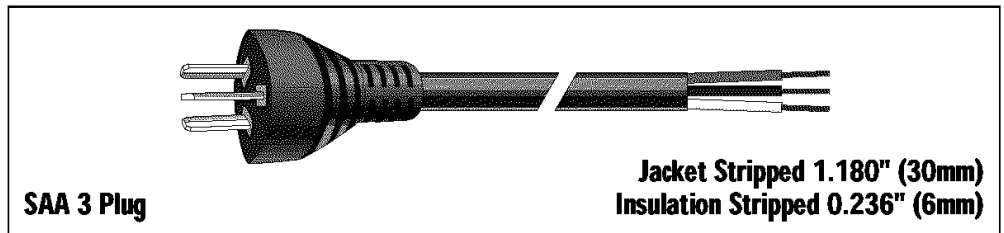
SAA 3 Plug

C-13 Connector

#### UNSHIELDED

#### CORDAGE TYPE: HO5VVF3G1.00

Part No.	Length		Conductor				Diameter Nominal		Power Rating		
	Ft.-in.	m	Approx. AWG	mm <sup>2</sup>	Strand	mm	In.	mm	Watts	Amps	Volts
910	8.2	2,5	16	1,00	31/32	31 x ,20	.270	6,80	2500	10	250



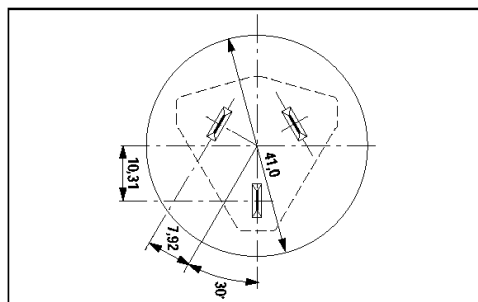
SAA 3 Plug

Jacket Stripped 1.180" (30mm)  
Insulation Stripped 0.236" (6mm)

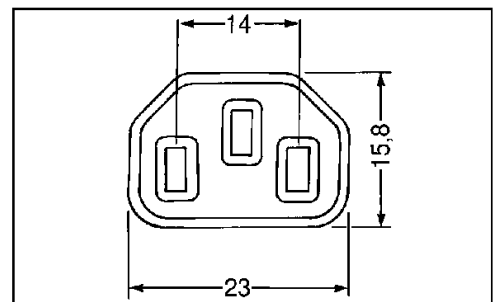
#### UNSHIELDED

#### CORDAGE TYPE: HO5VVF3G1.00

Part No.	Length		Conductor				Diameter Nominal		Power Rating		
	Ft.-in.	m	Approx. AWG	mm <sup>2</sup>	Strand	mm	In.	mm	Watts	Amps	Volts
911	8.2	2,5	16	1,00	31/32	31 x ,20	.270	6,80	2500	10	250



P/N 910 and 911 PLUG



P/N 910 CONNECTOR