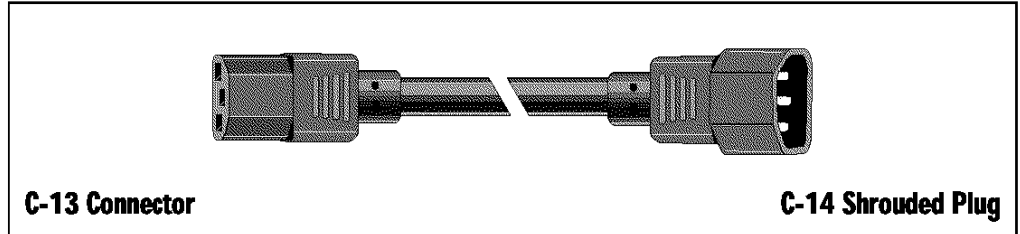


UNIVERSAL POWER JUMPER CORD

**INTERNATIONAL
AGENCIES
APPROVED**

POWER JUMPER CORD APPLICATIONS:

- To Connect Accessories and Peripherals to Computers and Electronic Test Equipment
- Internationally Based on IEC 320 Connector System



C-13 Connector

C-14 Shrouded Plug

CHARACTERISTICS

OPERATING TEMPERATURE:

- -15°C to 70°C

VOLTAGE RATING:

- 250 Volt

COLOR DESCRIPTION:

- Color Code: Blue, Brown, Green/Yellow
- Jacket Color: Black

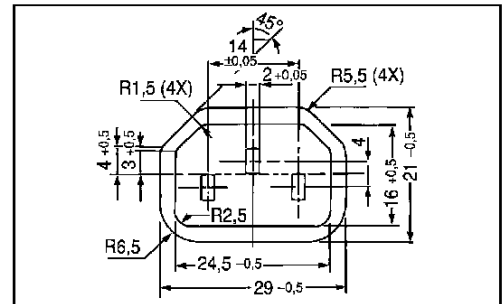
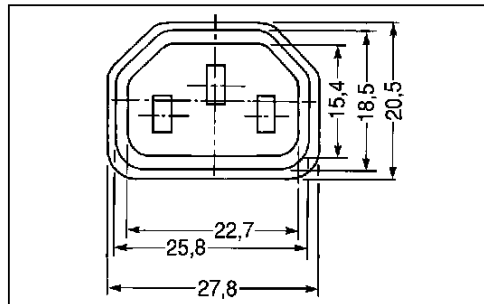
PRODUCT DESCRIPTION:

- Conductor: Stranded Bare Copper
- Insulation: Color-Coded PVC
- Jacket: PVC

UNSHIELDED

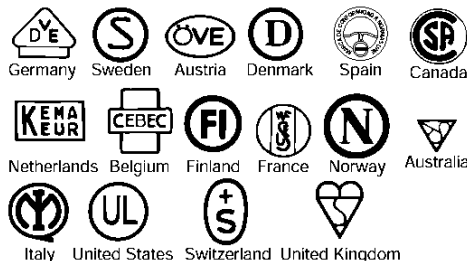
CORDAGE TYPE: HARSJT3X18AWG

Part No.	Length		Conductor			Diameter		Power Rating			
	Ft.-in.	m	Approx. AWG	mm ²	Strand	mm	Nominal In.	mm	Watts	Amps	Volts
953-BL	8.2	2,5	18	1,00	56/34	56 x 0,15	0.314	8,0	2500	10	250



SPECIFICATIONS

- VDE – Germany
- SEMKO – Sweden
- OVE – Austria
- DEMKO – Denmark
- N.V. KEMA – Netherlands
- SETI – Finland
- UNE – Spain
- CEBEC – Belgium
- UTE – France
- NEMKO – Norway
- UL – United States
- CSA – Canada
- SEV – Switzerland
- SAA – Australia
- CEI – Italy
- BSI – United Kingdom



AVAILABILITY

- 25 Piece Packages