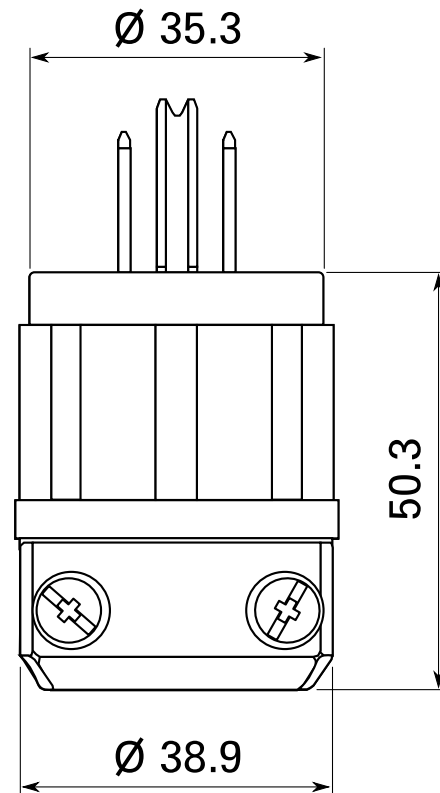


Catalog No. 5266-C



Rewireable Mains Line Plug, USA/Canada/Mexico,  
15 Amp, 2P + E, 125 Volt AC, NEMA 5-15P,  
Straight Blade, Industrial Grade, Black/White

**STANDARDS AN CERTIFICATIONS**

NEMA: WD-6  
ANSI: C-73  
UL 498: File E13399  
UL Fed Spec WC-596: File E13393  
CSA C22.2 No. 42: File LR-406  
NOM: 057

**ELECTRICAL SPECIFICATIONS**

Grounding: 2 Pole, 3 Wire, Grounding  
Ratings: 15 Amp, 125 Volt AC  
Temperature Rise: Max 30°C after 250 cycles  
OL at 200 percent rated current  
Dielectric Voltage: Withstands 2000V per UL498  
Current Interrupting: Certified for current interrupting at full rated current

**ENVIRONMENTAL SPECIFICATIONS**

Flammability: Rated V-2 per UL94  
Operating Temperature: -40°C to +60°C

**MATERIAL SPECIFICATIONS**

Body Material: Super Tough Nylon  
Back Cover: Thermoplastic  
Wire Module: Nylon  
Cord-Clamp: Nylon  
Clamp Insert: Nylon  
Blades/Contacts: Solid Brass  
Terminal Screws: Brass  
Assembly Screws: Steel, Zinc Plated  
Color: Black/White

**MECHANICAL SPECIFICATIONS**

Terminal ID: Brass-Hot, Green-Ground, Silver-Neutral  
Terminal Accom.: 18 to 10 AWG (0.83 mm<sup>2</sup> to 5.27 mm<sup>2</sup>)  
Product ID: Ratings and NEMA I.D. permanently marked on device  
Cord Range Diameter: 0.245" to 0.700" (Ø 6.2 mm to Ø 17.8 mm)

Tolerance	Approved		Date		www.biagmbh.com Copyright © B-I-A GmbH, Germany		
	Updated		Date		<b>B-I-A Vertriebs GmbH</b>		
	Drawn	jup	Date	2006-11-14	www.biaonline.com info@biagmbh.com		
	Catalog No.	<b>5266-C</b>			P/N Line	<b>101259</b>	<b>L1000</b>
Drawing No.	005266C-00	Rev. A	Material	See Specifications	Unit	mm	
			Scale				