

Black & White™ 50Amp Non-NEMA Locking Devices

Rugged, Secure Connections for Construction & Manufacturing Sites

Black & White 50Amp Non-NEMA Locking devices are designed for faster wiring and longer life. Made from tough, impact resistant nylon housings and metal shrouds, these plugs, connectors, receptacles, and flanged inlets are designed for rugged environments like construction sites, commercial shipyards, & convention centers.

Fabricated for broad utility, they easily mate with competitors' devices and are certified to meet UL, CSA, and NOM standards. All devices are RoHS compliant 50Amp device line your environmentally responsible choice.

We offer a full complement of flip lids and boots for usage in dust-laden environments and marine areas.

Non-NEMA Locking Configurations:

Standard Locking

- 2P, 3W 250V DC/600V AC
- 3P, 4W 250V DC/600V AC
- Plugs, Connectors, Receptacles, & Flanged Inlets
- Cast Metal Flip Lid

California-Style Locking

- 2P, 3W 125V, 250V & 480V
- 3P, 4W 125V/250V, 3Ø 250V & 3Ø 480V
- Plugs, Connectors, Receptacles, & Flanged Inlets
- Cast Metal Flip Lid

Corrosion Resistant Locking

- 2P, 3W 125V • 3P, 4W 125V/250V
- Plugs, Connectors, Receptacles, & Flanged Inlets with nickel plated contacts & blades plus stainless steel shrouds & screws
- Thermoplastic Flip Lid & Boots



Innovative Design Means Easier-to-Wire and Longer Life

Working closely with commercial and industrial electricians, these engineers imagined something better. The new Black & White 50Amp devices wire faster and with greater accuracy. Their construction extends device life and reduces equipment downtime.

Easier-to-Wire



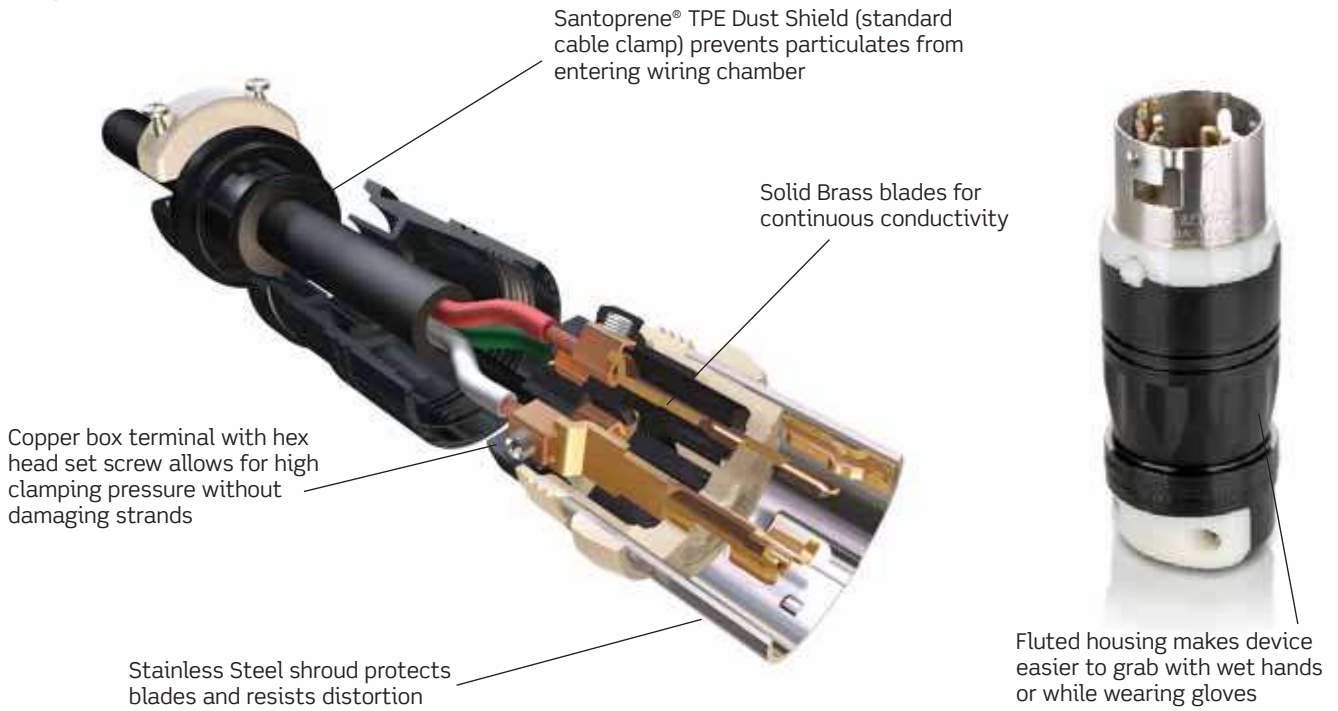
- Screwless face module for plugs & connectors
- External cable clamp with screws in one plane
- Screwless cable clamp for plugs and connectors
- Single piece flanged inlet that wires in one step

Longer Life

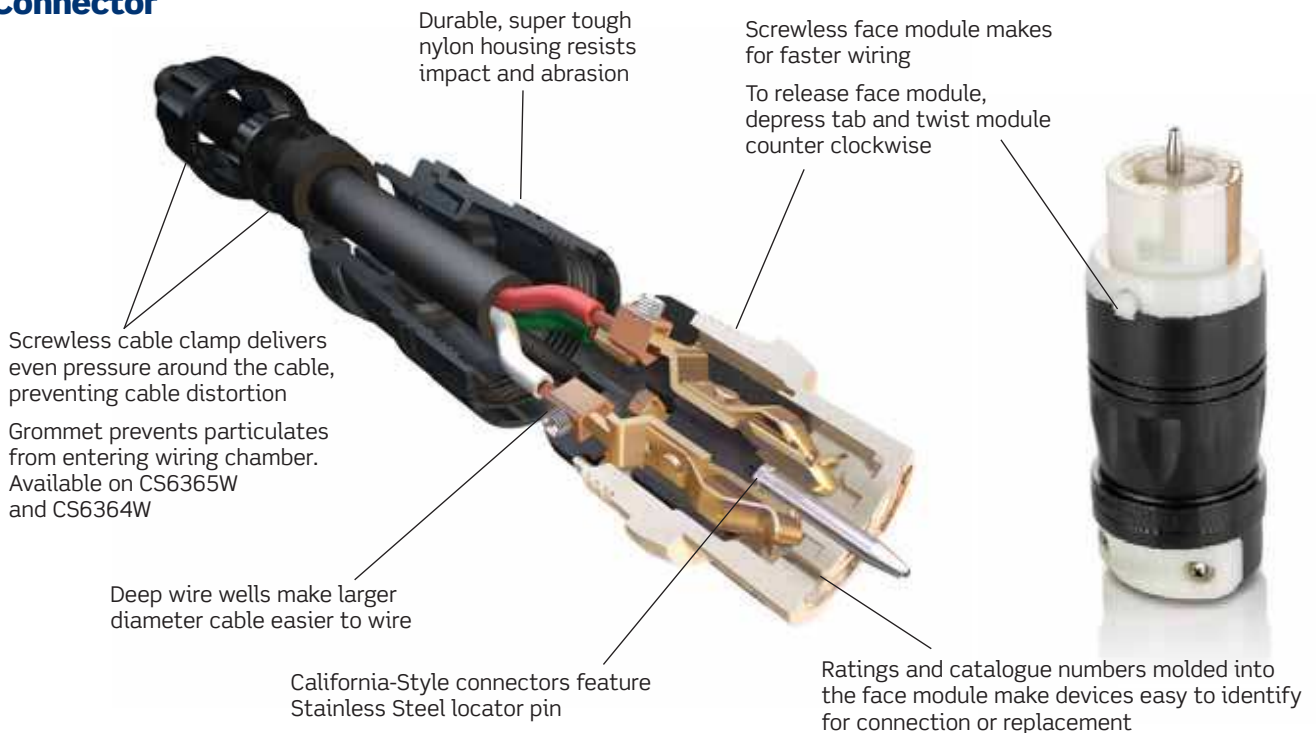


- Receptacle and plug metal shrouds for reliable and durable connections
- Single piece stainless steel strap for continuous conductivity and corrosion resistance

Plug



Connector



STANDARDS & CERTIFICATIONS			
RoHS Compliant	UL 498	CSA C22.2 No. 42	NOM
✓	#E13399	✓	✓

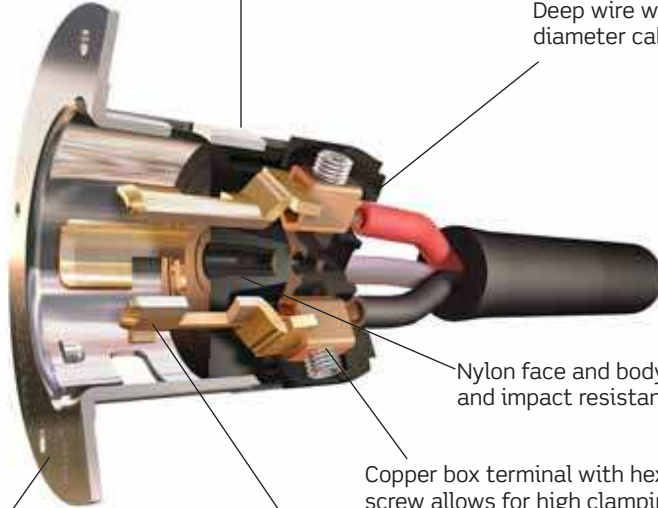
Flanged Inlet

Single piece assembly for fast, easy wiring and maintenance

Zinc plated steel casing protects face module yet still allows for quick terminal access

Molded-in strip gauge makes for fast, accurate wire stripping

Deep wire wells make larger diameter cable easier to wire



Nylon face and body for heat and impact resistance

Copper box terminal with hex head set screw allows for high clamping pressure without damaging strands

Zinc plated steel casing resists impact, abuse and distortion

Solid Brass blades are standard for continuous conductivity

CR devices feature nickel plated Brass contacts and zinc plated Brass casing for corrosion resistance

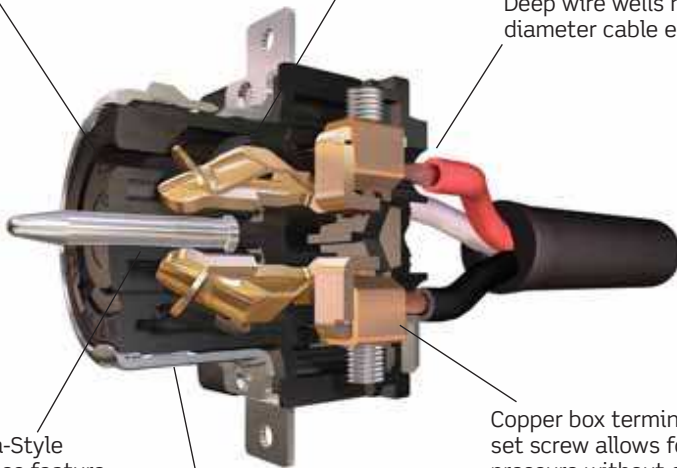
Receptacle

Reinforced nylon face, body, and back for heat and impact resistance

Solid Brass contacts for continuous conductivity

Ratings and catalogue numbers molded into face module make for fast, easy identification or replacement

Deep wire wells make larger diameter cable easier to wire



California-Style receptacles feature Stainless Steel locator pin

Copper box terminal with hex head set screw allows for high clamping pressure without damaging strands

Metal shroud makes for reliable and durable connection to shrouded plugs

Single piece, Stainless Steel mounting strap for continuous conductivity and secure ground path

STANDARDS & CERTIFICATIONS

RoHS Compliant	UL 498	CSA C22.2 No. 42	NOM
✓	#E13399	✓	✓

CS6365C



CS6364C



6360CR



CS8375



Configurations

POLES/ WIRES	AMPS	VOLTS PHASE	TYPE	PLUG	CONNECTOR	RECEPTACLE	FLANGED INLET
2-Pole 3-Wire	50	250V DC/ 600V AC	Standard	3763C	3762C	3771	3777
	50	125V	California-Style	CS6361C	CS6360C	CS6370	CS6377
		250V	California-Style	CS8265C	CS8264C	CS8269	CS8275
		480V	California-Style	CS8465C	CS8464C	CS8469	CS8475
		125V	Corrosion Resistant	6361CR	6360CR	6370CR	6377CR
3-Pole 4-Wire	50	250V DC/ 600V AC	Standard	3765C	3764C	3769	3775
		250V DC/ 600V AC	Standard	7765C	7764C	7379	7958
	50	125/ 250V	California-Style	CS6365C CS6365W	CS6364C CS6364W	CS6369	CS6375
		3Ø 250V	California-Style	CS8365C	CS8364C	CS8369	CS8375
		3Ø 480V	California-Style	CS8165C	CS8164C	CS8169	CS8175
	50	125/ 250V	Corrosion Resistant	6365CR	6364CR	6369CR	6375CR

7770



7788CR



7715CR



7717CR



L8003



Accessories

CAT. NO.	Metal Flip Lid	Thermoplastic Flip Lid	Boots		Wire Mesh Connection Grips
			Type	Black	
	7770	7788CR	Plug	7715CR	7715CR-Y
			Connector	7717CR	7717CR-Y
					L8003 L8004 L8005 L8006

50A, Non-NEMA Locking Plugs & Connectors

Black & White™ Industrial Grade
2-Pole, 3-Wire Grounding and 3-Pole, 4-Wire Grounding

Connector Cat. No.:

3762C, 3764C, 7764C, CS6360C, CS8264C, CS8464C, CS6364C, CS6364W, CS8364C, CS8164C, 6360CR, 6364CR

Plug Cat. No.:

3763C, 3765C, 7765C, CS6361C, CS8265C, CS8465C, CS6365C, CS6365W, CS8365C, CS8165C, 6361CR, 6365CR

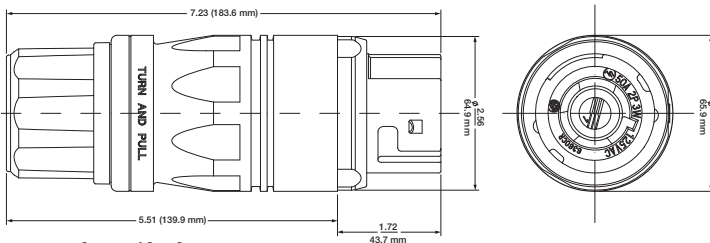
Application

In accordance with the NEC, these devices are suitable for use in all 50 ampere branch circuits of 125V, 250V, 480V, 250V DC/600V AC, or 125/250V industrial installations where UL 498 standards of mechanical & electrical life are specified.

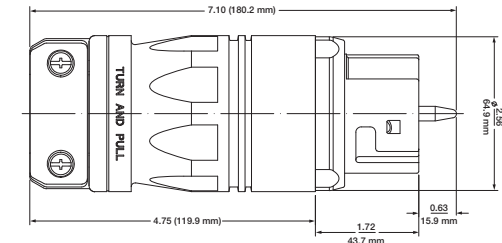


Component	General Purpose		Corrosion Resistant
	Standard Style Locking	California-Style Locking	Standard Locking
Face Module	Nylon	Nylon	Nylon
Wiring Chamber	Nylon	Nylon	Nylon
Assembly Screw	Brass	Brass	Nickel Plated Brass
Housing	Nylon	Nylon	Nylon
Dust Shield	Santoprene® TPE	Santoprene TPE	Santoprene TPE
Terminal Block	0.062inch thick Copper	0.062inch thick Copper	0.062inch thick Nickel Plated Copper
Terminal Set Screw	SS 302/304	SS 302/304	SS 302/304
Ground Shunt	Bronze	Bronze	Nickel Plated Bronze
Ground Post	Brass	Brass	Nickel Plated Brass
Plug Blade	0.100inch thick Brass	0.100inch thick Brass	0.100inch thick Nickel Plated Brass
Plug Blade Shroud	SS 302/304	SS 302/304	SS 302/304
Connector Contact - Spring	0.041inch thick Brass	0.041inch thick Brass	0.041inch thick Nickel Plated Brass
Connector Contact – Binding Plate	0.100inch thick Brass	0.100inch thick Brass	0.100inch thick Nickel Plated Brass
Connector Contact Rivet	Brass	Brass	Nickel Plated Brass
Connector Center Pin – CS Device	----	SS 302/304	----
Standard Cable Clamp	Nylon	Nylon	Nylon
Standard Cable Clamp Screw – Philips head	SS 304	SS 304	SS 304
Screwless Cable Clamp			
Compression Nut	Nylon	Nylon	Nylon
Grommet	Santoprene TPE	Santoprene TPE	Santoprene TPE
Strain Relief	Nylon	Nylon	Nylon
Certifications and Code Compliance	The plugs and connectors listed herein comply with UL 498 (UL file # E13399), CSA C22.2 No. 42 and meet Mexican NOM standards. They are RoHS compliant. 50Amp locking plugs and connectors are suitable for use in accordance with federal, state, county, municipal and local codes.		

50Amp Connector

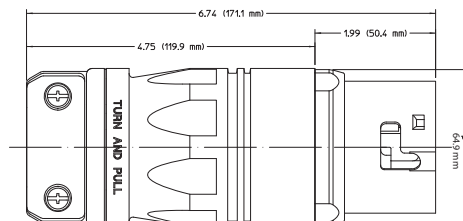
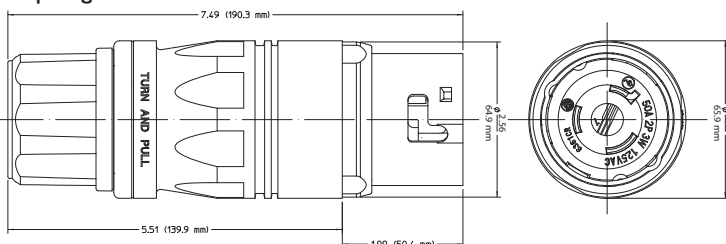


Features Screwless Cable Clamp



Features Standard Cable Clamp

50Amp Plug



SPECIFICATIONS

50Amp, locking blade, 2-pole, 3-wire grounding and 3-pole, 4-wire grounding plugs and connectors shall be Underwriters Laboratories Listed, UL 498, and comply with CSA requirements. Ratings and corrosion resistance as specified on plan.

FEATURES AND BENEFITS

- Durable, super tough nylon housing resists impact and abrasion
- Nylon face module for heat and impact resistance
- Deep wire wells make larger diameter cable easier to wire
- Stainless steel shroud protects blades and resists distortion which prevents connection of disparate devices
- Copper box terminal with hex head set screw allows for high clamping pressure without damaging strands
- Screwless face module makes for faster wiring
- Available with screwless cable clamp for fastest assembly*
- Screwless cable clamp delivers even pressure around the cable preventing cable distortion
- **CR devices** feature nickel plated brass contacts and stainless steel screws for corrosion resistance
- Ratings and catalogue numbers molded into face module and stamped into stainless steel shroud make devices easy to identify for connection or replacement
- Dust Shield (standard cable clamp) or Grommet (screwless cable clamp) prevents particulates from entering wiring chamber



PERFORMANCE SPECIFICATIONS

Electrical	
Dielectric Voltage	Withstands 2000V minimum per UL 498
Maximum Working Voltage	125V or 250V or 480V or 250V DC/600 V AC as rated on device
Current Interrupting	Certified for current interrupting at full rated current
Temperature Rise	Maximum 30°C temperature rise at full-rated current after 150 cycles of overload at 150% rated DC current
Mechanical	
Terminal Identification	X, W, Y, Z and Green for ground
Terminal Accommodation	#10 min to #4 max AWG Solid or Stranded Wire
Product Identification	Ratings and Catalogue No. molded into face and stamped into shroud
Environmental	
Flammability	Rated UL 94 HB
Operating Temperature	-40°C to 75°C (-40°F to 167°F)

PERFORMANCE SPECIFICATIONS

Poles Wires	Description	Device Style	Color	Plug Cat. No.	Connector Cat. No.	Non-NEMA Config.
2-Pole 3-Wire	50A, 250V DC/600V AC	Std Locking	Black-White	3763C	3762C	
	50A, 125V, California-Style	CS Locking	Black-White	CS6361C	CS6360C	
	50A, 250V, California-Style	CS Locking	Black-White	CS8265C	CS8264C	
	50A, 480V, California-Style	CS Locking	Black-White	CS8465C	CS8464C	
	50A, 125V, Corrosion Resistant	CR Std Locking	Yellow-White	6361CR	6360CR	
3-Pole 4-Wire	50A, 250V DC/600V AC	Std Locking	Black-White	3765C	3764C	
	50A, 250V DC/600V AC	Std Locking	Black-White	7765C	7764C	
	50A, 125/250V, California-Style	CS Locking	Black-White	CS6365C	CS6364C	
	50A, 125/250V, California-Style	CS Locking, Screwless Cable Clamp*	Black-White	CS6365W	CS6364W	
	50A, 250V 3Ø, California-Style	CS Locking	Black-White	CS8365C	CS8364C	
	50A, 480V 3Ø, California-Style	CS Locking	Black-White	CS8165C	CS8164C	
	50A, 125/250V, Corrosion Resistant	CR Std Locking	Yellow-White	6365CR	6364CR	

50A, Non-NEMA Locking Receptacles

Black & White™ Industrial Grade 50 Amp Locking Receptacles
2-Pole, 3-Wire Grounding and 3-Pole, 4-Wire Grounding

Cat. Nos.:

3771, CS6370, CS8269, CS8469 and 6370CR
 3769, 7379, CS6369, CS8369, CS8169 and 6369CR

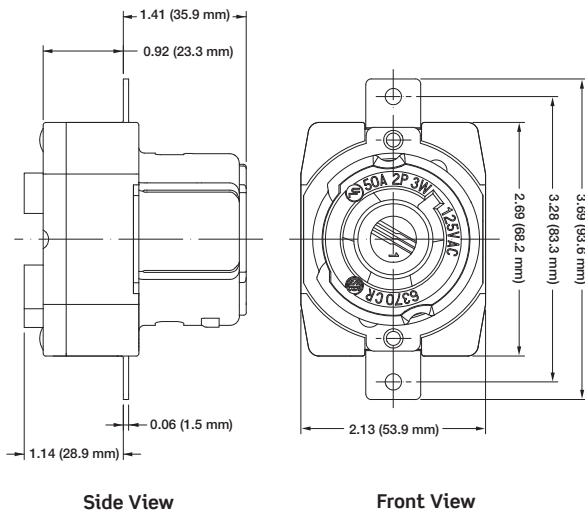
Application

In accordance with the NEC, these devices are suitable for use in all 50 ampere branch circuits of 125V, 250V, 480V, 250V DC/600V AC, or 125/250V industrial installations where UL498 standards of mechanical and electrical life are specified.

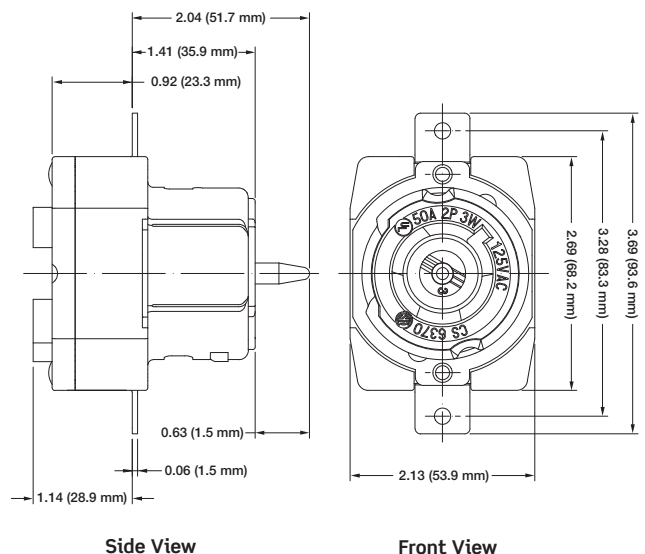


Component	General Purpose		Corrosion Resistant
	Standard Style Locking	California-Style Locking	Standard Locking
Face Module	Reinforced Nylon	Reinforced Nylon	Reinforced Nylon
Body & Contact Carrier	Reinforced Nylon	Reinforced Nylon	Reinforced Nylon
Shroud	0.062inch thick Nickel Plated Steel	0.062inch thick Nickel Plated Steel	0.062inch thick SS 302/304
Back Cover	Reinforced Nylon	Reinforced Nylon	Reinforced Nylon
Single Piece Mounting Strap	SS 302/304	SS 302/304	SS 302/304
Mounting Screws	SS 302/304	SS 302/304	SS 302/304
Assembly Rivets	SS 302/304	SS 302/304	SS 302/304
Center Pin – CS Device	----	SS 302/304	----
Contact - Spring	0.041inch thick Brass	0.041inch thick Brass	0.041inch thick Nickel Plated Brass
Contact – Binding Plate	0.100inch thick Brass	0.100inch thick Brass	0.100inch thick Nickel Plated Brass
Contact Rivet	Brass	Brass	Nickel Plated Brass
Box Terminal	0.062inch thick Copper	0.062inch thick Copper	0.062inch thick Nickel Plated Copper
Terminal Set Screw	SS 302/304	SS 302/304	SS 302/304
Certifications and Code Compliance	The receptacles listed herein comply with UL 498 Listing (UL file # E13399), CSA C22.2 No. 42 and meet Mexican NOM standards. They are RoHS compliant. 50Amp locking receptacles are suitable for use in accordance with federal, state, county, municipal and local codes.		

50A, Standard Locking Receptacle including Corrosion Resistant



50A, California-Style Locking Receptacle



SPECIFICATIONS

50Amp, locking blade, 2-pole, 3-wire grounding and 3-pole, 4-wire grounding receptacles shall be Underwriters Laboratories Listed and comply with CSA requirements. Receptacle shall include single piece mounting strap. Ratings and corrosion resistance as scheduled on plan.

FEATURES AND BENEFITS

- Single piece, stainless steel mounting strap with integral ground contact for continuous conductivity and secure ground path
- Metal shroud makes for reliable and durable connection to shrouded plugs
- Reinforced nylon face, body, and back for heat and impact resistance
- Molded-in strip gauge makes for fast, accurate wire stripping
- Deep wire wells make larger diameter cable easier to wire
- Copper box terminal with hex head set screw allows for high clamping pressure without damaging strands
- **CR devices** feature nickel plated brass contacts and stainless steel screws for corrosion resistance
- Ratings and catalogue numbers molded into face module make for fast, easy identification or replacement



CS6370

PERFORMANCE SPECIFICATIONS

Electrical	
Dielectric Voltage	Withstands 2000V minimum per UL 498
Maximum Working Voltage	125V or 250V or 480V or 250V DC/600 V AC as rated on device
Current Interrupting	Certified for current interrupting at full rated current
Temperature Rise	Maximum 30°C temperature rise at full-rated current after 150 cycles of overload at 150% rated DC current
Mechanical	
Terminal Identification	X, W, Y, Z and Green for ground
Terminal Accommodation	#10min to #6max AWG Solid or Stranded Wire (Stranded wire for ground only.)
Product Identification	Ratings and Catalogue No. molded into face
Environmental	
Flammability	Rated UL 94 V-0
Operating Temperature	-40°C to 75°C (-40°F to 167°F)

ORDERING INFORMATION

Poles Wires	Description	Device Style	Color	Cat. No.	Non-NEMA Config.
2-Pole 3-Wire	50A, 250V DC/600V AC Receptacle	Std Locking	Black	3771	
	50A, 125V, California-Style Receptacle	CS Locking	Black	CS6370	
	50A, 250V, California-Style Receptacle	CS Locking	Black	CS8269	
	50A, 480V, California-Style Receptacle	CS Locking	Black	CS8469	
	50A, 125V, Corrosion Resistant Receptacle	CR Std Locking	Black	6370CR	
3-Pole 4-Wire	50A, 250V DC/600V AC Receptacle	Std Locking	Black	3769	
	50A, 250V DC/600V AC Receptacle	Std Locking	Black	7379	
	50A, 125/250V, California-Style Receptacle	CS Locking	Black	CS6369	
	50A, 250V 3Ø, California-Style Receptacle	CS Locking	Black	CS8369	
	50A, 480V 3Ø, California-Style Receptacle	CS Locking	Black	CS8169	
	50A, 125/250V, Corrosion Resistant Receptacle	CR Std Locking	Black	6369CR	

50A, Non-NEMA Locking Flanged Inlets

Black & White™ Industrial Grade 50 Amp Locking Flanged Inlets
2-Pole, 3-Wire Grounding and 3-Pole, 4-Wire Grounding

Cat. Nos.:

3777, CS6377, CS8275, CS8475, 6377CR, 7958, 3775, CS6375, CS8375, CS8175, 6375CR

Application

In accordance with the NEC, these devices are suitable for use in all 50 ampere branch circuits of 125V, 250V, 480V, 250V DC/600V AC or 125/250V industrial installations where UL498 standards of mechanical and electrical life are specified.



Component	General Purpose		Corrosion Resistant
	Standard Style Locking	California-Style Locking	Standard Locking
Face Module	Nylon	Nylon	Nylon
Body & Contact Carrier	Nylon	Nylon	Nylon
Flanged Casing	Zinc Plated Steel	Zinc Plated Steel	Zinc Plated Brass
Inlet Blade	0.100inch thick Brass	0.100inch thick Brass	0.100inch thick Nickel Plated Brass
Terminal Block	0.062inch thick Copper	0.062inch thick Copper	0.062inch thick Nickel Plated Copper
Terminal Set Screw	SS 302/304	SS 302/304	SS 302/304
Grounding Shunt	Bronze	Bronze	Nickel Plated Bronze
Grounding Shunt Rivet	Brass	Brass	Nickel Plated Brass
Certifications and Code Compliance	The flanged inlets listed herein comply with UL 498 Listing (UL file # E13399), CSA C22.2 No. 42 and meet Mexican NOM standards. They are RoHS compliant. 50Amp locking flanged inlets are suitable for use in accordance with federal, state, county, municipal and local codes.		

ORDERING INFORMATION

Poles Wires	Description	Device Style	Color	Cat. No.	Non-NEMA Config.
2-Pole 3-Wire	50A, 250V DC/600V AC Flanged Inlet	Std Locking	Gray Metal	3777	
	50A, 125V, California-Style Flanged Inlet	CS Locking	Gray Metal	CS6377	
	50A, 250V, California-Style Flanged Inlet	CS Locking	Gray Metal	CS8275	
	50A, 480V, California-Style Flanged Inlet	CS Locking	Gray Metal	CS8475	
	50A, 125V, Corrosion Resistant Flanged Inlet	CR Std Locking	Gray Metal	6377CR	
3-Pole 4-Wire	50A, 250V DC/600V AC Flanged Inlet	Std Locking	Gray Metal	3775	
	50A, 250V DC/600V AC Flanged Inlet	Std Locking	Gray Metal	7958	
	50A, 125/250V, California-Style Flanged Inlet	CS Locking	Gray Metal	CS6375	
	50A, 250V 3Ø, California-Style Flanged Inlet	CS Locking	Gray Metal	CS8375	
	50A, 480V 3Ø, California-Style Flanged Inlet	CS Locking	Gray Metal	CS8175	
	50A, 125/250V, Corrosion Resistant Flanged Inlet	CR Std Locking	Gray Metal	6375CR	

SPECIFICATIONS

50Amp, locking blade, 2-pole, 3-wire grounding and 3-pole, 4-wire grounding flanged inlets shall be Underwriters Laboratories Listed and comply with CSA requirements. Flanged inlets shall include zinc plated steel casing. Ratings and corrosion resistance as scheduled on plan.

FEATURES AND BENEFITS

- Single Piece Assembly for fast, easy wiring and maintenance. Steel casing protects face module yet still allows for quick terminal access.
- Zinc plated steel casing resists impact, abuse and distortion making for longer life and preventing connection of disparate devices
- Nylon face and body for heat and impact resistance
- Molded-in strip gauge makes for fast, accurate wire stripping
- Deep wire wells make larger diameter cable easier to wire
- Copper box terminal with hex head set screw allows for high clamping pressure without damaging strands
- **CR devices** feature nickel plated brass contacts and zinc plated brass casing for corrosion resistance
- Ratings and catalogue numbers molded into face module make for fast, easy identification or replacement

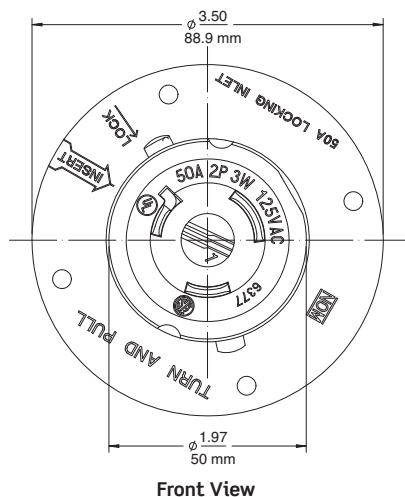


6377 Back

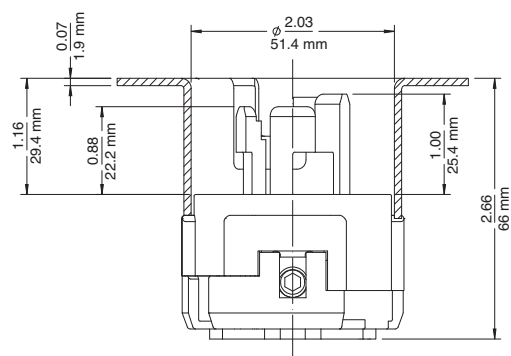
PERFORMANCE SPECIFICATIONS

Electrical	
Dielectric Voltage	Withstands 2000V minimum per UL 498
Maximum Working Voltage	125V or 250V or 480V or 250V DC/600V AC as rated on device
Current Interrupting	Certified for current interrupting at full rated current
Temperature Rise	Maximum 30°C temperature rise at full-rated current after 150 cycles of overload at 150% rated DC current
Mechanical	
Terminal Identification	X, W, Y, Z and Green for ground
Terminal Accommodation	#10min to #4max AWG Solid or Stranded Wire
Product Identification	Ratings and Catalogue No. molded into face
Environmental	
Flammability	Rated UL 94 V-2
Operating Temperature	-40°C to 75°C (-40°F to 167°F)

50Amp Locking Flanged Inlet



Front View

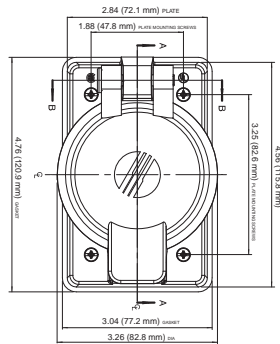


Side View

RECEPTACLE ACCESSORIES

- Flip Lids for General Purpose and Corrosion Resistant environments.
- Snap-back lids ensure receptacle is covered when not in-use.

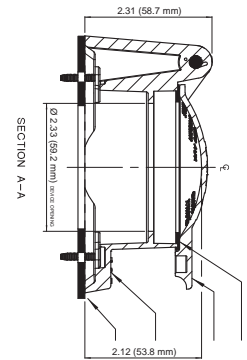
7770



GENERAL PURPOSE

Material: Powder Coated Cast Aluminum
Color: Industrial Gray
Mounting: Four Stainless Steel Screws
Hinge: Stainless Steel Pin & Spring
Gasket: Foam Gasket
Ratings: IP64/NEMA Type 3R
 Dimensions same as 7788CR

7788CR



CORROSION RESISTANT

Material: Reinforced Polycarbonate Thermoplastic
Color: High Visibility Yellow
Mounting: Four Stainless Steel Screws
Hinge: Stainless Steel Pin & Spring
Gasket: Foam Gasket
Ratings: IP64/NEMA Type 3R
 Dimensions same as 7770

PLUG AND CONNECTOR ACCESSORIES

- For use only with non-NEMA 50A locking plugs and connectors.
Not suitable for use with other 50A devices or boots.
- Reduces the amount of dirt, debris, and water entering a connected plug and connector
- UV resistant Santoprene thermoplastic elastomer construction extends life and reduces cracking
- IP55 rating applies when 50A plug with boot is fully connected to a 50A connector with boot.

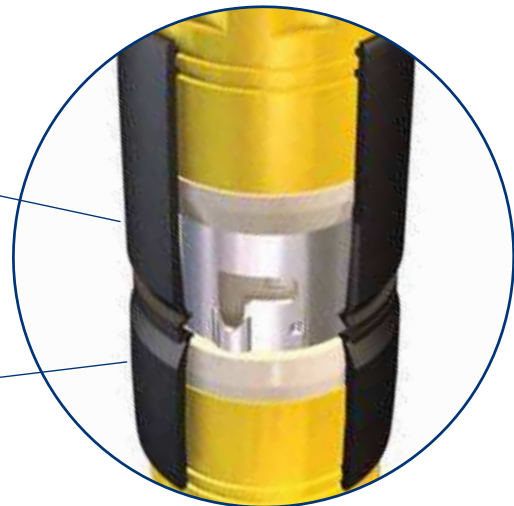
PLUG BOOT

Material: Santoprene Thermoplastic Elastomer
Color: Black and High Visibility Yellow



CONNECTOR BOOT

Material: Santoprene Thermoplastic Elastomer
Color: Black and High Visibility Yellow



CONNECTION GRIPS	L8003	Grip Cat. No.	Cable Diameter Inches (cm)	Eye Length Inches (cm)	Mesh Length Inches (cm)
<ul style="list-style-type: none"> • Protect the plug or connector cable • Easily installs on the standard external cable clamp • Mesh Type: Galvanized Steel, closed, single weave mesh 		L8003	0.52 - 0.73 (1.32 - 1.85)	1.687 (4.285)	7 (17.8)
		L8004	0.70 - 0.85 (1.78 - 2.16)	1.937 (4.920)	8.5 (21.6)
		L8005	0.82 - 1.00 (2.08 - 2.54)	1.937 (4.920)	8.5 (21.6)
		L8006	0.94 - 1.25 (2.39 - 3.18)	1.937 (4.920)	10.5 (26.7)