

Watertight Conduit Hubs

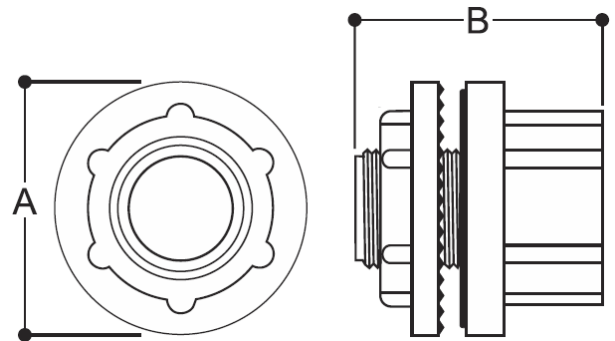
For Use with all Watertight Enclosures, including Disconnect Switches, Mechanical Interlocks and Back Boxes

Features

- For use with IMC (Intermediate Metal Conduit) or rigid conduit; threaded connection type
- UL listed and CSA certified
- Type 2, 3R, 4, 4X, 5, 12, 13
- 5 sizes available: 3/4", 1", 1-1/4", 1-1/2", 2"
- Constructed of die-cast zinc
- RoHS compliant



Watertight Conduit Hubs feature serrations that provide a reliable watertight seal even with a rough or oversized knock-out. They offer positive grounding, insulated throats to protect wire abrasion and an embedded O-Ring to ensure a watertight seal. Hub sizes range from 3/4" to 2".



Ordering Information

Catalog Number	Hub Size	Dimensions (in)		Mounting Hole (min).
		A	B	
HUB-034	3/4"	1.73	1.37	1.05
HUB-100	1"	2.04	1.59	1.31
HUB-114	1 1/4"	2.42	1.59	1.66
HUB-112	1 1/2"	2.79	1.59	1.90
HUB-200	2"	3.30	1.59	2.37

Specifications subject to change. For complete specifications and availability, visit www.biaonline.com