

Right Angle GFCI Plugs

Features and Benefits

- Rainproof, Outdoor rated GFCI Module.
- Fully complies with NEC and OSHA regulations for construction sites.
- Automatically resets to ON when plugged in or after power interruption.
- Power Indicator lamp goes OFF if GFCI trips, power is interrupted or the GFCI is unplugged.
- Open-Neutral Protection immediately trips the GFCI if the neutral conductor on the line side is opened, eliminating the possibility of the GFCI having a live hot leg.
- Specially designed NEMA 3R, Raintight-While-in-Use cover available.
- UL listed; complies with UL Standard 943 as a Class A GFCI power supply.
- CSA Certified.



Standards and Certifications	
NEMA:	WD-6
ANSI:	C-73
CSA Standard:	C22.2 No 144
NOM:	057

Catalog No.	Color	Description	VPE/Pack	EDP-No.
16592	Black	GFCI Angle Plug, NEMA 1-15P, 15A 120V	20	125509
16593	Black	GFCI Angle Plug, NEMA 5-15P, 15A 120V	20	125510
16893	Black	GFCI Angle Plug, NEMA 5-20P, 20A 120V	20	125511

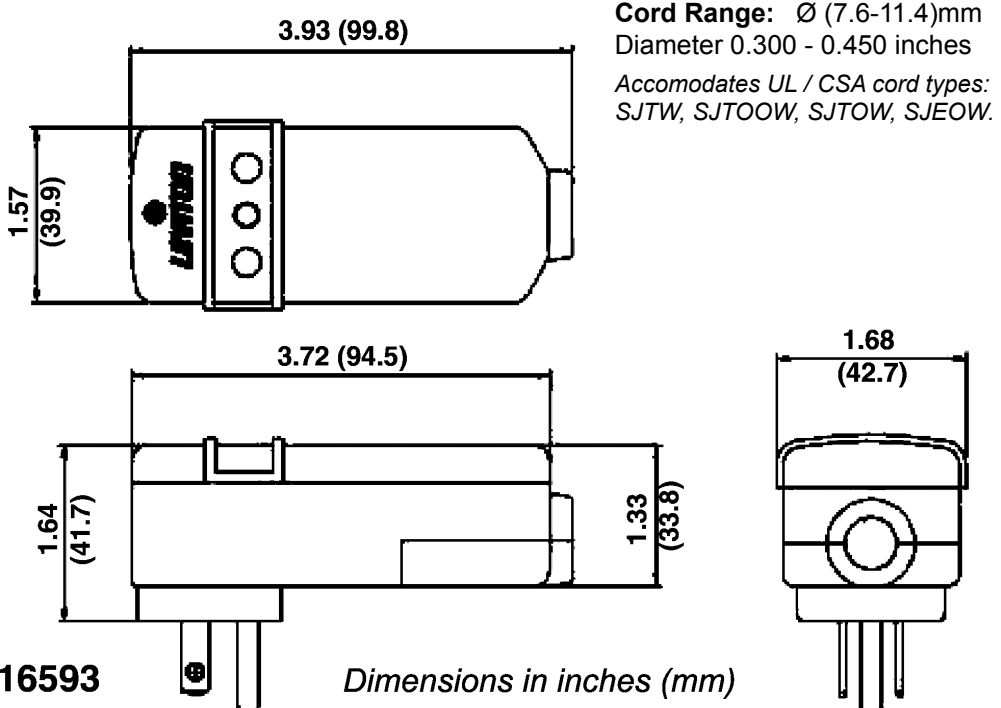
AC Horsepower Ratings
At Rated Voltage:
3/4 Horsepower

Electrical Specifications
Current Interrupting: 2 kA
Trip Level:
5mA plus or minus 1mA

Environmental Specifications
Flammability:
Rated V-2 per UL94
Operating Temperature:
-35C - 66C

Material Specifications
Body Material: Polycarbonate
Blades/Contacts: Brass

Mechanical Specifications
Product ID: Ratings permanently marked on device



Cat. No. 16593

Dimensions in inches (mm)