

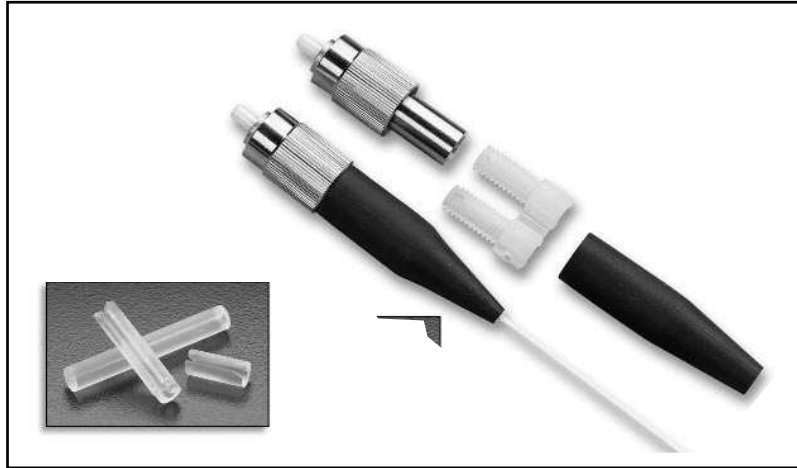
Component Specifications



Part Numbers
49883-FCT
49883-SFC 49883-MFC

Thread-Lock™ FC Fiber Optic Connector

See ELECTRONIC FILES for CAD files (.DXF, .DWG, MS-DOS.EPS) on disk



For ELECTRONIC Typical Specs see (.TXT) file on disk.

APPLICATION

Field termination of single mode and multimode fiber optic cable.

STANDARDS COMPLIANCE

Meets or exceeds all applicable standards. Complies with TIA/EIA-568-B; and meets FCC Part 68. Meets industry standards for performance and tensile strength.

PHYSICAL SPECIFICATIONS

Capacity: Singlemode 9/125 micron
 Multimode 50/125 micron 62.5/125 micron
 Climatic Category: -40/+80 centigrade
 Materials: Body - Nickel plated brass
 Ferrule - Pre-radiused zirconia ceramic
 Loss Specification: .2 dB typical
 Mounting: Threaded Nut Coupling

DESIGN CONSIDERATIONS

- Reusable compression type retention - no epoxy or UV curing.
- Multiple mating/fully intermateable.
- Applicable to 3 mm, 900 micron, & 250 micron cable.
- Insertion loss typical at .20 dB

INSTALLATION NOTES

- Installation instructions and tightening tool are included in each box of 50 connectors.
- No special tooling required.
- A Fiber Optic tool kit is available (see ordering info).

TYPICAL SPECIFICATION

Fiber optic connectors shall be "FC" type with a metal body, coupling nut and ceramic ferrule. The connectors shall be field installable and require no epoxy, heat cure devices or special crimp tools to facilitate the termination of the fiber. The connector shall be of a design that allows removal and retermination, using the same connector to reduce material waste. The connector meets all applicable TIA/EIA standards for fiber optic connector reliability and intermateability. The manufacturer shall provide a one-year limited product warranty and 15 year product performance guarantee. The manufacturer shall provide a lifetime warranty against defects in material and workmanship and an application guarantee when installed as part of a certified system.

UNIQUE FEATURES

- Connector may be removed and reused.
- No epoxy or special crimp tools required.
- No heat cure devices are required.
- Connector is appropriate for permanent or temporary applications.
- Termination time—2 minutes.

WARRANTY INFORMATION

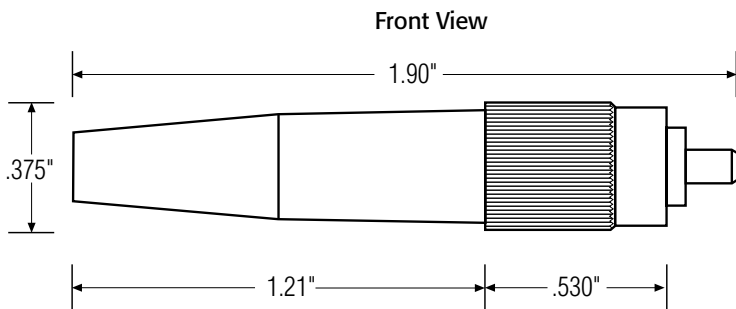
- One-year limited product warranty and 15-year performance guarantee are standard.
- Product and performance warranties are extended to a Lifetime as part of Leviton's Certified Cabling System.

**Thread -Lock™ FC Fiber
Optic Connector**

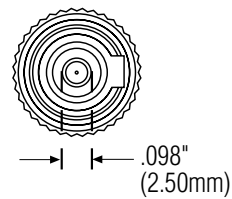
Part Number
49883-SFC
49883-MFC 49883-FCT

DIMENSIONAL LINE ART

See ELECTRONIC FILES for CAD images
 (.DXF, .DWG, MS-DOS.EPS)



Side View



PART NUMBERS

FC Fiber Optic Connectors	Part No.
FC Singlemode Thread-Lock connector	49883-SFC
FC Multimode Thread-Lock connector	49883-MFC
FC Tightening Tool	49883-FCT

ACCESSORIES

Description	Part No.
Universal Fiber Optic Tool Kit	49800-UTK
Universal Fiber Optic Tool Kit Plus (w/Versa-Cleave™)	49800-UTP
Universal Fiber Optic Consumables Kit	49800-CON