

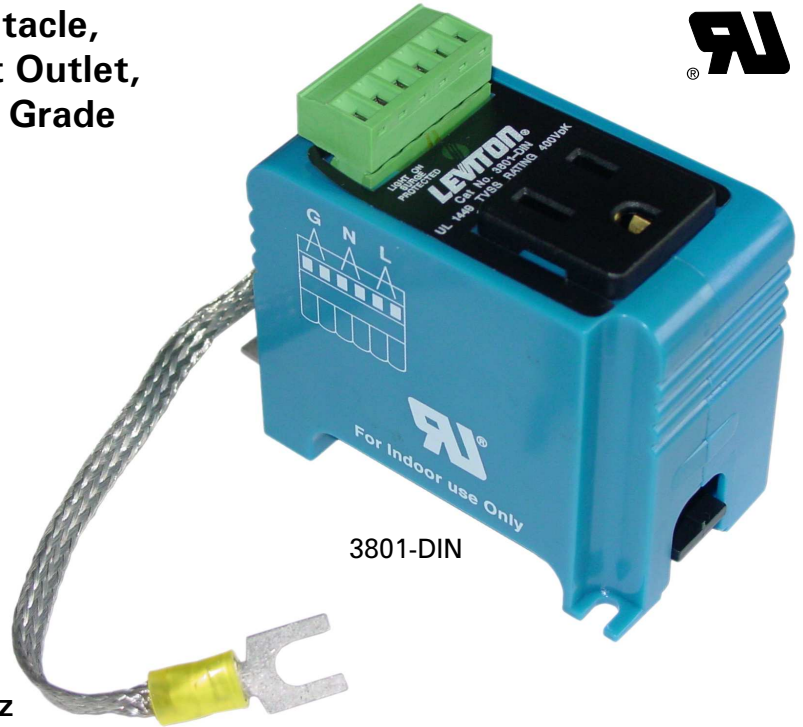
USA - DIN-Rail Mountable Modules Single Surge Receptacle

DIN-Rail Mountable Modules Receptacle, 125V AC, 10A, NEMA 5-15R Socket Outlet, 2 Pole 3 Wire Grounding, Industrial Grade



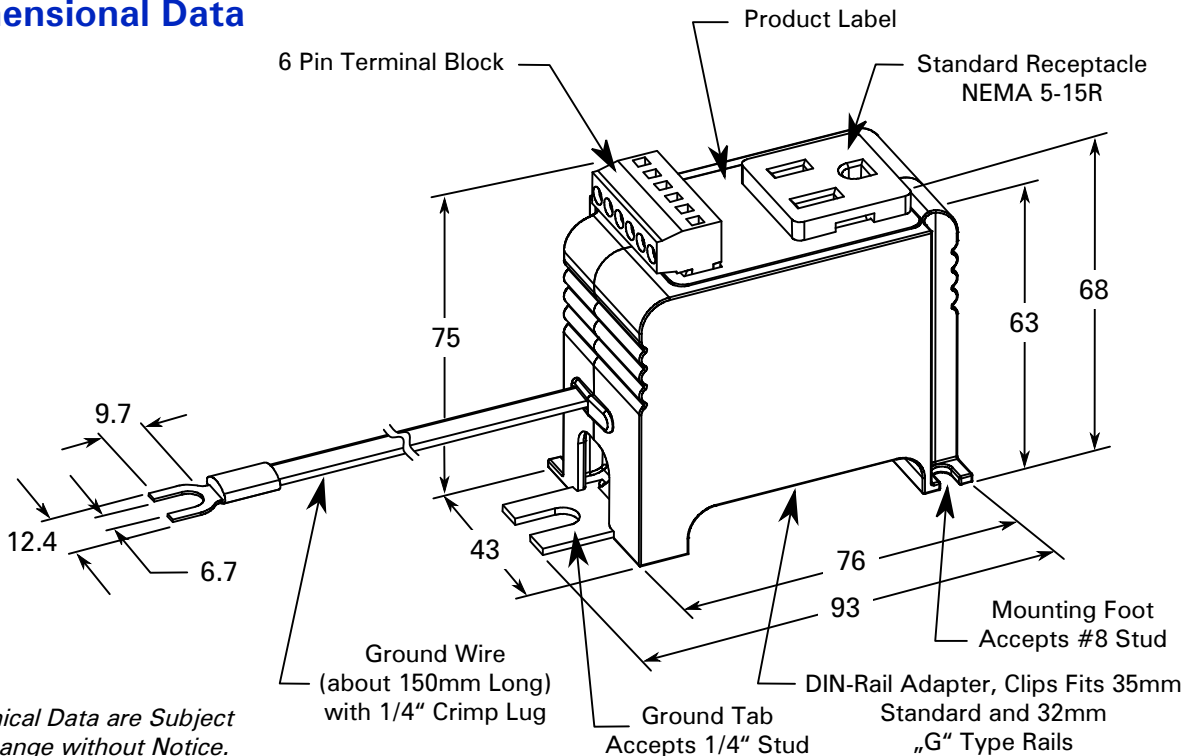
Product Features

- **Electrical Ratings:** 125V AC, 10A
- **Standards according to:** NEMA 5-15R, UL1449, CSA, ANSI/IEEE Cat. ABC
- **Feature:** Surge Single
- **Termination:** Terminal Block
- **Face Material:** Thermoplastic Nylon
- **Body Material:** Thermoplastic
- **Joules Rating:** 320
- **Max Single Pulse Transient Current L-N/L-G/N-G:** 24kA/12kA/12kA
- **Noise Rejection:** -35 dB at 5kHz – 5MHz



Catalog No.	Color	Description	VPE / Packed	EDP-Nr.
3801-DIN	Black	DIN-Rail Mountable Modules Single Surge Receptacle, 10 Amp, 125 Volt AC, NEMA 5-15R, 2P, 3W, Grounding, Straight Blade, Industrial Grade, Terminal Block Wired	5 ea	121988

Dimensional Data



*Technical Data are Subject to Change without Notice.
Dimensions in mm.*