

Spec. Grade Single Receptacles, 20A/125V AC, NEMA 5-20R

Single Receptacles, 20 Amp, 125 Volt AC
2 Pole 3 Wire Grounding, NEMA 5-20R

SPECIFICATIONS

- **Ratings:** 20 Amp, 125 Volts AC
- **Pole/Wire:** 2P 3W Grounding (2P + E)
- **Standards:** ANSI C-73, NEMA 5-20R WD-2 WD-6
- **Certifications:** UL (USA), CSA (Canada), NOM (Mexico)
- **Terminals/Wired:** Screw, Side Wired
- **Face/Body Material:** Nylon
- **Standard Colors:** Brown, Ivory



5801-I



5801

Catalog No.	Color	Description	Weight/each	VPE/Pack	EDP No.
5801	Brown	Single Receptacle, 20A, 125V AC, NEMA 5-20R	53 g net.	100/10	101366
5801-I	Ivory	Single Receptacle, 20A, 125V AC, NEMA 5-20R	53 g net.	100/10	101367
5801-T*	Light Almond	Single Receptacle, 20A, 125V AC, NEMA 5-20R	53 g net.	100/10	126393
5801-W*	White	Single Receptacle, 20A, 125V AC, NEMA 5-20R	53 g net.	100/10	108352

* Available on special order only.

AC Horsepower Ratings

At Rated Voltage: 1 HP

Electrical Specifications

Grounding: Grounding
Amperage: 20 Amp
Voltage: 125 Volt AC
NEMA: 5-20R
Pole: 2
Wire: 3
Dielectric Voltage: Withstands 2000V per UL498
Current Limiting: Full Rated Current
Temperature Rise: Max 30C after 100 cycles OL at 150% rated current

Environmental Specifications

Flammability: Rated V-2 per UL94
Operating Temperature: -40C to +60C

Material Specifications

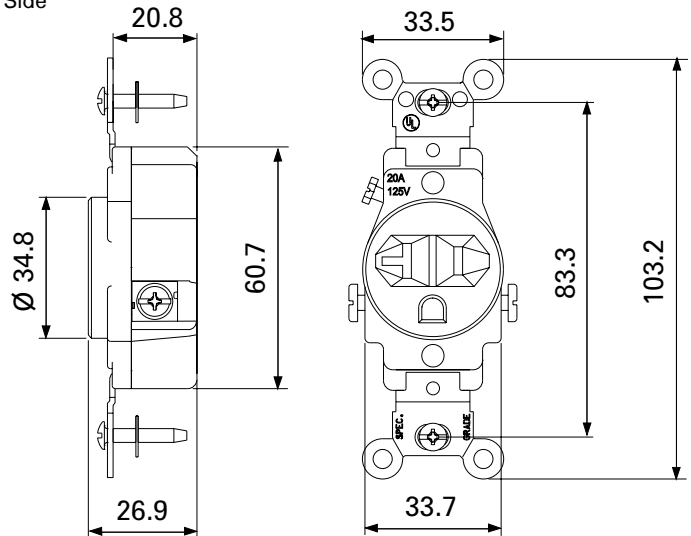
Face Material: Nylon
Body Material: Nylon
Line Contacts: Brass Double Wipe .031 (0.79mm) Thick
Terminal Screws: Brass 8-32
Grounding Screw: Brass 8-32
Strap Material: Zinc-Plated Steel

Mechanical Specifications

Terminal ID: Brass-Hot, Green-Ground, Silver-Neutral
Terminal Accom.: 14 to 10 AWG
Product ID: Ratings are permanently marked on device
Termination: Side

Standards and Certifications

NEMA: WD-2 WD-6
ANSI: C-73
UL498: File E13399
UL Fed Spec WC-596: File E13399
CSA C22.2 No. 42: File 152105
NOM: 057



Technical Data are Subject to Change without Notice. Dimensions in mm.