



5015-I

5015 - Series

15 Amp, 125 Volt, NEMA 5-15R, 2P, 3W, Narrow Body Single Receptacle, Straight Blade, Commercial Grade, Grounding, Side Wired, Steel Strap, Standard Colors: Brown, Ivory – White and Almond Available on Request



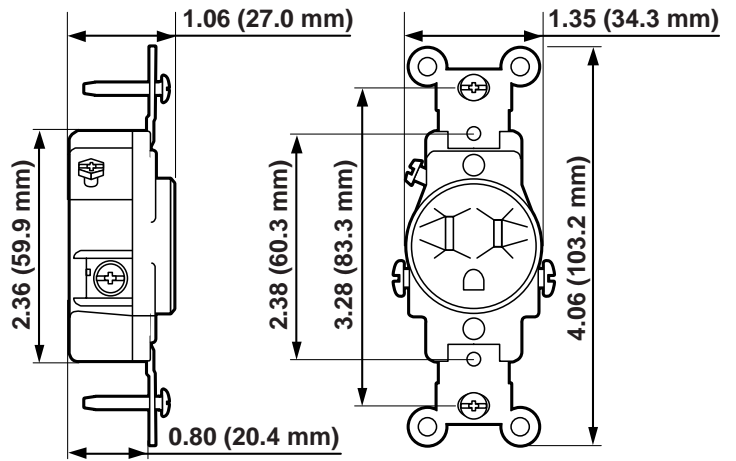
U.S.A.



Mexico



Canada

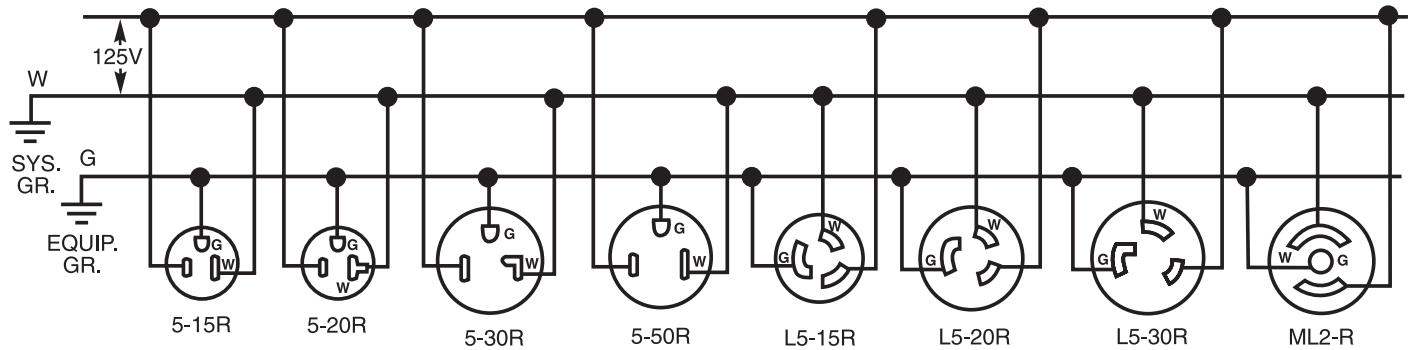


SIDE WIRED
Catalog No. 5015-Series

Catalog No.	Color	Wght/ea	VPE/Packed	EDP-No.
5015	Brown	52g	100/10	101204
5015-I	Ivory	52g	100/10	101206
5015-W	White	52g	100/10	108351
5015-A	Almond	52g	100/10	—

Wiring Diagrams, 2-Pole 3-Wire Grounded

125V



To learn more about B-I-A please visit us at our
WEB site: www.BiaGmbH.com



Electrical Specifications	
Dielectric Voltage	Withstands 2000V per UL498
Current Limiting	Full Rated Current

Material Specifications	
Face Material	Nylon
Body Material	Nylon
Line Contacts	Brass Double Wipe .031 Thick
Terminal Screws	Brass 8-32
Grounding Screw	Brass 8-32
Yoke	Zinc-Plated Steel

AC Horsepower Ratings	
At Rated Voltage	1/2 HP

Electrical Specifications	
Dielectric Voltage	Withstands 2000V per UL498
Current Limiting	Full Rated Current

Material Specifications	
Face Material	Nylon
Body Material	Nylon
Line Contacts	Brass Double Wipe .031 Thick
Terminal Screws	Brass 8-32
Grounding Screw	Brass 8-32
Yoke	Zinc-Plated Steel

AC Horsepower Ratings	
At Rated Voltage	1/2 HP

Mechanical Specifications	
Terminal ID	Brass-Hot, Green-Ground, White-Neutral
Terminal Accom.	14-10 AWG
Product ID	Ratings are permanently marked on device

Environmental Specifications	
Flammability	Rated V-2 per UL94
Operating Temp.	-40C to 60C

Standards and Certifications	
NEMA	WD-2 WD-6
ANSI	C-73
UL498	File E13399
UL Fed Spec WC-596	File E13399
CSA C22.2 No. 42	File 152105
NOM	057

Mechanical Specifications	
Terminal ID	Brass-Hot, Green-Ground, White-Neutral
Terminal Accom.	14-10 AWG
Product ID	Ratings are permanently marked on device

Environmental Specifications	
Flammability	Rated V-2 per UL94
Operating Temp.	-40C to 60C

Standards and Certifications	
NEMA	WD-2 WD-6
ANSI	C-73
UL498	File E13399
UL Fed Spec WC-596	File E13399
CSA C22.2 No. 42	File 152105
NOM	057

To learn more about B-I-A please visit us at our
WEB site: www.BiaGmbH.com

