

China

Customer Designed Power Supply Cord Sets

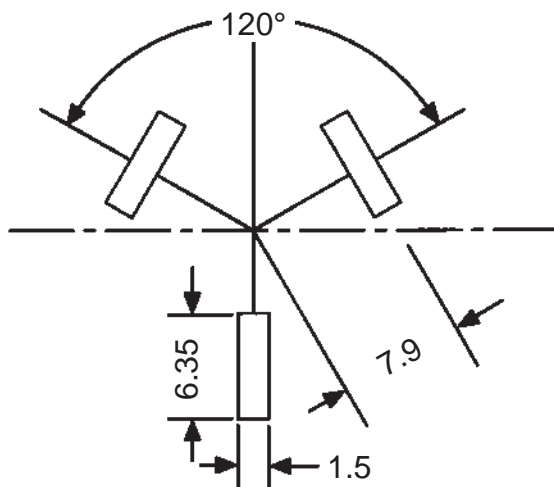
The plug and socket pattern for use in China is specified in publications GB 2099.1-1996 and GB 1002-1996. The Chinese plug is a 3-wire, grounded plug rated at 10A/250VAC or 16A/250VAC used in Class I applications in China.



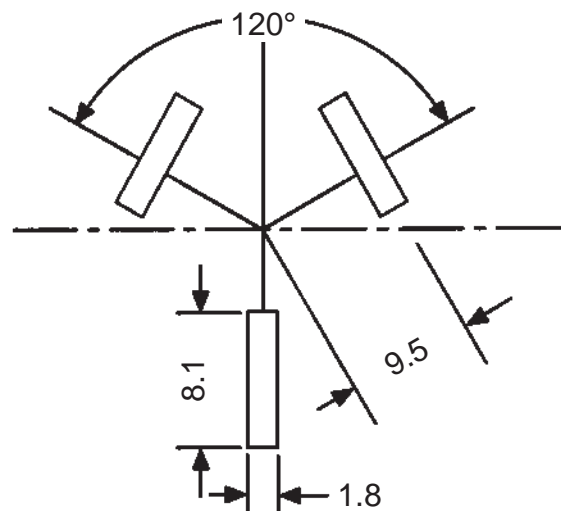
8535-25M-BB

The cordset may be terminated with an IEC 60320 connector rated at 10 Amp.

The 10 Amp. contact pins of the Chinese plug are slightly longer (1mm) than the Australian contact pins. Plug body dimensions may also vary slightly. China requires that plugs, connector couplers, and cable used in the construction of the Chinese cordsets be tested and approved by the China Commission for Conformity Certification of Electrical Equipment (CCEE) and must bear the CCEE mark (commonly referred to as the Great Wall Mark).



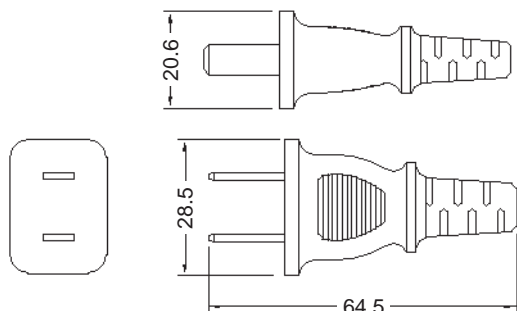
10 Amp. Pin Dimensions



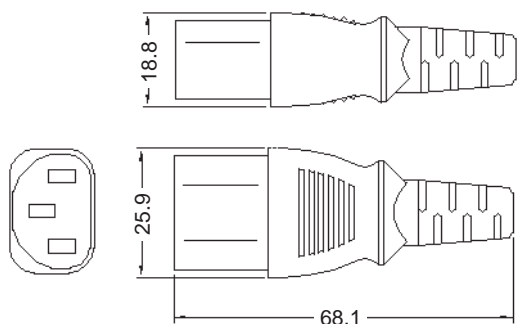
16 Amp. Pin Dimensions

To learn more about B-I-A please visit us at our
WEB site: www.BiaGmbH.com

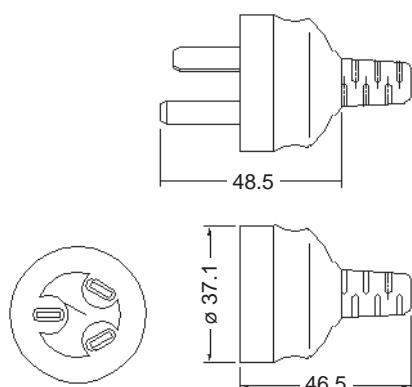




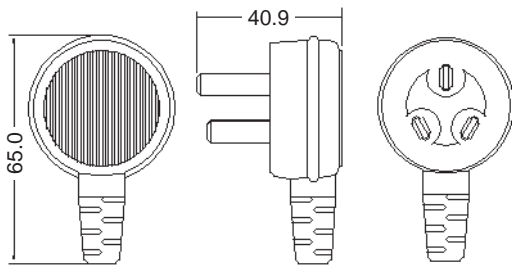
Part Number: **UC-051**
 Configuration: GB 1002-1996
 Description: Molded Plug
 Ratings: 7.5A/125V
 Approvals: CCEE
 Wire Type(s): RVB 300/300V 2 x 0.50 mm²
 RVB 300/300V 2 x 0.75 mm²
 RVVB 300/300V 2 x 0.50 mm²
 RVVB 300/300V 2 x 0.75 mm²
 Features: Molded PVC male plug, straight, with flex strain relief and finger grip. Standard nickel-plated brass solid blades.



Part Number: **UC-052**
 Configuration: GB 1002-1996
 Description: Molded Grounding Connector
 Ratings: 10A/125, 10A/250V
 Approvals: CCEE
 Wire Type(s): RVV 300/300V 3G0.75 mm²
 RVV 300/500V 3G0.75 mm²
 RVV 300/500V 3G1.0 mm²
 Features: Molded PVC over PC insert. Straight female grounding connector, with flex strain relief and finger grip. Spring contacts.

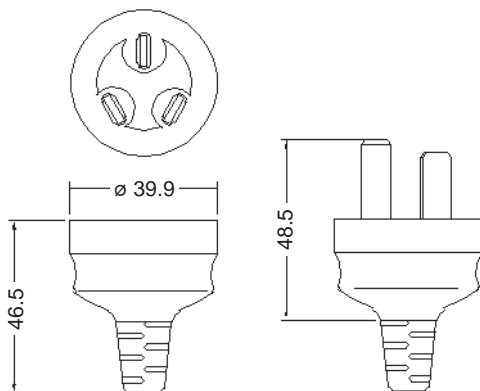


Part Number: **UC-053**
 Configuration: GB 1002-1996
 Description: Molded Grounding Plug
 Ratings: 6A
 Approvals: CCEE
 Wire Type(s): RVV 300/300V 3G0.50 mm²
 RVV 300/300V 3G0.75 mm²
 RVV 300/500V 3G0.75 mm²
 RVV 300/500V 3G1.0 mm²
 Features: Molded PVC male grounding plug with inner housing, straight, with flex strain relief. Standard nickel-plated brass solid blades.



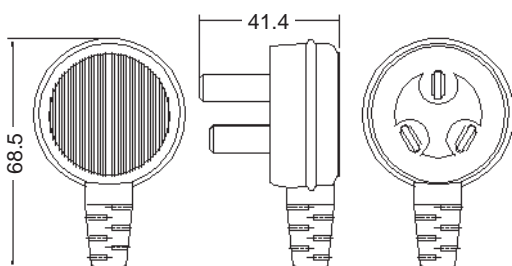
Part Number: **UC-054**
Configuration: GB 1002-1996
Description: Molded 90° Grounding Plug
Ratings: 6A/125V
Approvals: CCEE
Wire Type(s): RVV 300/300V 3G0.50 mm²
RVV 300/300V 3G0.75 mm²
RVV 300/500V 3G0.75 mm²
RVV 300/500V 3G1.0 mm²

Features: Molded PVC male grounding plug with inner housing, 90° angle, with flex strain relief. Standard nickel-plated brass solid blades.



Part Number: **UC-055**
Configuration: GB 1002-1996
Description: Molded Grounding Plug
Ratings: 16A/250V
Approvals: CCEE
Wire Type(s): RVV 300/500V 3G1.0 mm²
RVV 300/500V 3G1.5 mm²
RVV 300/500V 3G2.5 mm²

Features: Molded PVC male grounding plug with inner housing, straight, with flex strain relief. Standard nickel-plated brass solid blades.



Part Number: **UC-056**
Configuration: GB 1002-1996
Description: Molded 90° Grounding Plug
Ratings: 16A/250V
Approvals: CCEE
Wire Type(s): RVV 300/500V 3G1.0 mm²
RVV 300/500V 3G1.5 mm²
RVV 300/500V 3G2.5 mm²

Features: Molded PVC male grounding plug with inner housing, 90° angle, with flex strain relief. Standard nickel-plated brass solid blades.