

Modular-designed Semiconductor fuse blocks are designed to accommodate a wide range of Semiconductor fuses, with a maximum diameter of 3". This modular design greatly reduces inventory requirements. They are sold in pairs and are constructed of molded phenolic, with plated steel studs.

LSCR001

Semiconductor fuse block selection guide

Fuse Series	Ampere Rating
L15S	70 – 450
L25S	35 – 60
L25S	70 – 200
L50S	35 – 60
L50S	70 – 100
L50S	125 – 200
L60S	35 – 60
L60S	70 – 100
L60S	125 – 200
L70S	35 – 60
L70S	70 – 100
KLC	1 – 30
KLC	35 – 60

SPECIFICATIONS

Voltage rating: LSCR001: Accepts fuses 1" diameter or less at **600V**. Also accepts 1 3/16" diameter fuses at **700 – 1000V**.

LSCR002: Accepts fuses up to 3" diameter at **1000V**.

Ampere ratings: LSCR001: 1 – 450 ampere capacity.

LSCR002: 70 – 1000 ampere capacity.

Approvals: UL Recognized (File No. E14721)

Stud Size: LSCR001: 1/4 - 20 thread
LSCR002: 3/8 - 16 thread

Base: Molded phenolic. 150° C temperature rating.

Terminal construction: Plated steel. Supplied with nut and Belleville washer.

RECOMMENDED FUSES

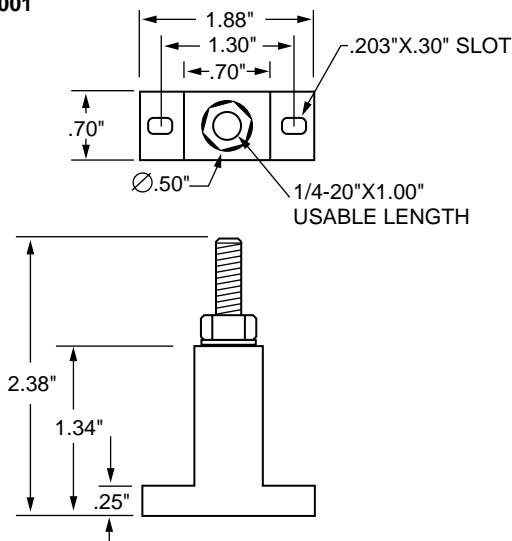
Semiconductor fuses. See tables below.

LSCR002

Semiconductor fuse block selection guide

Fuse Series	Ampere Rating
L15S	500 – 1000
L25S	225 – 700
L25S	800
L50S	225 – 400
L50S	450 – 600
L50S	700 – 800
L60S	225 – 400
L60S	450 – 600
L60S	700 – 800
L70S	125 – 200
L70S	225 – 400
L70S	450 – 800
KLC	70 – 100
KLC	125 – 200
KLC	225 – 400
KLC	450 – 800
KLC	1000

LSCR001



LSCR002

