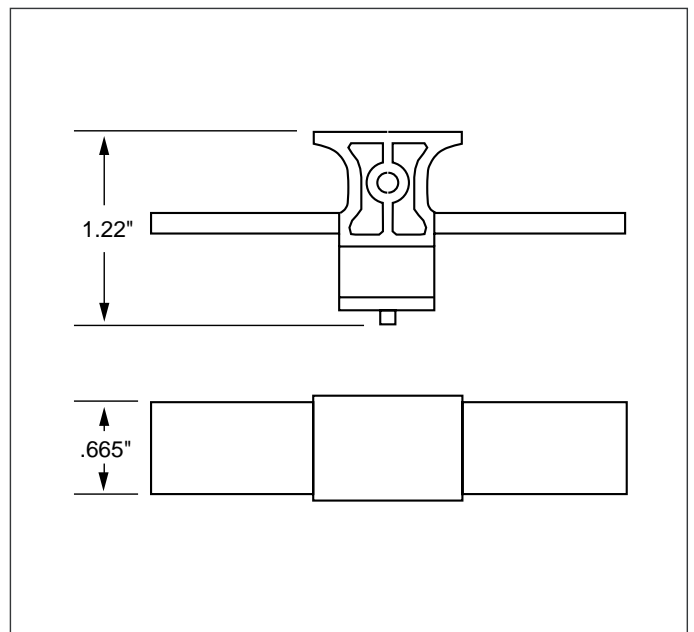
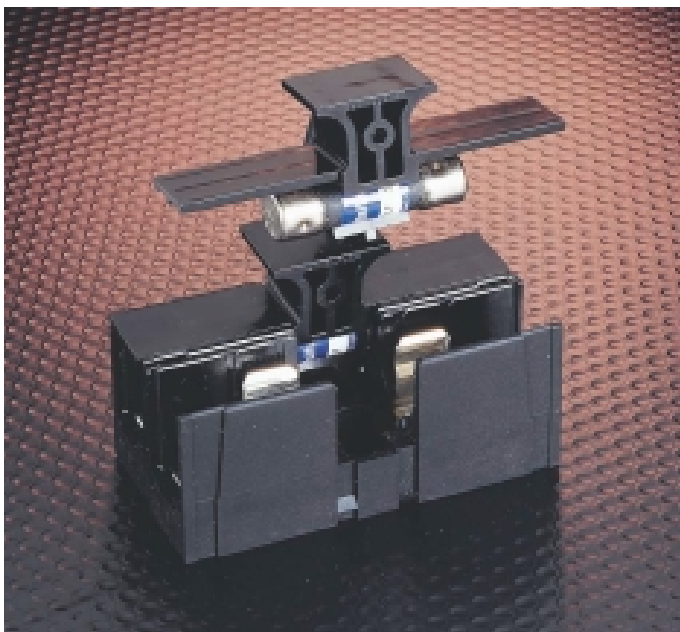
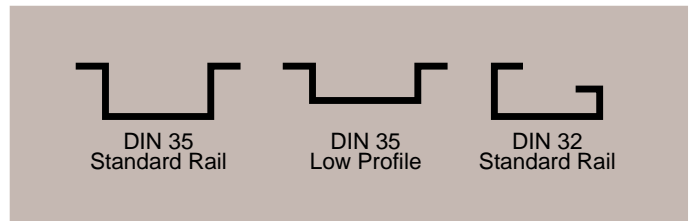


DIN Rail Adapter — FBDIN1

FBDIN1 is for use with 30A Midget, Class CC and Class G fuse blocks. The patented design permits snap-mounting of Littelfuse Class CC and Midget 30A fuse blocks directly to standard and low profile 35mm symmetrical "hat" and 32mm asymmetrical DIN rails. Adapters snap securely to Littelfuse fuse blocks and to DIN rails without tools. They may be readily removed from rails by lifting the disconnect tab.



Cover Puller — SPL001

Littelfuse's Class CC and Midget fuse cover puller is designed to provide protection to personnel, as well as make removal of fuses from fuse blocks easy and safe. Once installed on the fuse, the cover puller allows removal of the fuse without the use of a separate puller.

- Meets "Dead Front" requirements for use in control panels.
- Permits safe, easy removal.

- Works with existing fuse block. No special hinged fuse blocks are required.
- Easily gangable with 1/8" diameter wire.
- For use with all 600 volt Class CC and Midget 1/10 — 30A fuses.
- Use with Class CC L60030C series and L60030M series fuse blocks.
- Label provided for easy fuse identification.

POWR-SAFE "Dead Front" Holders



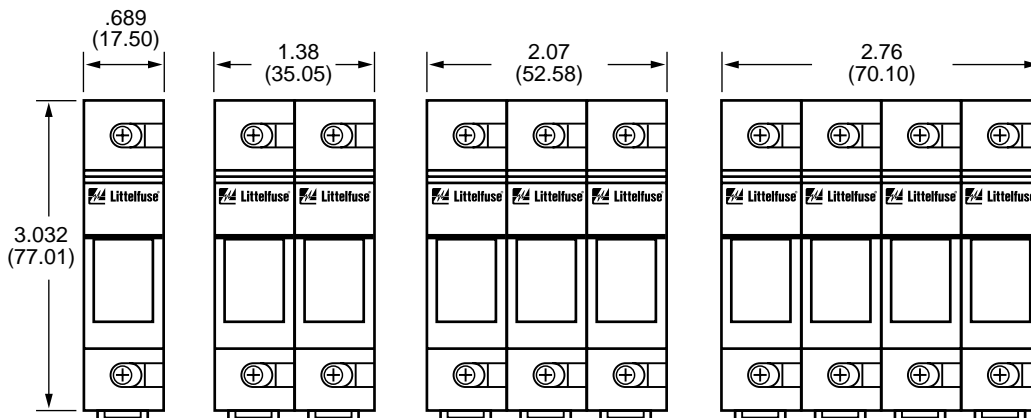
Littelfuse POWR-SAFE "Dead Front" holders provide optimum protection to personnel. Indicating and non-indicating versions are available in 1, 2, 3, or 4 poles for Class CC and Midget fuses.

FEATURES/BENEFITS

- Meets "Dead Front" requirements and IEC Type IP20 Protection
- Mountable on 35mm Din Rail
- Blown fuse identification (Indicating versions only)
- Easy installation and removal of fuses. No special fuse pullers or tools required.
- UL Listed for branch circuit protection (Class CC versions only)
- Compact design
- Ventilated design for cooler operation
- Indicates above 80 volts (ID versions only)

DIMENSIONS in inches (mm in parentheses)

- LPSM/LPSC POWR-SAFE Holders



SPECIFICATIONS

- Voltage Rating:** 600 Volts
- Ampere Rating:** 30 amperes
- Interrupting Rating:** 200 kA (Class CC)
100 kA (Midget)
- Terminal type:** Pressure plate
- Suggested Torque:** 15 lb.
- Wire Range:** #6—#14CU
- Material:** Thermo-Plastic
- Flammability Rating:** 94VO
- Approvals:** UL Listed (LPSC File No: E14721)
UL Recognized (LPSM File No: E14721)
CSA Certified (LPSC/LPSM File No: LR7316)
IEC Type IP20 Protection
CE Certified

ORDERING INFORMATION

Indicating Part Number	Non-Indicating Part Number	Fuse Type	Number of Poles
LPSC001ID	LPSC001	Class CC	1
LPSC002ID	LPSC002	Class CC	2
LPSC003ID	LPSC003	Class CC	3
LPSC004ID	LPSC004	Class CC	4
LPSM001ID	LPSM001	Midget	1
LPSM002ID	LPSM002	Midget	2
LPSM003ID	LPSM003	Midget	3
LPSM004ID	LPSM004	Midget	4

Multi-pole Assembly Kit: Order No: **CYHP001**
(Kit contains 20 connector pincers and 10 handle pins.)



Littelfuse POWR-SAFE "Dead Front" fuseholders provide optimum protection to personnel. An integral DIN-Rail adapter system allows fuse holders to be mounted on 35mm DIN-Rail without the use of tools or special parts. Indicating and non-indicating versions are available in 1, 2, or 3 poles for Class J Time-Delay [JTD](#) / [JTD_ID](#) or Fast-Acting [JLS](#) fuses.

SPECIFICATIONS

- Voltage Rating:** 600 VAC
- Interrupting Rating:** 200 kA
- Ampere Rating:** 30 and 60 amperes
- Terminal Type:** Pressure plate
- Suggested Torque:** 30A – 35 inch-pounds
60A – 45 inch-pounds
- Wire Range:** #2 – #14CU
- Material:** Thermo-plastic
- Flammability Rating:** 94V0
- Approvals:** UL Listed
CSA Certified
IEC Type IP20 Protection
CE

FEATURES/BENEFITS

- Meets "Dead Front" requirements and IEC Type IP20 protection.
- Mountable on 35mm DIN-Rail.
- Blown fuse identification (Indicating versions only).
- Easy installation and removal of fuses. No special fuse pullers or tools required.
- UL listed for branch circuit protection.
- Ventilated design for cooler operation.

ORDERING INFORMATION

Littelfuse Catalog No.	Littelfuse System No.	No. of Poles	Pack Qty.	Voltage Rating	Ampere Rating	Options
LPSJ30-1	LPSJ301.Z	1	6	600V	30A	–
LPSJ30-2	LPSJ302.Z	2	3	600V	30A	–
LPSJ30-3	LPSJ303.Z	3	2	600V	30A	–
LPSJ30-1ID	LPSJ301.ZXID	1	6	600V	30A	Indicating
LPSJ30-2ID	LPSJ302.ZXID	2	3	600V	30A	Indicating
LPSJ30-3ID	LPSJ303.ZXID	3	2	600V	30A	Indicating
LPSJ60-1	LPSJ601.Z	1	6	600V	60A	–
LPSJ60-2	LPSJ602.Z	2	3	600V	60A	–
LPSJ60-3	LPSJ603.Z	3	2	600V	60A	–
LPSJ60-1ID	LPSJ601.ZXID	1	6	600V	60A	Indicating
LPSJ60-2ID	LPSJ602.ZXID	2	3	600V	60A	Indicating
LPSJ60-3ID	LPSJ603.ZXID	3	2	600V	60A	Indicating

Contact Littelfuse for dimensions.

POWR-Covers - Fuse Block Covers



Littelfuse fuse block covers protect personnel from accidentally contacting energized contacts. Covers are available for Class H, R, J, and CD type fuses up to 100 amps.

ORDERING INFORMATION

Littelfuse Part Number	For Use With Fuse Block Number	Voltage	Amp	Fuse Class
LH25030-PC	LH25030/LR25030 series	250	30	H/R
LH25060-PC	LH25060/LR25060 series	250	60	H/R
LH25100-PC	LH25100/LR25100 series	250	100	H/R
LH60030-PC	LH60030/LR60030 series	600	30	H/R
LH60060-PC	LH60060/LR60060 series	600	60	H/R
LH60100-PC	LH60100/LR60100 series	600	100	H/R
LJ60030-PC	LJ60030 series only	600	30	J
LJ60060-PC	LJ60060 series only	600	60	J
LJ60100-PC	LJ60100 series only	600	100	J
L60060C-PC	L60060C series only	600	60	CD

SPECIFICATIONS

Voltage Rating: 600 Volts

Ampere Rating: Class H: 0-100 amps

Class R: 0-100 amps

Class J: 0-100 amps

Class CD: 60 amps

Material: Thermoplastic

Approvals: UL Listed (File No: E184929)

CSA Certified (File No: LR7316)

FEATURES/BENEFITS

- Meets "Dead Front" requirements and IEC Type IP20 Protection for most applications (see note)
- Easily gangable with optional "gang-slide" adapters
- Added safety to personnel
- Unique design allows Littelfuse Indicator™ fuses to be seen through covers
- Ventilated to avoid fuse derating
- Covers are reusable
- Covers fit most competitor blocks
- Designed to meet IEC Type IP20 Protection

For "Gang Slide" Adapters order:

PCGS-2 for 2 poles

PCGS-3 for 3 poles

NOTE: Contact Factory for specific applications.

Fuse Pullers



Littelfuse fuse pullers are the safe way of handling power fuses.

Littelfuse's new ergonomically-designed fuse puller offers greater ease in removing fuses. This new molded design is superior to standard pullers because it offers a more comfortable and natural grip when pulling fuses, improving performance. Part No. LPFP

PART NUMBER & APPLICATION

Midget Fuse Puller

MFP: For 3/16" to 1/2" dia. fuses.

Pocket Fuse Puller

LPFP: For 0 – 200A 250V,
0 – 100A 600V
(9/16" – 1-19/32" dia. fuses)

Giant Fuse Puller

GFP: 61 – 600A 250V,
61 – 400A 600V
(1-1/16" – 2-19/32" dia. fuses)

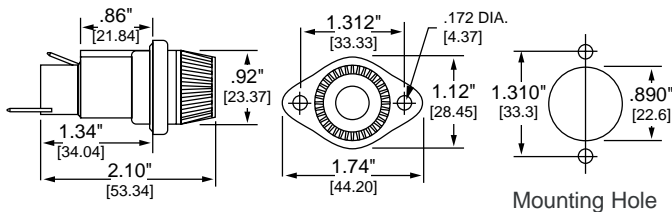
Tri-Puller

097023: For ATO® and glass fuses.

571 Series Panel Mounted Fuseholders



Panel mount fuseholders are available for supplementary or Class CC branch circuit protection. Class CC fuses have a rejection feature on one end cap which mates with the rejection feature of Littelfuse Class CC fuse blocks and fuseholders to prevent the installation of fuses with lower voltage ratings or interrupting ratings. Watertight version must be front panel mounted.



SPECIFICATIONS

Voltage Rating: 600 Volts

Ampere Rating: 30 amperes for Class CC and Midget fuses

Dielectric strength: 4000 Volts

Terminals: Tin-plated brass combination solder and quick-connect

Molded parts: Black thermoplastic

Approvals: UL Recognized (File No. E14721) — 571 series
UL Recognized for branch circuit protection — 571 OCC/RCC

CSA Certified (File No. LR7316)

ORDERING INFORMATION

Part Number		Bottom Terminal	Fuse Length Range*	For Use With
Standard	Watertight			
571 027	571 027P	Straight Rt. Angle	1 ⁵ / ₁₆ " — 1 ³ / ₈ "	Midget Fuses
571 028	571 028P			
571 007	571 007P	Straight Rt. Angle	1 ¹³ / ₃₂ " — 1 ¹ / ₂ "	Midget Fuses
571 008	571 008P			
571 OCC	571 OCCP	Straight Rt. Angle	1 ¹ / ₂ "	Class CC Fuses
571 RCC	571 RCCP			

* Fuse diameter is 1³/₃₂".

O-Rings: 901-184 (body)
901-260 (knob)

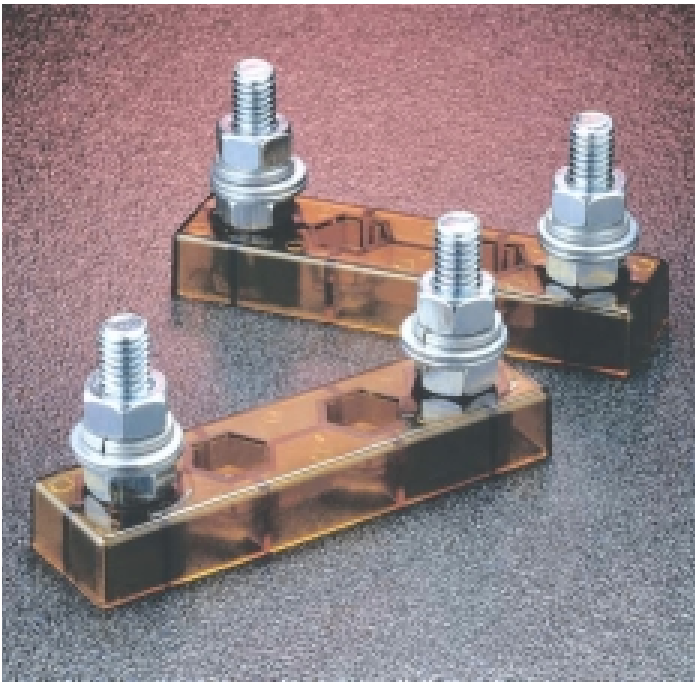
POWR-JAW Clip Clamps



POWR-JAW clamps improve the contact between fuse and clip. The unnecessary heat from poor contact due to the loss of spring force in the clips can cause nuisance fuse opening and premature aging of surrounding components.

- High temperature phenolic resin knob designed for the most severe environments.
- 7 sizes to provide effective coverage.
- Simple design makes installation easy.

Part Number	Volts	Amperes
LCC 1	250	0-30
LCC 2	250	35-60
LCC 2	600	0-30
LCC 4	600	35-60
LCC 5	250/600	70-100
LCC 6	250/600	110-200
LCC 7	250/600	225-400
LCC 8	250/600	450-600



SPECIFICATIONS

Voltage Rating: 130 VAC/VDC

Ampere Range: 1 – 400 amperes

Approvals: Pending

Construction: Base — thermoplastic
Studs — steel zinc plated

RECOMMENDED FUSES

Littelfuse CNL/CNN limiter fuses and competitors' equivalents.

ORDERING INFORMATION

Example catalog number: LFFB001

Example system number: LFFB0001Z

The Littelfuse LFFB fuse block is designed to accept **CNL and CNN style limiter fuses**. Typical applications include: forklifts, golf carts, and other low voltage battery-operated equipment.

DIMENSIONS

