

USA / Canada - Class H / K5 and R Fuse Blocks



SPECIFICATIONS

Voltage Rating: 250 Volts; 600 Volts
Ampere Ratings: 0 – 600 amperes
Approvals: UL Listed, CSA Certified



Class H fuse blocks are for use with Class H/K5 fuses, which have an interrupting rating of up to 50,000 amperes.

When higher interrupting ratings are required, use Class R fuses (200,000 A.I.R.) and Class R fuse blocks.

Class R fuse blocks are dimensionally the same as Class H blocks, but incorporate a rejection feature which allows only Class R fuses to be inserted.

FEATURES/BENEFITS

Class H and Class R fuse blocks feature a one-piece fuse clip design for positive electrical contact and minimum heat rise. Side barriers provide isolation between poles. Bases on most blocks are of molded phenolic or thermoplastic, UL rated at 150° C.

RECOMMENDED FUSES

Class H Blocks		Class R Blocks	
250V	600V	250V	600V
NLN	NLS	FLNR	FLSR/FLSR_ID
RLN	RLS	KLNR	KLSR
		LLNRK	LLSRK/LLSRK_ID
		TLN	IDSR

Wire Connectors:

Fuse holders are available with three types of wire connectors.

S — **Screw Connector**

An economical connector for use with a wire, or either a ring or spade type terminal. Screw is #10-32 steel.

SQ — **Screw Connector w/Quick Connects**

Same as screw connector with additional quick connect options.

SP — **Sems Pressure Connector**

A positive pressure connector eliminating the need for a wire terminal. Ideal for use where there is a vibration problem. Sems pressure screw is #10-32 steel.

SPQ — **Sems Pressure Connector w/Quick Connects**

Same as Sems connector with additional quick connect options.

B — **Box Connector**

Suitable for use with stranded or solid wire. Connector is aluminum tin plated.

Copper Box Connectors are available on 30 and 60 amp fuse holders. Add CU after the catalog number.



To learn more about B-I-A please visit us at our
WEB site: www.BiaGmbH.com



250 Volt Std.	250 Volt Reinforced	Poles	Amp	Base Materials	Wire Range	Fuse Size	Class H / K Fuses	
F30A1S	RF30A1S	1	30	Thermoplastic	#10-#22 AWG CU	9/16" DIA BY 2"	A2Y CRN NLN NON NRN OT OTN RLN RF	
F30A2S	RF30A2S	2						
F30A3S	RF30A3S	3						
F30A1SP	RF30A1SP	1			#10-#14 AWG CU			
F30A2SP	RF30A2SP	2						
F30A3SP	RF30A3SP	3						
F30A1B	RF30A1B	1			#6-#14 AWG CU			
F30A2B	RF30A2B	2						
F30A3B	RF30A3B	3						
F60A1SQ*	RF60A1SQ*	1	60	Phenolic	#10-#22 AWG CU	13/16" DIA BY 3"		
F60A2SQ*	RF60A2SQ*	2						
F60A3SQ*	RF60A3SQ*	3						
F60A1B	RF60A1B	1			#2-#14 AWG CU #2-#12 AWG AL			
F60A2B	RF60A2B	2						
F60A3B	RF60A3B	3						
RF100A1B	SAME	1	100	Phenolic	#2/0-#14 AWG CU #2/0-#12 AWG AL	1" DIA BY 5 7/8"		
RF100A2B		2						
RF100A3B		3						
F200A1BE		1	200	Polyester	250 kcmil - #6 AWG CU AL		1 1/2" DIA BY 7 1/8"	
F200A3BE								3
RF400A1B		1	400	Phenolic	(2) 350 kcmil - #6 AWG CU AL		2 13/32" DIA BY 8 5/8"	
RF400A3B								3
F600A1B		N/A	1	600	Phenolic		(2) 500 kcmil - #4 AWG CU AL	2 29/32" DIA BY 10 3/8"
F600A3B			3					

*UL Recognized

600 Volt Std.	600 Volt Reinforced	Poles	Amp	Base Materials	Wire Range	Fuse Size	Class H / K Fuses	
6F30A1S	R6F30A1S	1	30	Phenolic	#10-#22 AWG CU	13/16" DIA BY 5"	A6Y CRS NLS NOS NRS OTS RES RFS RLS	
6F30A2S	R6F30A2S	2						
6F30A3S	R6F30A3S	3						
6F30A1SP	R6F30A1SP	1			#10-#14 AWG CU			
6F30A2SP	R6F30A2SP	2						
6F30A3SP	R6F30A3SP	3						
6F30A1B	R6F30A1B	1			#6-#14 AWG CU			
6F30A2B	R6F30A2B	2						
6F30A3B	R6F30A3B	3						
6F60A1B	R6F60A1B	1	60	Phenolic	#2-#14 AWG CU #2-#12 AWG AL	1 1/16" DIA BY 5 1/2"		
6F60A2B	R6F60A2B	2						
6F60A3B	R6F60A3B	3						
R6F100A1B	SAME	1	100	Phenolic	#2/0-#14 AWG CU #2/0-#12 AWG AL	1 11/32" DIA BY 7 7/8"		
R6F100A2B		2						
R6F100A3B		3						
6F200A1BE		1	200	Polyester	250 kcmil - #6 AWG CU AL		1 3/4" DIA BY 9 5/8"	
6F200A3BE								3
R6F400A1B		1	400	Phenolic	(2) 350 kcmil - #6 AWG CU AL		2 29/32" DIA BY 11 5/8"	
R6F400A3B								3
6F600A1B		N/A	1	600	Phenolic		(2) 500 kcmil - #4 AWG CU AL	3 7/16" DIA BY 13 3/8"
6F600A3B			3					

Contact Factory for Stud Options

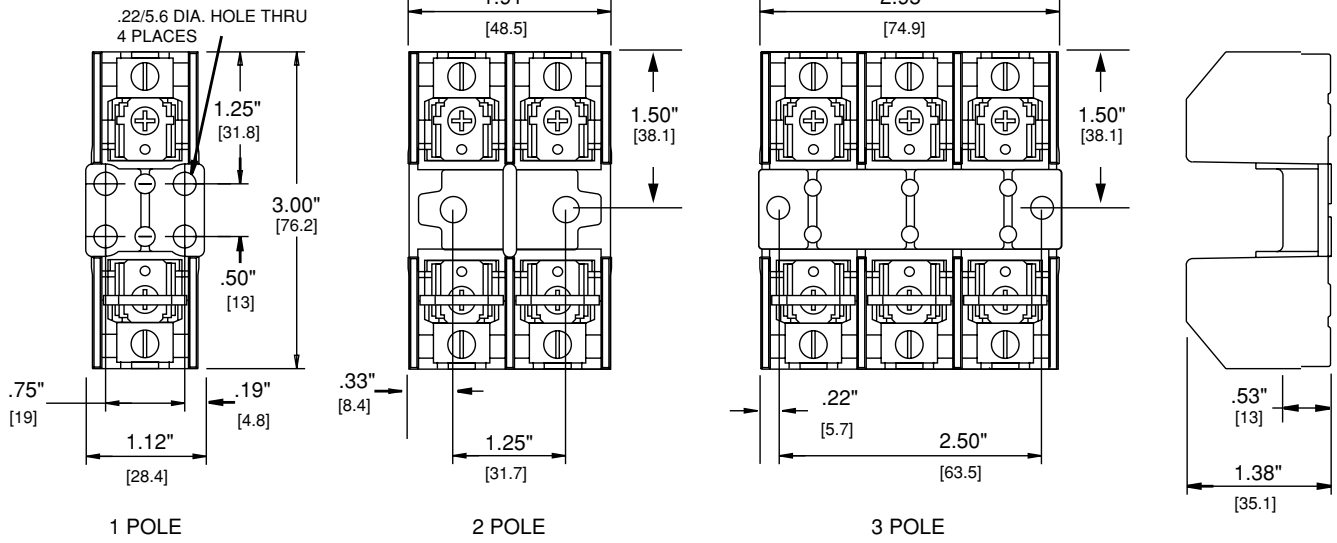
250 Volt Std.	250 Volt Reinforced	Poles	Amp	Base Materials	Wire Range	Fuse Size	Class R Fuses			
R30A1S R30A2S R30A3S	SAME	1 2 3	30	Thermoplastic	#10-#22 AWG CU	9/16" DIA BY 2"	A2D-R A2K-R DLN-R FLNR FRN-R KLNR KTS-R LLNRK LPN-RK TLN TR-R			
R30A1SP R30A2SP R30A3SP		1 2 3			#10-#14 AWG CU					
R30A1B R30A2B R30A3B		1 2 3			#6-#14 AWG CU					
R60A1SQ* R60A2SQ* R60A3SQ*		1 2 3			60			Thermoplastic	#10-#22 AWG CU	13/16" DIA BY 3"
R60A1B R60A2B R60A3B		1 2 3							#2-#14 AWG CU #2-#12 AWG AL	
R100A1B R100A2B R100A3B		1 2 3							100	
R200A1BE R200A3BE		1 3	200	Polyester	250 kcmil - #6 AWG CU AL	1 1/2" DIA BY 7 1/8"				
R400A1B R400A3B		1 3	400	Phenolic	(2) 350 kcmil - #6 AWG CU AL	2 13/32" DIA BY 8 5/8"				
R600A1B R600A3B		1 3	600		(2) 500 kcmil - #4 AWG CU AL	2 29/32" DIA BY 10 3/8"				
		N/A								

*UL Recognized

600 Volt Std.	600 Volt Reinforced	Poles	Amp	Base Materials	Wire Range	Fuse Size	Class R Fuses			
6R30A1S 6R30A2S 6R30A3S	SAME	1 2 3	30	Phenolic	#10-#22 AWG CU	13/16" DIA BY 5"	A6D-R A6K-R DLS-R FLSR FLSR_ID FRS-R IDSR KLSR KTS-R LLSRK LLSRK_ID LPS-RK TRS-R			
6R30A1SP 6R30A2SP 6R30A3SP		1 2 3			#10-#14 AWG CU					
6R30A1B 6R30A2B 6R30A3B		1 2 3			#6-#14 AWG CU					
6R60A1B 6R60A2B 6R60A3B		1 2 3			60			Phenolic	#2-#14 AWG CU #2-#12 AWG AL	1 1/16" DIA BY 5 1/2"
6R100A1B 6R100A2B 6R100A3B		1 2 3			100				#2/0-#14 AWG CU #2/0-#12 AWG AL	1 11/32" DIA BY 7 7/8"
6R200A1BE 6R200A3BE		1 3			200				Polyester	250 kcmil - #6 AWG CU AL
6R400A1B 6R400A3B		1 3	400	Phenolic	(2) 350 kcmil - #6 AWG CU AL	2 29/32" DIA BY 11 5/8"				
6R600A1B 6R600A3B		1 3	600		(2) 500 kcmil - #4 AWG CU AL	3 7/16" DIA BY 13 3/8"				
		N/A								

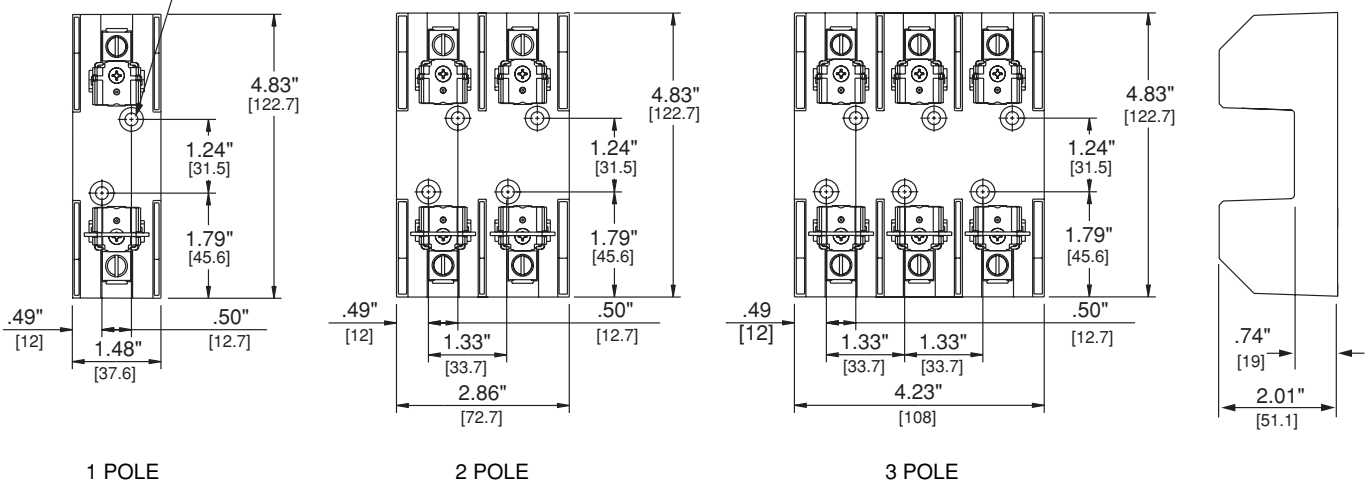
Contact Factory for Stud Options

250V 30A



250V 60A

.218/[5.54] DIA.
 C'BORE .400/[10.16] DIA. X .63[16] DP



250V 100A

.28 (7.1) THRU
 .53 (13.5) C'BORE x .60 (15.2) DP

