

## USA / Canada / Mexico Snap-In Convenience Outlets

### Specifications

- Body: Molded plastic, black or white.
- Clip: Plastic serrated clip with integral back cover — for thick panels, or Steel clip with corrosion-resistant finish.
- Leads: Standard leads are #14 AWG black and white; green lead #16 AWG 105°C AWM-TEW.
- Ratings: 15 Amp. / 125V AC, NEMA 5-15R, 5-15P, or NEMA 1-15R
- UL Listed or UL Recognized Component, CSA and NOM Certified.

Please see Document for further Items, Specifications and Dimensions



Catalog No.	Description	Weight/ea	VPE/Pack	EDP-No.
<b>1374-001</b>	Snap-In Convenience Outlet, NEMA 5-15R	25 g	100/10	<b>100101</b>
<b>1306-000</b>	Flat-Head Convenience Outlet, NEMA 1-15R	16 g	100/10	<b>100093</b>

## Snap-In Outlets and Plugs

### Table of Contents

2-Pole, 3-Wire Grounding .....	02-06
Grounding Outlet with Grounding Lead .....	02-05
Grounding Plug .....	05
Grounding Outlet With Solder Lug or Screw Terminal Ground .....	06
Outlet with Back-Strap Mounting .....	07
Flat-Head Convenience Outlets .....	07

### Quick Guide to Snap-In Outlets and Plugs

Panel Cutout Dimensions	Description	Cat. No.	UL	CSA	NOM	Page No.
.953 x .953 (24.2 x 24.2)mm	Grounding outlet with grounding lead	1374 (-001 to -500)	√	√	√	02-05
.953 x .953 (24.2 x 24.2)mm	Grounding plug	1373	√	√	—	05
.953 x .953 (24.2 x 24.2)mm	Grounding outlet with solder lug or screw terminal ground	1374 (-625 to -675)	*	√	—	06
		1374 (-725 to -775)	√	√	√	06
.969 x .516 (24.6 x 13.1)mm	Outlets	306	√	√	√	07
		1306	√	√	√	07
		298	*	—	√	07

\*UL Recognized Component

NOTE: Dimensions in parentheses are in millimeters. All other dimensions are in inches.



## Snap-In Convenience Outlets

### Body:

Molded plastic, black or white.

### Clip:

Plastic serrated clip with integral back cover—for thick panels, or Steel clip with corrosion-resistant finish.

Steel clip available in three styles:

— Serrated clip

— .020"-thick pointed clip—for thin metal panels.

— .025"-thick pointed clip—for plastic or heavier metal panels.

(For pointed clip: Unless otherwise specified, .025" clip will be standard)

### Leads:

Standard leads are: two leads, one black and one white, No. 14 AWG 105°C AWM-TEW plastic insulated wire, 6" long, stripped 1/2"; and one green lead, No. 16 AWG 105°C AWM-TEW plastic insulated wire, 6" long, stripped 1/2". White lead to polarized slot.

For other lead specifications, please state wire type, lead length and stripping.

### Special or Optional Terminations

(Plastic Clips not available)

**Cat. No. 1374-500:** (2) .250" Quick-connect tabs. (1) Green grounding lead, No. 16 AWG 105°C AWM-TEW plastic insulated wire, 6" long, stripped 1/2". (See page 05)

**Cat. Nos. 1374-625, -650, -675, -725, -750, -775:** Same as above; also ground termination available as screw or solder lug. (See page 06)

**Standard pack:** bulk.

### When ordering Cat. No. 1374, please specify:

—Catalog—dash number

—Clip style, and if metal pointed clip, .020" or .025" thick.

—Panel thickness (see diagram below).

—Body color: Black or white. Other colors available on special order based on quantity requirements.

—Style number: 1,2,3 or 4 (See page 03)

—Special marking (on request).

—Leads: Type color, length (dimensions A, B, C & D) stripping (dimensions A1, B1, C1 & D1) terminations (if other than standard) See page 03.

• 15A-125V • UL Listed E-13399

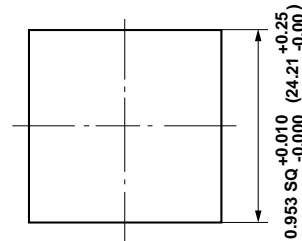
• CSA Certified LR-2781

• NOM Certified 057

• NEMA 5-15R



### PANEL OPENING

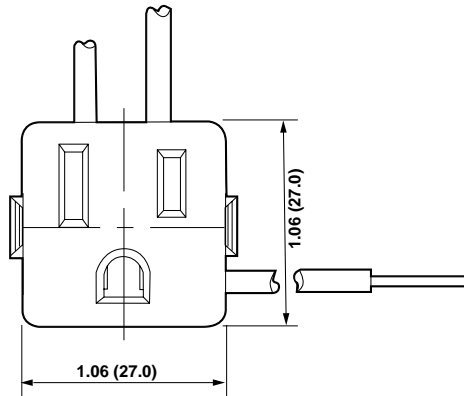


FOR PANEL THICKNESS: .031-.080 (0.79-2.03),  
METAL POINTED OR  
METAL SERRATED CLIP

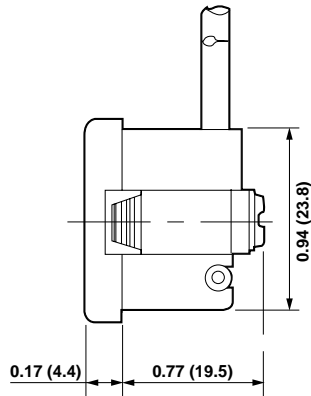
FOR PANEL THICKNESS: .080-.125 (2.03-3.18),  
METAL SERRATED OR  
PLASTIC SERRATED CLIP

IMPORTANT: PLEASE SPECIFY PANEL THICKNESS  
AND CLIP STYLE

NOTE: Dimensions in parentheses are in millimeters. All other dimensions are in inches.

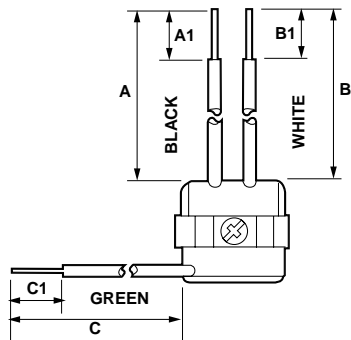


Cat. No. 1374-001

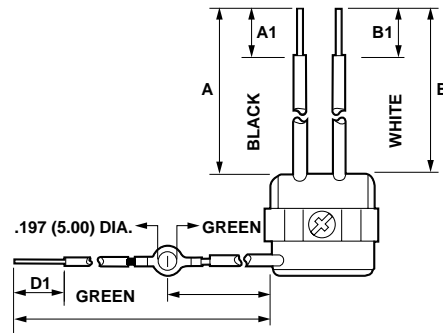


1374-001

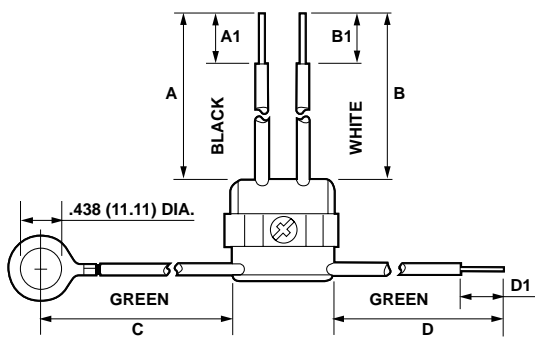
Cat. No.	Style	A	A1	B	B1	C	C1	D	D1
1374-001	1	6 (152.4)	1/2 (12.7)	6 (152.4)	1/2 (12.7)	6 (152.4)	1/2 (12.7)	—	—
1374-002	2	6 (152.4)	1/2 (12.7)	6 (152.4)	1/2 (12.7)	6 (152.4)	—	12 (304.8)	1/2 (12.7)
1374-003	3	6 (152.4)	1/2 (12.7)	6 (152.4)	1/2 (12.7)	6 (152.4)	—	6 (152.4)	1/2 (12.7)
1374-004	4	6 (152.4)	1/2 (12.7)	6 (152.4)	1/2 (12.7)	6 (152.4)	—	6 (152.4)	1/2 (12.7)



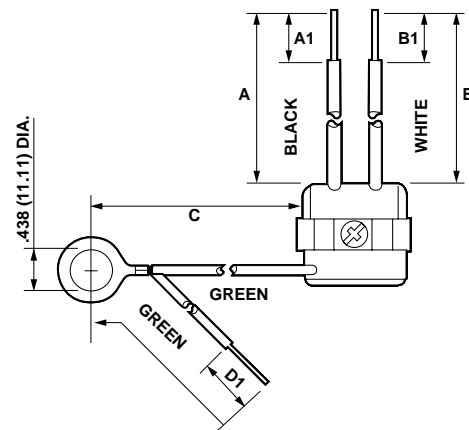
Cat. No. 1374-001 (Style 1)



Cat. No. 1374-002 (Style 2)



Cat. No. 1374-003 (Style 3)

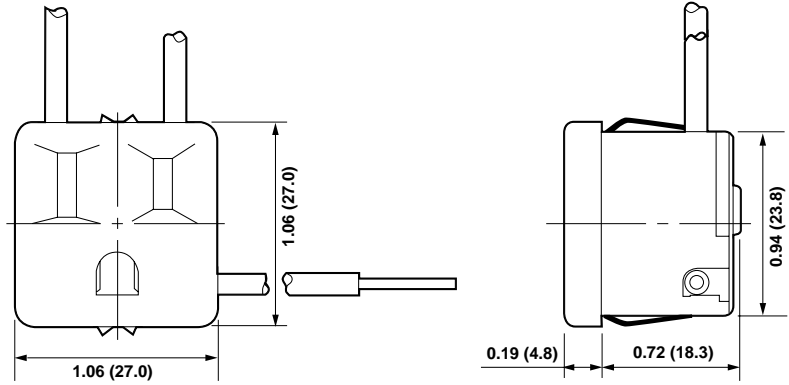


Cat. No. 1374-004 (Style 4)

NOTE: Dimensions in parentheses are in millimeters. All other dimensions are in inches.

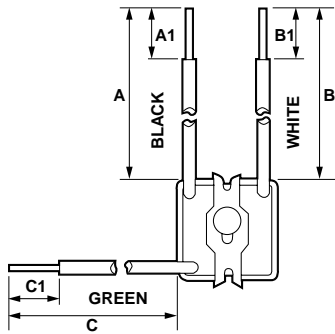


1374-201

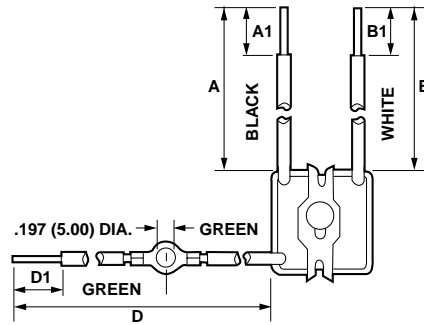


Cat. No. 1374-201

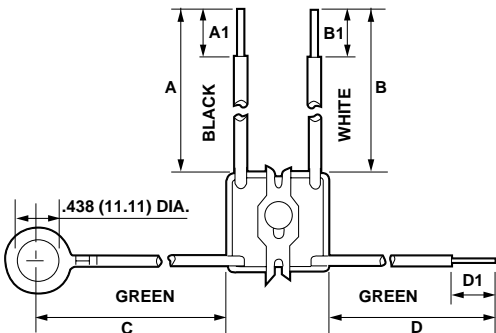
Cat. No.	Style	A	A1	B	B1	C	C1	D	D1
1374-201	1	6 (152.4)	1/2 (12.7)	6 (152.4)	1/2 (12.7)	6 (152.4)	1/2 (12.7)	—	—
1374-202	2	6 (152.4)	1/2 (12.7)	6 (152.4)	1/2 (12.7)	6 (152.4)	—	12 (304.3)	1/2 (12.7)
1374-203	3	6 (152.4)	1/2 (12.7)	6 (152.4)	1/2 (12.7)	6 (152.4)	—	6 (152.4)	1/2 (12.7)
1374-204	4	6 (152.4)	1/2 (12.7)	6 (152.4)	1/2 (12.7)	6 (152.4)	—	6 (152.4)	1/2 (12.7)



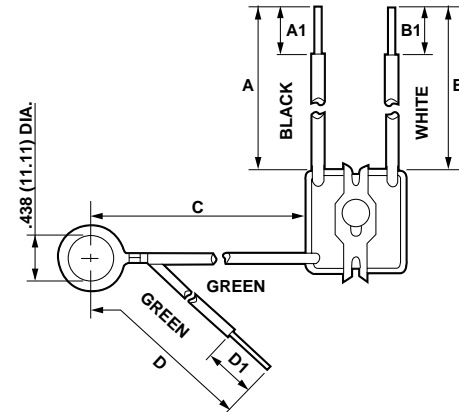
Cat. No. 1374-201 (Style 1)



Cat. No. 1374-202 (Style 2)



Cat. No. 1374-203 (Style 3)




Cat. No. 1374-204 (Style 4)

NOTE: Dimensions in parentheses are in millimeters. All other dimensions are in inches.

## Snap-In Convenience Outlets & Plugs


**Cat. No. 1374-500:** 3-wire grounding outlet with polarized quick-connect tabs, ground lead and steel pointed clip with corrosion-resistant finish, for panel thickness .031"-.080" (0.79-2.03).

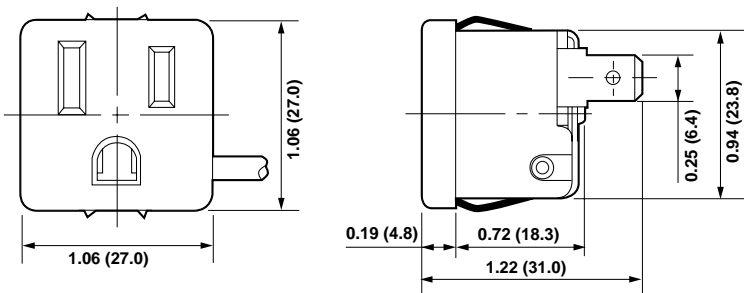
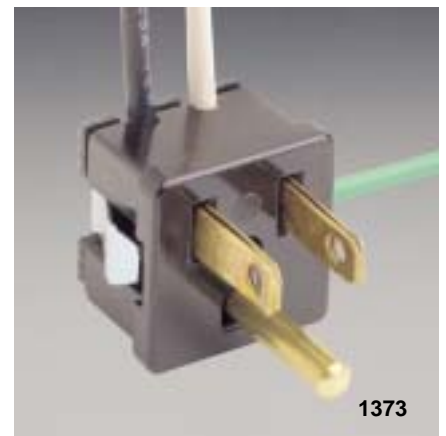
- 15A-125V • UL Listed E-13399
- CSA Certified LR-2781 • NOM Certified 057 • NEMA 5-15R 

**Cat. No. 1373:** 3-wire grounding power plug. Molded plastic body, black or white. Other colors available on special order based on quantity requirements. Steel serrated clip with corrosion-resistant finish. Two blades and grounding pin are brass.

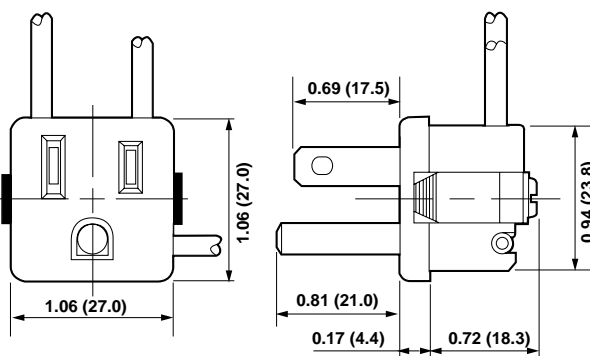
**Leads:** Standard leads are one black, one white, No. 14 AWG 105°C AWM-TEW plastic insulated wire, 6" long, stripped 1/2"; and one green, No. 16 AWG 105°C AWM-TEW plastic insulated wire, 6" long, stripped 1/2".

**Standard pack:** bulk

- 15A-125V • UL Listed E-13393
- CSA Certified LR-2781 • NEMA 5-15P 

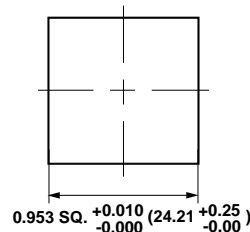


Cat. No. 1374-500



Cat. No. 1373

### PANEL OPENING



For .031-.080 (0.79-2.03) Thick Panels Only

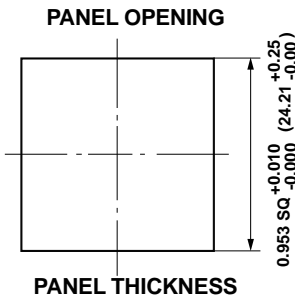
NOTE: Dimensions in parentheses are in millimeters. All other dimensions are in inches.

## 1374 Series

- 15A-125V • CSA Certified LR-2781
- NOM Certified 057 • NEMA 5-15R



Devices with solder lugs are UL Recognized **UL** E-13399  
 Devices with terminal screws are UL Listed E-13399



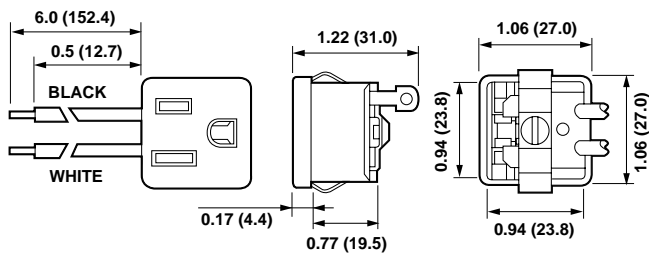
Important: please specify panel thickness and clip style:

For .031"-.080" (0.79-2.03)—  
metal pointed clip or serrated clip

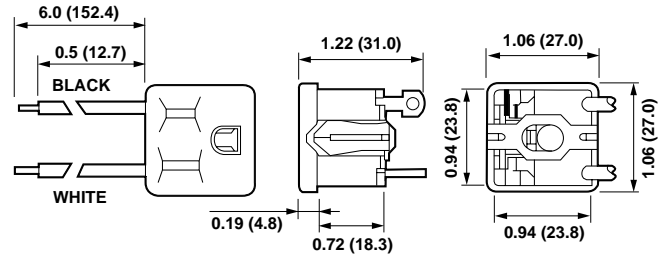
For .080"-.125" (2.03-3.18)—  
metal serrated clip only

Cat. No.	Clip Style	Ground Connection	Termination
1374-625	Serrated	Solder Lug	6" Leads
1374-650	.025"(0.64)* Pointed	Solder Lug	6" Leads
1374-675	.025"(0.64)* Pointed	Solder Lug	Quick Connect Tabs
1374-725	Serrated	Screw Terminal	6" Leads
1374-750	.025"(0.64)* Pointed	Screw Terminal	6" Leads
1374-775	.025"(0.64)* Pointed	Screw Terminal	Quick Connect Tabs

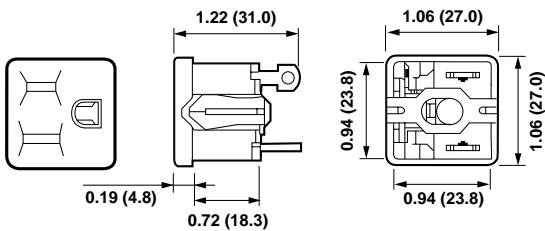
\*Can also be specified with a .020"(0.51) Pointed Clip.  
 .025"(0.64) is the supplied standard size.



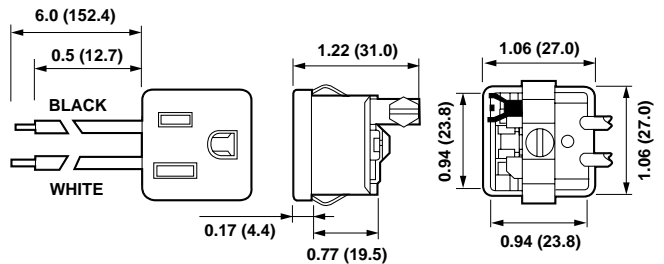
**Cat. No. 1374-625** with serrated clip, wire lead terminations, and solder lug ground connection



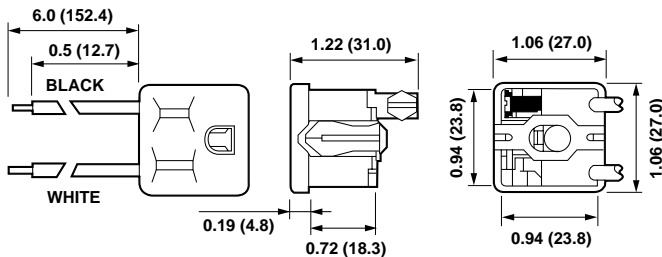
**Cat. No. 1374-650** with pointed clip, wire lead terminations, and solder lug ground connection



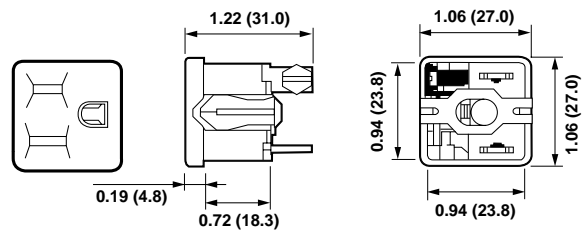
**Cat. No. 1374-675** with pointed clip, quick connect terminations, and solder lug ground connection



**Cat. No. 1374-725** with serrated clip, wire lead terminations, and screw terminal ground connection



**Cat. No. 1374-750** with pointed clip, wire lead terminations, and screw terminal ground connection



**Cat. No. 1374-775** with pointed clip, quick connect terminations, and screw terminal ground connection

NOTE: Dimensions in parentheses are in millimeters. All other dimensions are in inches.

## Back-Strap Mounting


**Cat. No. 306:** For surface mounting, adapted for use with flat-type plugs. Round plugs may be used when properly protected.

**Leads:** Standard leads are No. 14 AWG 105°C AWM-TEW plastic insulated wire, 6" long, stripped 3/4", internally soldered. Other leads available on inquiry.

**Body:** Plastic, black or white.

**Clip:** Steel with corrosion-resistant finish.

**Standard pack:** bulk

- 15A-125V Polarized • UL Listed E-13399 (Cat. No. 306)
- CSA Certified LR-2781 • NOM Certified 057 • NEMA 1-15R 



Cat. No.	Description	Leads
306-000	Black	14 ga.
306-00W	White	14 ga.

## Flat-Head Convenience Outlet

**Cat. No. 1306:** For snap-in mounting applications where a grounding wire is not required.



**Leads:** Standard leads are No. 14 AWG 105°C AWM-TEW plastic insulated wire, 6" long, stripped 3/4". Other leads available on inquiry.

**Body:** Plastic, black or white.

**Clip:** Plastic serrated clip with integral back cover, metal clip is optional.

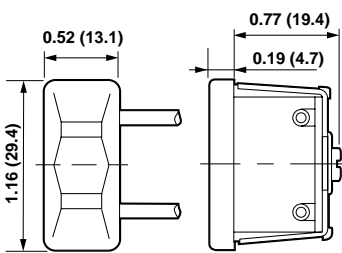
**Cat. No. 298:** Same specifications as 1306, but with No. 18 AWG leads.

**Standard pack:** bulk

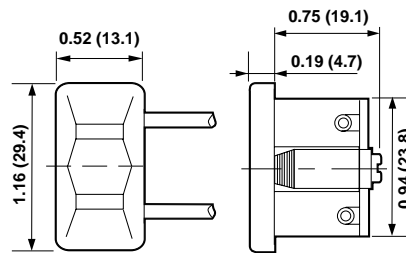
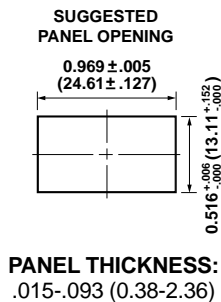
- 15A-125V Polarized • UL Listed E-13399 (Cat. No. 1306)
- UL Recognized Component  (Cat. No. 298)
- CSA Certified LR-2781 (Cat. No. 1306) • NOM Certified 057 • NEMA 1-15R 



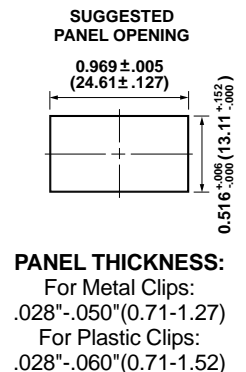
Cat. No.	Description	Leads
1306-000	Black	14 ga.
1306-00W	White	14 ga.
298-000	Black	18 ga.
298-00W	White	18 ga.



Cat. No. 306



Cat. Nos. 1306, 298



NOTE: Dimensions in parentheses are in millimeters. All other dimensions are in inches.