

## USA / Canada / Mexico

### Watertight and Dust-Tight Plugs and Connectors



#### Features

- Available in 15A and 20A 3-wire Straight Blade as well as 15A, 20A and 30A 3-, 4-, 5- wire NEMA and non-NEMA Locking configurations
- Ethylene Propylene Thermoplastic Rubber (EPTR) outer body for non-slip grip; UV stable and excellent resistance to fungal growth.
- Solid electroless nickel coated plug blades and single piece connector contacts.
- Fast threading, non-magnetic, stainless-steel assembly screws feature combination double-drive Phillips/straight blade screw heads.
- UL Listed and CSA Certified for the environmental ratings specified by UL 50 NEMA Type 4, 4x, 6 and 6P and complies with Ingress Protection (IP) 66 and 67 ratings of IEC 529, NOM Certified.



Locking Devices

Straight Blade Devices



#### Applications



##### Food Processing

For areas exposed to high pressure wash-downs, cleaning agents and rough handling



##### Chemical Processing

In areas exposed to water and corrosive chemicals



##### Manufacturing

In industrial settings subject to chemicals, contaminants, water, impact shocks, crushing and rough use



##### Agriculture

Farm applications such as outdoor fans, heaters and related cord connected equipment



##### Wastewater Treatment

Safe electrical connections in areas exposed to moisture and chemicals



##### Entertainment

Sound and lighting applications effected by weather and temperature changes

#### De nition

Wetguard devices are specifically designed to be used in wet, damp and dusty locations. When Wetguard devices are used in combination, they provide safe and reliable watertight connections. Wetguard devices meet or exceed the environmental requirements of UL 50 NEMA 4, 4X, 6, 6P high pressure washdown, and IEC 529 Ingress Protection (IP) 66 and 67 temporary submersion.

Wetguard devices utilize patented Ethylene Propylene Thermoplastic Rubber (EPTR) bonded to a nylon substrate that provides an ergonomic surface for a comfortable non-slip grip and a tight secure seal.

The excellent mechanical properties of Wetguard EPTR extend over a wide range of temperature variations: -60°C to 135°C (-76°F to 275°F). In addition, it is UV stable and provides superior resistance to hot air aging, ozone and weathering, tearing, abrasion, and exhibits a high degree of low temperature flexibility. Wetguard's permeability resistance to water, either in saturated vapor or in liquid is excellent. The devices' chemical resistance to acids, bases, oils and grease is equally outstanding.



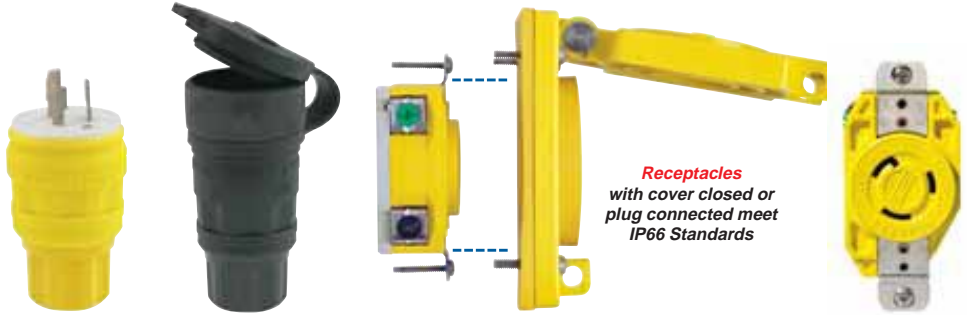
## Product Line Section Contents



**Wetguard Products**  
Are Engineered to Meet  
or Exceed UL and IEC  
Watertight Standards

**Plugs & Connectors**  
mated or with closure caps  
meet IP66 & IP67 Standards

**All Wetguard Devices**  
Type 3, 3S, 4, 4X, 6 & 6P



**Receptacles**  
with cover closed or  
plug connected meet  
IP66 Standards

POLES/WIRES	AMPS	VOLTS	NEMA	PLUG		CONNECTOR W/ CLOSURE CAP		CORROSION RESISTANT RECEPTACLE, COVER, GASKET	CORROSION RESISTANT RECEPTACLE	PAGE NO.
				YELLOW	BLACK	YELLOW	BLACK			
<b>Straight Blade</b> 2-Pole 3-Wire Grounding	15	125V	5-15	14W47	14W47-B	15W47	15W47-B	60W47	5261-CR	<b>04</b>
		250V	6-15	14W49	-	15W49	-	60W49	5661-CR	
		277V AC	7-15	14W34	-	15W34	-	-	-	
	20	125V	5-20	14W33	-	15W33	-	60W33	5361-CR	<b>05</b>
		250V	6-20	14W48	-	15W48	-	60W48	5461-CR	
<b>Locking</b> 2-Pole 3-Wire Grounding	15	125V	L5-15	24W47	-	25W47	-	65W47	47CM-10	<b>04</b>
		250V	L6-15	24W49	-	25W49	-	65W49	45CM-60	
		277V AC	L7-15	24W34	-	25W34	-	65W34	47CM-60	
	20	125V	L5-20	26W47	26W47-B	27W47	27W47-B	67W47	23CM-10	<b>05</b>
		250V	L6-20	26W48	-	27W48	-	67W48	23CM-20	
		277V AC	L7-20	26W49	-	27W49	-	67W49	23CM-30	
<b>Locking</b> 3-Pole 4-Wire Grounding	20	125/250V	L14-20	26W74	-	27W74	-	67W74	24CM-10	<b>06</b>
		3ø 250V	L15-20	26W75	-	27W75	-	67W75	24CM-20	
		3ø 480V	L16-20	26W76	-	27W76	-	67W76	24CM-30	
<b>Locking</b> 3-Pole 3-Wire Non-Grounding	20	125/250V	Non-NEMA	26W08	-	27W08	-	67W08*	7310-B*	<b>06</b>
<b>Locking</b> 4-Pole 4-Wire Non-Grounding	20	3øY 120/208V	Non-NEMA	26W09	-	27W09	-	67W09*	7410-B*	<b>06</b>
<b>Locking</b> 4-Pole 5-Wire Grounding	20	3øY 120/208V	L21-20	26W81	26W81-B	27W81	27W81-B	67W81*	2510*	<b>07</b>
		3øY 277/480V	L22-20	26W82	-	27W82	-	67W82*	2520*	
		3øY 347/600V	L23-20	26W83	-	27W83	-	67W83*	2530*	
<b>Locking</b> 2-Pole 3-Wire Grounding	30	125V	L5-30	28W47	28W47-B	29W47	29W47-B	69W47	26CM-10	<b>08</b>
		250V	L6-30	28W48	-	29W48	-	69W48	26CM-20	
		277V AC	L7-30	28W49	-	29W49	-	69W49*	2630*	
<b>Locking</b> 3-Pole 4-Wire Grounding	30	125/250V	L14-30	28W74	-	29W74	-	69W74	27CM-10	<b>08</b>
		3ø 250V	L15-30	28W75	-	29W75	-	69W75	27CM-20	
		3ø 480V	L16-30	28W76	-	29W76	-	69W76*	2730*	
		3ø 600V	L17-30	28W77	-	29W77	-	69W77*	2740*	
<b>Locking</b> 3-Pole 3-Wire Non-Grounding	30	125/250V	Non-NEMA	28W08	-	29W08	-	69W08*	3330*	<b>09</b>
<b>Locking</b> 4-Pole 4-Wire Non-Grounding	30	3øY 120/208V	Non-NEMA	28W09	-	29W09	-	69W09*	3430*	<b>09</b>
<b>Locking</b> 4-Pole 5-Wire Grounding	30	3øY 120/208V	L21-30	28W81	-	29W81	-	69W81*	2810*	<b>09</b>
		3øY 277/480V	L22-30	28W82	-	29W82	-	69W82*	2820*	
		3øY 347/600V	L23-30	28W83	-	29W83	-	69W83*	2830*	

\* Non-corrosion resistant receptacle

## Wetguard® Features

**UL 498 Listed**  
**Federal Specification WC-596 Listed**  
**CSA Specification C22.2 No.42 Certified**

WETGUARD PRODUCTS MEET  
 IP AND NEMA WATERTIGHT STANDARDS



Wetguard Products  
 Are Engineered to Meet  
 or Exceed UL and IEC  
 Watertight Standards



Superior Performance - Superior Safety



Clear back cover on wiring module for easy inspection of wired terminals

Rubber body is molded to bondable nylon substrate to maximize sealing capability

EPTR rubber parts resist water and most acids, alkalis, grease, oil, and solvents. Offers UV stability and resists fungal growth

Heavy-duty, one-piece nickel-plated brass contacts for maximum conductivity

NEMA configuration number and rating molded onto device face

Cord Ranges  
 9.5 mm min., 28.6 mm max.

Module and husk keyed for alignment

Deep-fluted finger grips make for a firm grip when tightening nut

26W47

Non-magnetic stainless steel body assembly screws prevent electro-magnetic interference

Extra large, deep wiring wells for quick, easy insertion of stranded conductors

Combination Phillips/standard assembly screws (Robertson/Slotted for Canada)

Innovative strain relief system and compression nut provide a watertight seal and prevent cord slippage

Nickel-plated brass blades, contacts, wiring screws and lugs resist corrosion

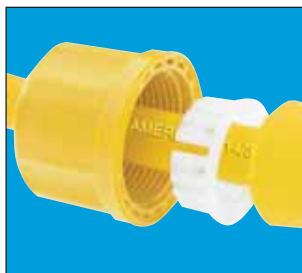
**National Electrical Code Article 100**  
 Watertight: Constructed so that moisture will not enter the enclosure under specified test conditions



Superior Performance - Superior Safety



Interlocking tongue and groove construction forms barrier against entry of dirt and moisture.



Multi-point sealing system utilizes a nut, strain relief washer and a rubber bushing to form a watertight cord grip seal.



Corrosion resistant brass nickel-plated blades pass 500 Hr. salt spray test.

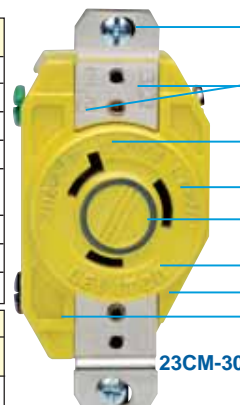


Single piece high-conductivity rivetless contacts reduce potential for overheating.

COMPONENT	DESCRIPTION
Body	Ethylene Propylene Thermoplastic Rubber
Compression Nut; Strain Relief	Nylon
Wiring Module	Thermoplastic
Bushing	Ethylene Propylene Thermoplastic Rubber
Blades/Contacts; Terminal Clamps	Nickel-Plated Brass
Terminal Screws	Nickel-Plated #10 Brass
Assembly Screws	Stainless Steel 300 Series
Wiring Module	Bondable Nylon

### STANDARDS & CERTIFICATIONS

NEMA	ANSI	UL	UL Fed Spec	CSA	NOM
WD-6	C-73	498	WC-596	C22.2 No. 42	
✓	✓	✓	#E13393	#LR-406	#057



Extra thick 1.3 mm nickel-plated brass mounting strap  
 Stamped-in agency certifications  
 Amperage & voltage rating  
 NEMA line number  
 Color-coded voltage rating  
 Manufacturer  
 Uni-body face  
 Stability ribs

**V-0-MAX**  
 CORROSION RESISTANT  
 FLUSH RECEPTACLES-UL V-0 RATING

V-0-MAX have a one-piece 0.040" thick brass, high-copper content contacts with nickel-plated clamp type terminals.

Color-Coded Voltage Ratings		
125V	250V	277V AC
125/250V	3ø250V	3ø480V

### FLAMMABILITY CLASSIFICATIONS

The UL 94 20mm Vertical Burning Test compares plastic materials in terms of three burning characteristics: Relative Speed of Burning, Ability to Extinguish Fire and Inability to Propagate Fire. The V-0-MAX Receptacle materials have earned the best rating possible: V-0

## 15 Amp, 2-Pole 3-Wire



Wetguard Products Are Engineered to Meet or Exceed UL and IEC Watertight Standards

Plugs & Connectors mated or with closure caps meet IP66 & IP67 Standards



14W47



14W47-B



15W47



15W47-B



60W47

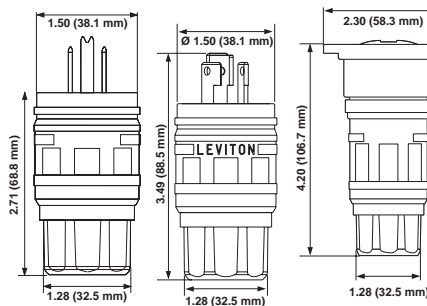
Receptacles with cover closed or plug connected meet IP66 Standards

All Wetguard Devices Type 3, 3S, 4, 4X, 6 & 6P

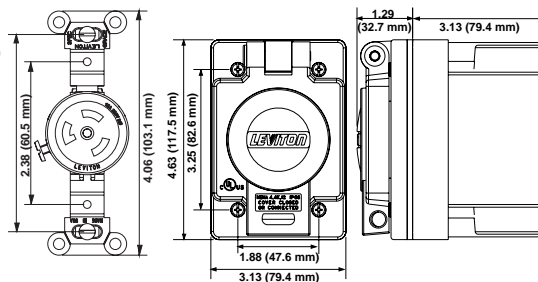


47CM-10

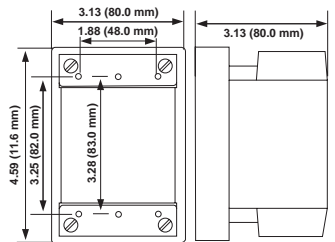
TYPE-EPTR	PLUG	NEMA PLUG	CONNECTOR w/ CLOSURE CAP	CORROSION RESISTANT RECEPTACLE, COVER, GASKET	CORROSION RESISTANT RECEPTACLE	NEMA RECEPTACLE
<b>15A 125V, 2-P 3-W, Grounding</b>						
Yellow Rubber	14W47	5-15P	15W47	60W47	5261-CR	5-15R
Black Rubber	14W47-B		15W47-B	See Page 11 for Black Catalog No.	-	
<b>15A 250V, 2-P 3-W, Grounding</b>						
Yellow Rubber	14W49	6-15P	15W49	60W49	5661-CR	6-15R
<b>15A 277V, 2-P 3-W, Grounding</b>						
Yellow Rubber	14W34	7-15P	15W34	-	-	7-15R
<b>15A 125V, 2-P 3-W, Grounding</b>						
Yellow Rubber	24W47	L5-15P	25W47	65W47	47CM-10	L5-15R
<b>15A 250V, 2-P 3-W, Grounding</b>						
Yellow Rubber	24W49	L6-15P	25W49	65W49	45CM-60	L6-15R
<b>15A 277V, 2-P 3-W, Grounding</b>						
Yellow Rubber	24W34	L7-15P	25W34	65W34	47CM-60	L7-15R



PLUGS, CONNECTORS & RECEPTACLES



FD BOX & COVER



FD BOX

Volume = 21.6 cu. in.

ELECTRICAL	
<b>DIELECTRIC VOLTAGE</b>	<b>CURRENT INTERR.</b>
Withstands 2000V per UL 498	Full rated current
<b>TEMP. RISE</b>	
Max 30°C after 250 cycles of overload at 200% of rated current	

MECHANICAL							
<b>TERMINAL I.D.</b>	<b>PRODUCT I.D.</b>	<b>DEVICE TYPE</b>			<b>CORD GRIP RANGE</b>		
Brass, hot	Ratings & NEMA I.D. permanently marked on device	15 & 20A Straight Blade & 15A Locking - 3-Wire			(9.5 - 16.6)mm #18-#10 AWG		
Grounding		20A Locking 3-, 4- & 5-Wire			(9.5 - 22.2)mm #18-#10 AWG		
White, neutral		30A Locking 3-, 4- & 5-Wire			(15.9 - 28.6)mm #12-#8 AWG		
ENVIRONMENTAL							
<b>FLAMMABILITY</b>		<b>OPERATING TEMP.</b>		<b>NEMA WD-6</b>	<b>ANSI C-73</b>	<b>UL 498</b>	<b>UL Fed Spec Listed WC-596</b>
Plugs & Connectors Rated V-2 per UL 94		Receptacles Rated V-0 per UL 94		-40°C to 60°C	✓	✓	✓
				<b>STANDARDS &amp; CERTIFICATIONS</b>			
				<b>UL 13393</b>	<b>UL 13399</b>	<b>CSA C22.2 No.42</b>	<b>NOM #057</b>
				Plugs & Connectors #E13393	Receptacles #E13399	Receptacles #LR-406	

## 20 Amp, 2-Pole 3-Wire



Wetguard Products Are Engineered to Meet or Exceed UL and IEC Watertight Standards

Plugs & Connectors mated or with closure caps meet IP66 & IP67 Standards



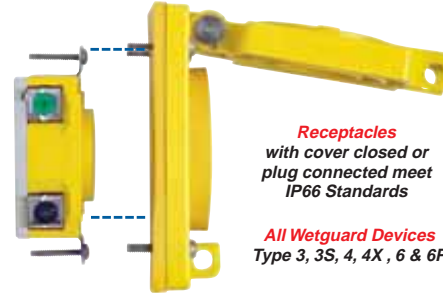
26W47



27W47



27W47-B



67W47

Receptacles with cover closed or plug connected meet IP66 Standards

All Wetguard Devices Type 3, 3S, 4, 4X, 6 & 6P



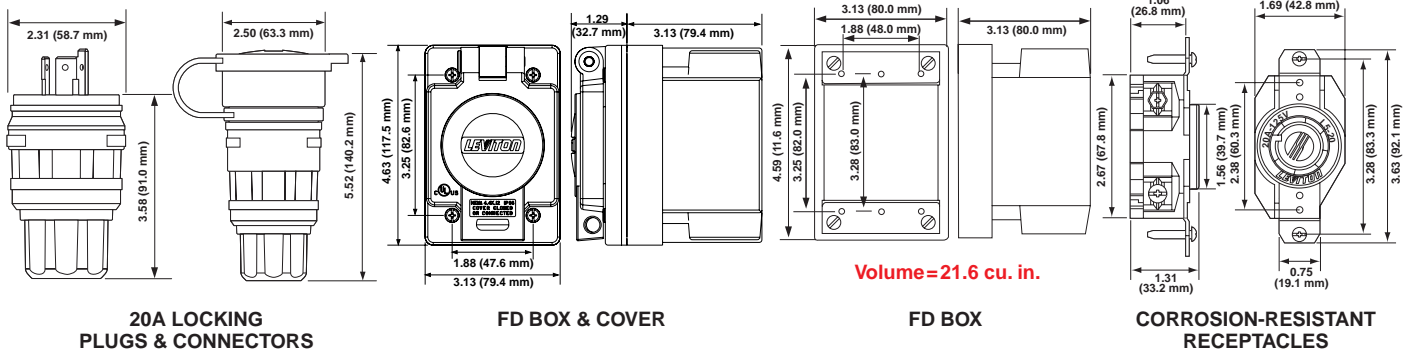
23CM-10

TYPE-EPTR	PLUG	NEMA PLUG	CONNECTOR w/ CLOSURE CAP	CORROSION RESISTANT RECEPTACLE,COVER, GASKET	CORROSION RESISTANT RECEPTACLE	NEMA RECEPTACLE
<b>20A 125V, 2-P 3-W, Grounding</b>						
Yellow EPTR	14W33	5-20P	15W33	60W33	5361-CR	5-20R
<b>20A 250V, 2-P 3-W, Grounding</b>						
Yellow EPTR	14W48	6-20P	15W48	60W48	5461-CR	6-20R
<b>20A 125V, 2-P 3-W, Grounding</b>						
Yellow EPTR	26W47	L5-20P	27W47	67W47	23CM-10	L5-20R
Black EPTR	26W47-B		27W47-B	See Page 11 for Black Catalog No.		
<b>20A 250V, 2-P 3-W, Grounding</b>						
Yellow EPTR	26W48	L6-20P	27W48	67W48	23CM-20	L6-20R
<b>20A 277V, 2-P 3-W, Grounding</b>						
Yellow EPTR	26W49	L7-20P	27W49	67W49	23CM-30	L7-20R



### Canadian Specifications: Applies to pages 04 & 05

15W16 — NEMA 15-20, 15 Amp 347V AC and 15W18 — NEMA 24-20, 20 Amp 347V AC are available. Please consult our sales office for availability.



ELECTRICAL	
<b>DIELECTRIC VOLTAGE</b>	<b>CURRENT INTERR.</b>
Withstands 2000V per UL 498	Full rated current
<b>TEMP. RISE</b>	
Max 30°C after 250 cycles of overload at 200% of rated current	

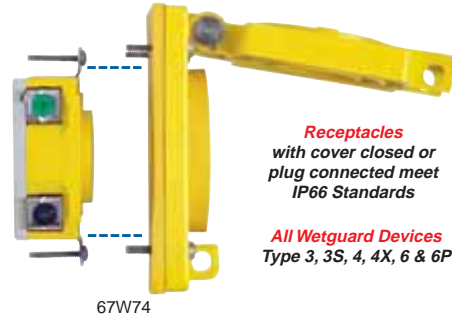
MECHANICAL							
<b>TERMINAL I.D.</b>	<b>PRODUCT I.D.</b>	<b>DEVICE TYPE</b>			<b>CORD GRIP RANGE</b>		
Brass, hot	Ratings & NEMA I.D. permanently marked on device	15 & 20A Straight Blade & 15A Locking - 3-Wire			(9.5 - 16.6)mm #18-#10 AWG		
Grounding		20A Locking 3-,4- & 5-Wire			(9.5 - 22.2)mm #18-#10 AWG		
White,neutral		30A Locking 3-,4- & 5-Wire			(15.9 - 28.6)mm #12-#8 AWG		
STANDARDS & CERTIFICATIONS							
<b>FLAMMABILITY</b>		<b>OPERATING TEMP.</b>		<b>NEMA WD-6</b>	<b>ANSI C-73</b>	<b>UL 498</b>	<b>UL Fed Spec Listed WC-596</b>
Plugs & Connectors Rated V-2 per UL 94		Receptacles Rated V-0 per UL 94		-40°C to 60°C	✓	✓	✓
					Plugs & Connectors #E13393	Receptacles #E13399	CSA C22.2 No.42 #LR-406
							NOM #057

## 20 Amp, 3-Pole 3-Wire, 3-Pole 4-Wire



Wetguard Products  
Are Engineered to Meet  
or Exceed UL and IEC  
Watertight Standards

Plugs & Connectors  
mated or with closure caps  
meet IP66 & IP67 Standards



Receptacles  
with cover closed or  
plug connected meet  
IP66 Standards

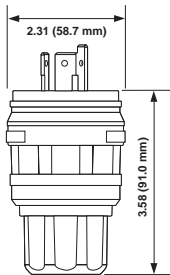
All Wetguard Devices  
Type 3, 3S, 4, 4X, 6 & 6P



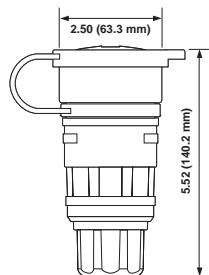
TYPE-EPTR	PLUG	NEMA PLUG	CONNECTOR w/ CLOSURE CAP	CORROSION RESISTANT RECEPTACLE, COVER, GASKET	CORROSION RESISTANT RECEPTACLE	NEMA RECEPTACLE
<b>20A 125/250V, 3-P 4-W, Grounding</b>						
Yellow EPTR	<b>26W74</b>	L14-20P	<b>27W74</b>	<b>67W74</b>	<b>24CM-10</b>	L14-20R
<b>20A 3ø 250V, 3-P 4-W, Grounding</b>						
Yellow EPTR	<b>26W75</b>	L15-20P	<b>27W75</b>	<b>67W75</b>	<b>24CM-20</b>	L15-20R
<b>20A 3ø 480V, 3-P 4-W, Grounding</b>						
Yellow EPTR	<b>26W76</b>	L16-20P	<b>27W76</b>	<b>67W76</b>	<b>24CM-30</b>	L16-20R
<b>20A 125/250V, Non-NEMA, 3-P 3-W, Non-Grounding, Non UL Listed - for Replacement Use Only</b>						
Yellow EPTR	<b>26W08</b>	Non-NEMA	<b>27W08</b>	<b>67W08*</b>	<b>7310-B†</b>	Non-NEMA

\* Non-corrosion resistant receptacle

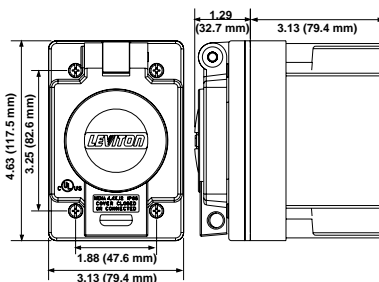
† 20A/250V, 10A/600V 2-P 3-W Grounding Version Available (Cat. No. 7310-BG)



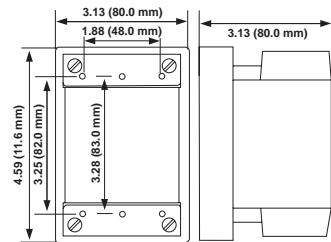
20A  
LOCKING PLUGS



20A  
LOCKING CONNECTORS



FD BOX & COVER



FD BOX

Volume = 21.6 cu. in.

ELECTRICAL	
<b>DIELECTRIC VOLTAGE</b>	<b>CURRENT INTERR.</b>
Withstands 2000V per UL 498	Full rated current
<b>TEMP. RISE</b>	
Max 30°C after 250 cycles of overload at 200% of rated current	

MECHANICAL							
<b>TERMINAL I.D.</b>	<b>PRODUCT I.D.</b>	<b>DEVICE TYPE</b>			<b>CORD GRIP RANGE</b>		
Brass, hot	Ratings & NEMA I.D. permanently marked on device	15 & 20A Straight Blade & 15A Locking - 3-Wire			(9.5 - 16.6)mm #18-#10 AWG		
Grounding		20A Locking 3-,4- & 5-Wire			(9.5 - 22.2)mm #18-#10 AWG		
White, neutral		30A Locking 3-,4- & 5-Wire			(15.9 - 28.6)mm #12-#8 AWG		
ENVIRONMENTAL				STANDARDS & CERTIFICATIONS			
<b>FLAMMABILITY</b>	<b>OPERATING TEMP.</b>	<b>NEMA WD-6</b>	<b>ANSI C-73</b>	<b>UL 498</b>	<b>UL Fed Spec Listed WC-596</b>	<b>CSA C22.2 No.42</b>	<b>NOM</b>
Plugs & Connectors Rated V-2 per UL 94	Receptacles Rated V-0 per UL 94	-40°C to 60°C	✓	✓	✓	Plugs & Connectors #E13393 Receptacles #E13399	#LR-406 #057

## 20 Amp, 4-Pole 4-Wire, 4-Pole 5-Wire



Wetguard Products  
Are Engineered to Meet  
or Exceed UL and IEC  
Watertight Standards

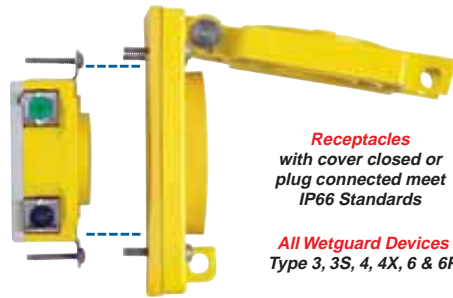
Plugs & Connectors  
mated or with closure caps  
meet IP66 & IP67 Standards



26W83



27W83



67W82

Receptacles  
with cover closed or  
plug connected meet  
IP66 Standards

All Wetguard Devices  
Type 3, 3S, 4, 4X, 6 & 6P

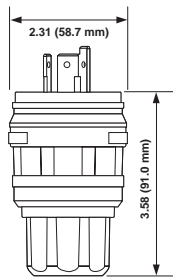


25CM-20

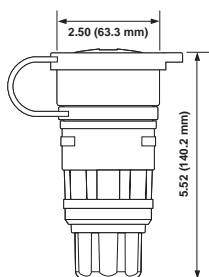
TYPE-EPTR	PLUG	NEMA PLUG	CONNECTOR w/ CLOSURE CAP	RECEPTACLE, CORROSION RESISTANT COVER & GASKET	RECEPTACLE	NEMA RECEPTACLE
<b>20A 3øY 120/208V, Non-NEMA, 4-P 4-W, Non-Grounding, Non UL Listed - for Replacement Use Only</b>						
Yellow EPTR	26W09	Non-NEMA	27W09	67W09*	7410-B*†	Non-NEMA
<b>20A 3øY 120/208V, 4-P 5-W, Grounding</b>						
Yellow EPTR Black EPTR	26W81 26W81-B	L21-20P	27W81 27W81-B	67W81* See Page 11 for Black Catalog No.	2510* -	L21-20R
<b>20A 3øY 277/480V, 4-P 5-W, Grounding</b>						
Yellow EPTR	26W82	L22-20P	27W82	67W82*	2520*	L22-20R
<b>20A 3øY 347/600V, 4-P 5-W, Grounding</b>						
Yellow EPTR	26W83	L23-20P	27W83	67W83*	2530*	L23-20R

\* Non-corrosion resistant receptacle

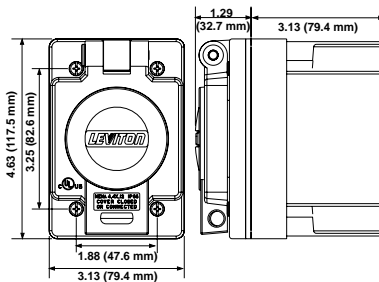
† 20A/250V, 10A/600V 3-P 4-W Grounding Version Available (Cat. No. 7410-BG)



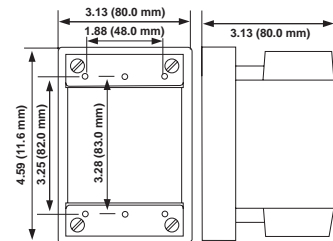
20A  
LOCKING PLUGS



20A  
LOCKING CONNECTORS



FD BOX & COVER



Volume=21.6 cu. in.

FD BOX

ELECTRICAL	
<b>DIELECTRIC VOLTAGE</b>	<b>CURRENT INTERR.</b>
Withstands 2000V per UL 498	Full rated current
<b>TEMP. RISE</b>	
Max 30°C after 250 cycles of overload at 200% of rated current	

MECHANICAL									
<b>TERMINAL I.D.</b>	<b>PRODUCT I.D.</b>	<b>DEVICE TYPE</b>			<b>CORD GRIP RANGE</b>				
Brass, hot	Ratings & NEMA I.D. permanently marked on device	15 & 20A Straight Blade & 15A Locking - 3-Wire 20A Locking 3-,4- & 5-Wire 30A Locking 3-,4- & 5-Wire			(9.5 - 16.6)mm #18-#10 AWG (9.5 - 22.2)mm #18-#10 AWG (15.9 - 28.6)mm #12-#8 AWG				
Grounding									
White, neutral									
ENVIRONMENTAL				STANDARDS & CERTIFICATIONS					
<b>FLAMMABILITY</b>		<b>OPERATING TEMP.</b>		<b>NEMA WD-6</b>	<b>ANSI C-73</b>	<b>UL 498</b>	<b>UL Fed Spec Listed WC-596</b>	<b>CSA C22.2 No.42</b>	<b>NOM</b>
Plugs & Connectors Rated V-2 per UL 94	Receptacles Rated V-0 per UL 94	-40°C to 60°C		✓	✓	✓	Plugs & Connectors #E13393 Receptacles #E13399	#LR-406	#057

## 30 Amp, 2-Pole 3-Wire, 3-Pole 4-Wire



Wetguard Products  
Are Engineered to Meet  
or Exceed UL and IEC  
Watertight Standards

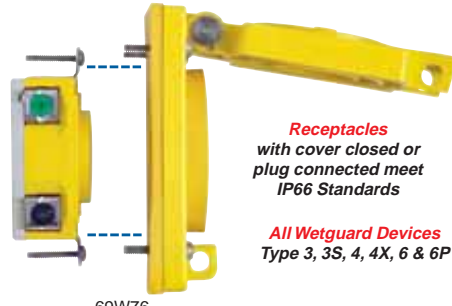
Plugs & Connectors  
mated or with closure caps  
meet IP66 & IP67 Standards



28W47-B



29W47-B



69W76



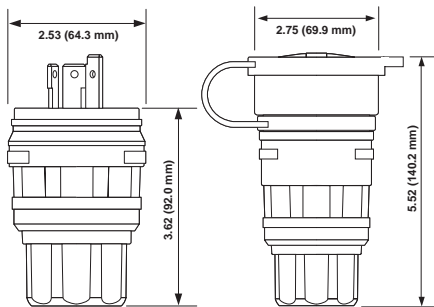
27CM-30

Receptacles  
with cover closed or  
plug connected meet  
IP66 Standards

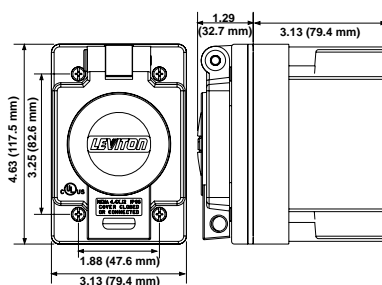
All Wetguard Devices  
Type 3, 3S, 4, 4X, 6 & 6P

TYPE-EPTR	PLUG	NEMA PLUG	CONNECTOR w/ CLOSURE CAP	CORROSION RESISTANT RECEPTACLE, COVER, GASKET	CORROSION RESISTANT RECEPTACLE	NEMA RECEPTACLE
<b>30A 125V, 2-P 3-W, Grounding</b>						
Yellow EPTR	<b>28W47</b>	L5-30P	<b>29W47</b>	<b>69W47</b>	<b>26CM-10</b>	L5-30R
Black EPTR	<b>28W47-B</b>		<b>29W47-B</b>	See Page 11 for Black Catalog No.	-	
<b>30A 250V, 2-P 3-W, Grounding</b>						
Yellow EPTR	<b>28W48</b>	L6-30P	<b>29W48</b>	<b>69W48</b>	<b>26CM-20</b>	L6-30R
Yellow EPTR	<b>28W49</b>		L7-30P	<b>29W49</b>	<b>69W49*</b>	
<b>30A 125/250V, 3-P 4-W, Grounding</b>						
Yellow EPTR	<b>28W74</b>	L14-30P	<b>29W74</b>	<b>69W74</b>	<b>27CM-10</b>	L14-30R
Yellow EPTR	<b>28W75</b>		L15-30P	<b>29W75</b>	<b>69W75</b>	
<b>30A 3ø 250V, 3-P 4-W, Grounding</b>						
Yellow EPTR	<b>28W76</b>	L16-30P	<b>29W76</b>	<b>69W76*</b>	<b>2730*</b>	L16-30R
Yellow EPTR	<b>28W76</b>		L16-30P	<b>29W76</b>	<b>69W76*</b>	

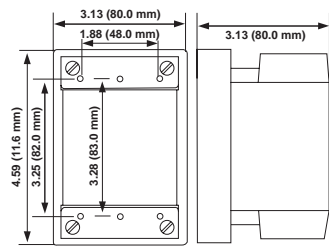
\* Non-corrosion resistant receptacle



30A LOCKING PLUGS      30A LOCKING CONNECTORS



FD BOX & COVER



Volume=21.6 cu. in.

FD BOX

ELECTRICAL	
<b>DIELECTRIC VOLTAGE</b>	<b>CURRENT INTERR.</b>
Withstands 2000V per UL 498	Full rated current
<b>TEMP. RISE</b>	
Max 30°C after 250 cycles of overload at 200% of rated current	

MECHANICAL							
<b>TERMINAL I.D.</b>	<b>PRODUCT I.D.</b>	<b>DEVICE TYPE</b>			<b>CORD GRIP RANGE</b>		
Brass, hot	Ratings & NEMA I.D. permanently marked on device	15 & 20A Straight Blade & 15A Locking - 3-Wire			(9.5 - 16.6)mm #18-#10 AWG		
Grounding		20A Locking 3-, 4- & 5-Wire			(9.5 - 22.2)mm #18-#10 AWG		
White, neutral		30A Locking 3-, 4- & 5-Wire			(15.9 - 28.6)mm #12-#8 AWG		
ENVIRONMENTAL				STANDARDS & CERTIFICATIONS			
<b>FLAMMABILITY</b>	<b>OPERATING TEMP.</b>	<b>NEMA WD-6</b>	<b>ANSI C-73</b>	<b>UL 498</b>	<b>UL Fed Spec Listed WC-596</b>	<b>CSA C22.2 No.42</b>	<b>NOM</b>
Plugs & Connectors Rated V-2 per UL 94	Receptacles Rated V-0 per UL 94	-40°C to 60°C	✓	✓	✓	Plugs & Connectors #E13393 Receptacles #E13399	#LR-406 #057



## 30 Amp, 3-P 3-W, 3-P 4-W, 4-P 4-W, 4-P 5-W



Wetguard Products Are Engineered to Meet or Exceed UL and IEC Watertight Standards

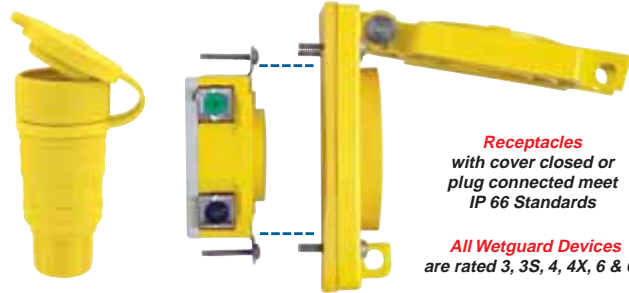
Plugs & Connectors mated or with closure caps meet IP66 & IP67 Standards



28W83



29W83



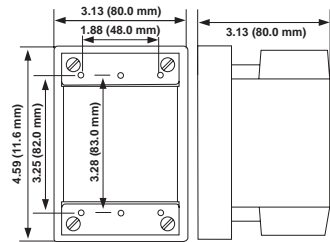
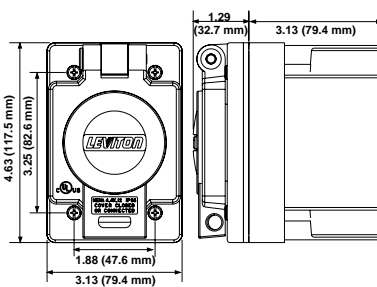
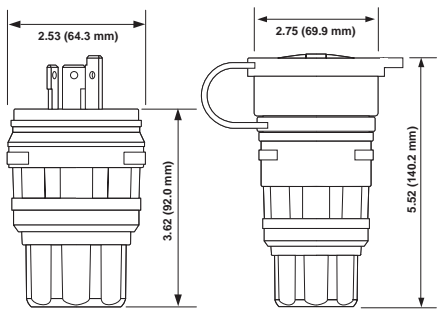
69W83

Receptacles with cover closed or plug connected meet IP 66 Standards

All Wetguard Devices are rated 3, 3S, 4, 4X, 6 & 6P

TYPE-EPTR	PLUG	NEMA PLUG	CONNECTOR w/ CLOSURE CAP	RECEPTACLE, CORROSION RESISTANT COVER & GASKET	RECEPTACLE	NEMA RECEPTACLE
<b>30A 3ø 600V, 3-P 4-W, Grounding</b>						
Yellow EPTR	<b>28W77</b>	L17-30P	<b>29W77</b>	<b>69W77*</b>	<b>2740*</b>	L17-30R
<b>30A 125/250V, Non-NEMA, 3-P 3-W, Non-Grounding, Non UL Listed - for Replacement Use Only</b>						
Yellow EPTR	<b>28W08</b>	Non-NEMA	<b>29W08</b>	<b>69W08*</b>	<b>3330*†</b>	Non-NEMA
<b>30A 3øY 120/208V, Non-NEMA, 4-P 4-W, Non-Grounding, Non UL Listed - for Replacement Use Only</b>						
Yellow EPTR	<b>28W09</b>	Non-NEMA	<b>29W09</b>	<b>69W09*</b>	<b>3430*††</b>	Non-NEMA
<b>30A 3øY 120/208V, 4-P 5-W, Grounding</b>						
Yellow EPTR	<b>28W81</b>	L21-30P	<b>29W81</b>	<b>69W81*</b>	<b>2810*</b>	L21-30R
<b>30A 3øY 277/480V, 4-P 5-W, Grounding</b>						
Yellow EPTR	<b>28W82</b>	L22-30P	<b>29W82</b>	<b>69W82*</b>	<b>2820*</b>	L22-30R
<b>30A 3øY 347/600V, 4-P 5-W, Grounding</b>						
Yellow EPTR	<b>28W83</b>	L23-30P	<b>29W83</b>	<b>69W83*</b>	<b>2830*</b>	L23-30R

\* Non-corrosion resistant receptacle † 30A/250V 2-P 3-W Grounding Version Available (Cat. No. 3330-G) †† 30A/250V , 3,A/600 3-P 4-W Grounding Version Available (Cat. No. 3430-G)



Volume = 21.6 cu. in.

30A LOCKING PLUGS 30A LOCKING CONNECTORS

FD BOX & COVER

FD BOX

ELECTRICAL	
<b>DIELECTRIC VOLTAGE</b>	<b>CURRENT INTERR.</b>
Withstands 2000V per UL 498	Full rated current
<b>TEMP. RISE</b>	
Max 30°C after 250 cycles of overload at 200% of rated current	

MECHANICAL							
<b>TERMINAL I.D.</b>	<b>PRODUCT I.D.</b>	<b>DEVICE TYPE</b>			<b>CORD GRIP RANGE</b>		
Brass, hot	Ratings & NEMA I.D. permanently marked on device	15 & 20A Straight Blade & 15A Locking - 3-Wire			(9.5 - 16.6)mm #18-#10 AWG		
Grounding		20A Locking 3-,4- & 5-Wire			(9.5 - 22.2)mm #18-#10 AWG		
White, neutral		30A Locking 3-,4- & 5-Wire			(15.9 - 28.6)mm #12-#8 AWG		
<b>ENVIRONMENTAL</b>							
<b>FLAMMABILITY</b>		<b>OPERATING TEMP.</b>		<b>NEMA WD-6</b>	<b>ANSI C-73</b>	<b>UL 498</b>	<b>UL Fed Spec Listed WC-596</b>
Plugs & Connectors Rated V-2 per UL 94		Receptacles Rated V-0 per UL 94		-40°C to 60°C	✓	✓	✓
<b>STANDARDS &amp; CERTIFICATIONS</b>							
				<b>CSA C22.2 No.42</b>	<b>NOM</b>		
				Plugs & Connectors #E13393	Receptacles #E13399	#LR-406	#057

## 15 Amp and 20 Amp, 2-Pole 3-Wire



Dustguard Products  
Are Engineered to Meet  
or Exceed UL and IEC  
Dust-tight Standards



1447



1449



1433



2447

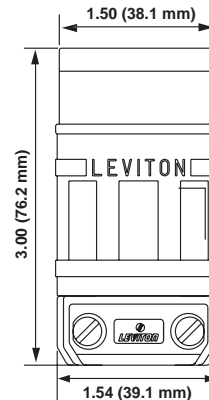
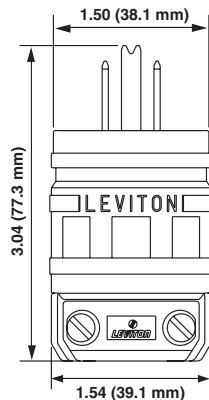


1549



1533

TYPE	PLUG	NEMA PLUG	CONNECTOR	NEMA CONNECTOR
<b>15A 125V, 2-P 3-W Straight Blade, Grounding</b>				
Yellow EPTR	1447	 5-15P	1547	 5-15R
<b>15A 250V, 2-P 3-W Straight Blade, Grounding</b>				
Yellow EPTR	1449	 6-15P	1549	 6-15R
<b>20A 125V, 2-P 3-W Straight Blade, Grounding</b>				
Yellow EPTR	1433	 5-20P	1533	 5-20R
<b>20A 250V, 2-P 3-W Straight Blade, Grounding</b>				
Yellow EPTR	1448	 6-20P	1548	 6-20R
<b>15A 125V, 2-P 3-W Locking, Grounding</b>				
Yellow EPTR	2447	 L5-15P	2547	 L5-15R



ELECTRICAL		
DIELECTRIC VOLTAGE	CURRENT INTERR.	TEMP. RISE
Withstands 2000V per UL 498	Full rated current	Max 30°C after 250 cycles of overload at 200% of rated current

MECHANICAL			
TERMINAL I.D.	TERMINAL ACCOMM.	PRODUCT I.D.	CORD GRIP RANGE
Brass, hot Grounding White, neutral	#12 - #18 AWG	Ratings & NEMA I.D. permanently marked on device	.240" - .655"
ENVIRONMENTAL			
FLAMMABILITY		OPERATING TEMP.	
Rated V-2 per UL 94		-40°C to 60°C	

STANDARDS & CERTIFICATIONS					
NEMA WD-6	ANSI C-73	UL 498	UL Fed Spec Listed WC-596	CSA C22.2 No. 42	NOM
			#E13393	#LR-406	#057

## Testing Standards

### About PSI Ratings

PSI is an abbreviation for pounds per square inch. With respect to water washdowns in processing plants and industrial marinas, a PSI value should specify the distance from the nozzle at which the value was taken. Consider the following situation: 1,000 psi measured 2 inches from the plug/ connector or 2 ft. from the plug/connector will deliver dramatically different forces.

Wetguard devices are tested and exceed IEC and UL watertight standards. These independent tests have defined parameters as noted below:

### IEC IP Water Penetration Test:

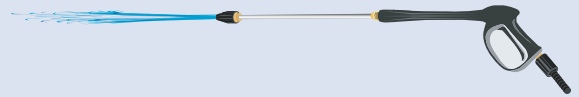
Water is sprayed from a distance of 3 meters and at a rate of 100 liter/minute on a joined plug and connector using a 12.5mm diameter nozzle. The water spray is directed at the connector/plug joint and cable entries.

**Result:** Wetguard Plugs and Connectors are rated to IP67 when connected.

### UL NEMA Water Penetration Test:

Water is sprayed from a distance of 12 ft. and at a rate of 65 gallons/ minute on a joined plug and connector using a 1 inch diameter nozzle. The water spray is directed at the connector/ plug joint and cable entries.

**Result:** Wetguard Plugs and Connectors are rated to NEMA 4X, 6, and 6P when connected.



### Wetguard Accessories

#### Connector Caps



Yellow	Black
15/20A Str.Blade & 15A Locking	
50W50	50W50-B
20A Locking	
50W52	50W52-B
30A Locking	
50W54	50W54-B

#### Cover with Gasket



Yellow	Black
15/20A Str.Blade & 15A Locking	
60W03	60W03-B
20A Locking	
60W04	60W04-B
30A Locking	
60W05	60W05-B

#### FD Box Glass-Filled Polyester



Yellow
2 KO Openings 1/2"
452CR
2 KO Openings 3/4"
453CR
2 KO Openings 1"
454CR

#### Plug Caps



Yellow	Black
15/20A Str.Blade & 15A Locking	
14W	14W-B
20A Locking	
26W	26W-B
30A Locking	
28W	28W-B



#### FD Box Blank Plate with Gasket

Yellow
Stainless Steel Mounting Screws
WP459

To learn more about B-I-A please visit us at our  
WEB site: [www.BiaGmbH.com](http://www.BiaGmbH.com)



## Technical Informations

### Enclosure Type Designations

Enclosures serve the dual purpose of protecting personnel from incidental contact with the enclosed electrical equipment and protecting the enclosed equipment against specified environmental conditions. Enclosures are rated for use in specific environmental conditions by NEMA, UL, CSA and the IEC. The major rating systems used are the NEMA Type Numbers and the IEC Enclosure Classification Designation.

#### The IEC Enclosure Classification Designation — IP Suitability Ratings

The IP Suitability Ratings are a system for classifying the degree of protection provided by enclosures of electrical equipment. The higher the number in the rating, the greater the degree of protection provided by the enclosure. Note that the rating will ONLY apply to properly installed equipment. The chart below defines the numerals in the IP Code.

1. The First Numeral indicates the degree of protection for persons against access to hazardous parts inside the enclosure and/or against the ingress of solid foreign objects
2. The Second Numeral indicates the degree of protection of equipment inside enclosures against damage from the ingress of water.

#### ELEMENTS OF THE IP CODE

Meaning for the Protection of Equipment		
Code Letters	First Number	Second Number
Ingress Protection Against	Ingress of Solid Foreign Objects	Against Ingress of Water with Harmful Effects
IP	0 – Non-protected 1 – ≥ 50 mm diameter 2 – ≥ 12.5 mm diameter 3 – ≥ 2.5 mm diameter 4 – ≥ 1.0 mm 5 – Dust-protected 6 – Dust-tight – –	0 – Non-protected 1 – Vertically dripping 2 – Dripping (15 °tilted) 3 – Spraying 4 – Splashing 5 – Jetting 6 – Power jetting 7 – Temporary immersion 8 – Continuous immersion

The IP Suitability Rating defined by IEC 529 does not specify any degree of protection against mechanical damage of equipment, risk of explosions, or conditions such as moisture (i.e. condensation), corrosive vapors, fungus, or vermin.

**Note:** > denotes greater than or equal to.

**Example:** IP 54 Suitability Rating = Ingress Protection/Dust-protected/Splashing

### NEMA and IEC Enclosure Classifications

#### Comparing NEMA Enclosure Classification

##### NEMA

NEMA Standards Publication 250 defines the NEMA Enclosure Type Numbers. Unlike the IEC Enclosure Classification Designations, NEMA Standards Publication 250 does tests for environmental condition such as corrosion, rust, icing, oil and coolants. For this reason and because the tests and evaluations for other characteristics are not identical, the IEC Enclosure Classification Designations cannot be exactly equated with NEMA Enclosure Type Numbers.

The table below provides an equivalent conversion from NEMA Enclosure Type Numbers to IEC Enclosure Classification Designations. Note that the NEMA Types meet or exceed the test requirements for the associated IEC Classifications. Therefore, this table cannot be used to convert from IEC Classifications to NEMA Types.

#### Converting NEMA Type Numbers to IEC Classification Designations

**(Note:** This table cannot be used to convert IEC classification designations to NEMA type numbers)

NEMA Enclosure	Equivalent IEC Enclosure
1	IP10
2	IP11
3	IP54
3R	IP14
3S	IP54
4 and 4X	IP56
5	IP52
6 and 6P	IP67
12 and 12K	IP52
13	IP54

#### UL & IEC TEST LISTING

Wetguard devices are tested per environmental condition as specified in UL Standard 50 and IEC 529 IP ratings, while connected or protected by closure covers (connector only).

##### UL Standard 50

Wetguard devices are tested per NEMA 4, 4X, 6 and 6P (and comply with Designation Type 3 and 3S)

**#4** Indoor or Outdoor use primarily to provide a degree of protection against windblown dust and rain, splashing water, and hose directed water (1" Nozzle, 65 gallons per minute at a distance of 10-12 ft., for 5 minutes.).

**#4x** Same as #4, in addition to provide a degree of protection against corrosion: 200 hour salt fog spray

**#6** Indoor or Outdoor use primarily to provide a degree of protection against hose directed water, the entry of water during occasional temporary submersion at limited depth (submersion duration to be 30 minutes at a depth of 6 ft.).

**#6P** Same as #6 except: submersion duration to be 24 hours.

#### UL 50 NEMA

##### Enclosure Types (Partial List)

Type	Description
<b>Type 4</b>	Indoor or outdoor use primarily to provide a degree of protection against windblown dust and rain, splashing water, hose-directed water, and damage from external ice formation.
<b>Type 4X</b>	Indoor or outdoor use primarily to provide a degree of protection against corrosion, windblown dust and rain, splashing water, hose-directed water and damage from external ice formation.
<b>Type 6</b>	Indoor or outdoor use primarily to provide a degree of protection against hose-directed water, the entry of water during occasional temporary submersion at a limited depth, and damage from external ice formation.
<b>Type 6P</b>	Indoor or outdoor use primarily to provide a degree of protection against hose-directed water, the entry of water during prolonged submersion at a limited depth, and damage from external ice formation.