

# Residential Grade – Electrical Accessories




63-I




91-I

## Table Taps and Surface Outlets

15 AMP 125V 2-Pole 2-Wire Non-Grounding


DESCRIPTION	CAT. NO.	COLOR*	NEMA CONFIG.
Surface-Mount Triple Outlet, wired to No. 18-2 AWG parallel lamp cord, 3 flat or 2 round plugs accepted★	303	I	1-15R 

15 AMP 125V 2-Pole 3-Wire Grounding

DESCRIPTION	CAT. NO.	COLOR*	NEMA CONFIG.
Double Surface-Mount, accepts up to No. 12 non-metallic sheathed cable, 2 round or flat plugs accepted	91	I	5-15R 

## Plug-In Outlet Adapters

15 AMP 125V 2-Pole 2-Wire Non-Grounding

DESCRIPTION	CAT. NO.	COLOR*	NEMA CONFIG.
Single-to-Triple, Small, 2 round or 3 flat plugs accepted★	62-P	I	
Single-to-Triple 3 round or flat plugs accepted	63	I, W	
Single-to-Triple Right Angle, 3 round or flat plugs accepted★	65	I, W	
Single-to-Triple, Swivel, 3 flat plugs accepted	69	I, W only (No Brown)	1-15R 
Cube Tap, Vinyl, 3 round or flat plugs accepted	531	I, W	
2-Wire Parallel Duplex-to-Six, 6 flat or round plugs accepted★	49687	I, W only (No Brown)	

All devices are UL Listed except where indicated by†. Also CSA Certified except where indicated by★

### SPECIFICATIONS & FEATURES

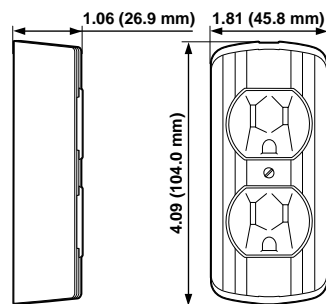
- Surface-mounting devices furnished with wood screws
- Terminal screws under removable cover permit easy wiring to parallel lamp cord
- Brown phenolic or Ivory urea plastic

### TESTING & CODE COMPLIANCE

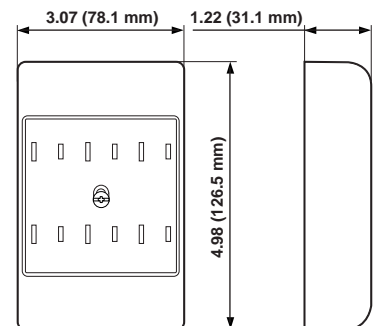
- UL Listed (File #E-13399 – Cat. No. 91; File #E-13394 – Cat. Nos. 63, 65, 69, 531 and 49687)
- CSA Certified (File #LR-406 – Cat. No. 91; File #LR-1523 – Cat. No. 63; File #LR-61476 – Cat. Nos. 65, 69 and 531)
- NOM Certified (#057)
- Backed by a Limited Two-Year Warranty

### \*COLOR

Basic Cat. No. denotes Brown device. For other color selections, add suffix to catalog number as follows: Ivory (-I) and White (-W).



DOUBLE SURFACE MOUNT OUTLET  
Cat. No. 91



DUPLEX-TO-SIX OUTLET ADAPTER  
Cat. No. 49687

## Residential Grade – Electrical Accessories



694



698-W

### Plug-In Outlet Adapters

15 AMP 125V 2-Pole 3-Wire Grounding

DESCRIPTION	CAT. NO.	COLOR* <small>Basic Cat. No. Denotes Brown</small>	NEMA CONFIG.
3-Wire, U-Ground Duplex-to-Six, 6 small or 4 large plugs accepted	49686	I, W only	
3-Wire, U-Ground Single-to-Triple, 3 straight or angle plugs accepted★	697	I, W, A	
3-Wire, U-Ground Single-to-Triple, Vinyl, 3 straight or angle plugs accepted	699	Orange only	5-15R
3-Wire, U-Ground Single-to-Triple, 3 straight plugs accepted	694	Orange, Green	

15 AMP 125V 2-Pole 2-Wire to 2-Pole 3-Wire Grounding

DESCRIPTION	CAT. NO.	COLOR	NEMA CONFIG.
Adapter, 2-Wire to U-Ground, 1 straight or 1 angle plug accepted★	274	Gray only	
2-Wire to U-Ground, 3 straight plugs accepted★	698	I, W only	5-15R

NOTE: All #274 and #698 adapters ground to the outlet wallplate screws.

### Medium Base Lampholder Outlet Adapters

15 AMP 660 WATT 125V 2-pole 2-wire

DESCRIPTION	CAT. NO.	COLOR* <small>Basic Cat. No. Denotes Brown</small>	NEMA CONFIG.
Outlet-to-Lampholder★	61	I	
Lampholder-to-Outlet	125	White only	
Keyless Lampholder and 2 Outlets	1403	I, W	1-15R
Single Lampholder-to-Twin Lampholder (660W-250V)	128	I	

660 WATT 125V AC 2-Pole 2-Wire Max. Total

DESCRIPTION	CAT. NO.	COLOR* <small>Basic Cat. No. Denotes Brown</small>	NEMA CONFIG.
Pull Chain Lampholder and 2 Outlets. Pull chain controls lamp socket ONLY. Outlet continuously live.	1406	I, W	1-15R

### Plug-In Receptacle Tester—110-125V AC 2-Pole 3-Wire Grounding

DESCRIPTION	CAT. NO.	COLOR* <small>Basic Cat. No. Denotes Brown</small>	NEMA CONFIG.
Detects faulty wiring in 3-wire receptacles, Individually Carded★	12507		5-15P

### 3-Wire Circuit Analyzer—1/3 WATT 125V 2-Pole 3-Wire Grounding

DESCRIPTION	CAT. NO.	NEMA CONFIG.
3-Wire Circuit Analyzer (Bulb not covered by warranty)	7002	5-15P

### Circuit Tester—90-300V 1/3 WATT

DESCRIPTION	CAT. NO.
Neon Circuit Tester, Individually Carded	49666

### Circuit Alert Voltage Detector—70-440V AC

DESCRIPTION	CAT. NO.	COLOR
Detects AC voltage without direct electrical contact, Individually Carded★	12501	Black

### Digital Multimeter

DESCRIPTION	CAT. NO.	COLOR
18-Range, 7-Function, Individually Carded★	12504	Black

All devices are UL Listed. Also CSA Certified except where indicated by★

### SPECIFICATIONS & FEATURES

#### Circuit Tester

- Checks wiring continuity, outlets, switches, AC or DC current, fuses
- Neon light clearly visible through plastic case
- Bulb not covered by warranty

#### 3-Wire Circuit Analyzer

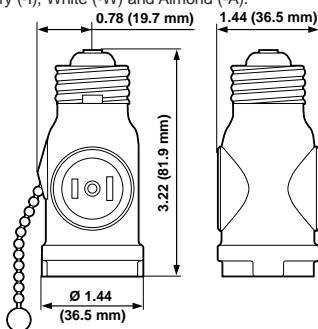
- Indicates five wiring faults common in 3-wire receptacles, plus correct wiring
- Easy-to-read red and green indicator lights
- Simple instructions included

### TESTING & CODE COMPLIANCE

- UL Listed (File #E-13394 – Cat. Nos. 49686, 694, 697, 698, 274, 128, 1403 and 1406; File #E-13393 – Cat. No. 125; File #E-90289 – Cat. No. 49666; File #E-57174 – Cat. No. 7002)
- CSA Certified (File #LR-406 – Cat. No. 125; File #LR-1523 – Cat. Nos. 49686 and 1403; File #LR-2780 – Cat. No. 128; File #LR-91345 – Cat. No. 49666)
- NOM Certified (#057)
- Backed by a Limited Two-Year Warranty

#### \*COLOR

Basic Cat. No. denotes Brown device. For other color selections, add suffix to catalog number as follows: Ivory (-I), White (-W) and Almond (-A).



LAMPHOLDER/2 OUTLETS  
Cat. No. 1406

## Residential Grade – Electrical Accessories



### Night Lights

*ON/OFF Night Light 4 WATT 125V*

DESCRIPTION	CAT. NO.	COLOR*
Night Light, Open Carded	48566	I, W

*Automatic Night Light 4 WATT 125V*

DESCRIPTION	CAT. NO.	COLOR* (Night Light Base)
Automatic Night Light	48568	I, W, E



### Guide Lights

DESCRIPTION	CAT. NO.	COLOR
Button-Style Neon Guide Light 1/4 Watt 120V AC	49567	White
LED Guide Light with clear shade 1/2 Watt 120V AC	49568	-W (Amber LED), -BLU (Blue LED)

### Child Protection Devices

*Outlet Cover Night Light 1/4 WATT 125V*

DESCRIPTION	CAT. NO.	COLOR
Outlet Cover Night Light	48500	White

*Outlet Caps*

DESCRIPTION	CAT. NO.	COLOR
Outlet Caps	12777	Clear

*Child-Resistant Wallplates*

DESCRIPTION	CAT. NO.	COLOR
Single Gang Child-Resistant Wallplates	86002	Wheat
Single Gang Child-Resistant Wallplates	88002	White

*Tamper Resistant Receptacle 15 AMP 125V 2-Pole 3-Wire Grounding*

DESCRIPTION	CAT. NO.	COLOR	NEMA CONFIG.
Tamper Resistant Receptacle	5321	I, W	5-15R



All devices are UL Listed and CSA Certified

### SPECIFICATIONS & FEATURES

#### Guide Lights

- Energy-efficient with soft, comforting light
- Compact Neon model keeps second outlet free
- No bulb to replace in LED model

#### Automatic Night Light

- Turns ON automatically at dusk; OFF automatically at dawn
- Rotating shade removes easily for bulb replacement
- Long-life 4 watt bulb included

#### Outlet Cover Night Light

- Provides a soft glow when plugged in
- Covers both openings of a duplex outlet

#### Outlet Caps

- Insert into unused outlets to serve as a barrier
- Can be easily removed by adults when needed for lights and appliances

#### Child-Resistant Wallplates

- Sliding shutters block outlet openings
- Shutters slide to one side when inserting plug
- Easily replace existing wallplates

#### Tamper Resistant Receptacle

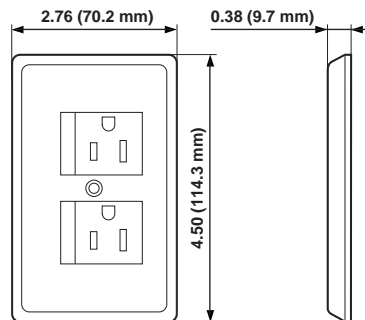
- Exclusive design helps prevent insertion of anything but a properly rated plug
- Floating shutters behind outlet faces block clear access to energized contacts

### TESTING & CODE COMPLIANCE

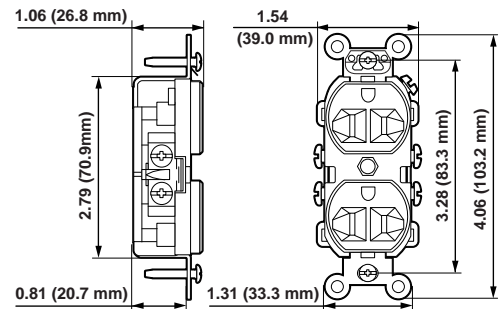
- UL Listed (File #E-121173 – Cat. No. 48568; File #E-84313 – Cat. No. 48500; File #E-7416 – Cat. No. 12777; File #E-13399 – Cat. No. 5321; File #E-39445 – Cat. No. 48566)
- CSA Certified (File #LR-1863 – Cat. Nos. 48566 and 48568; File #LR-64317 – Cat. No. 48500; File #LR-406 – Cat. No. 5321)
- NOM Certified (#057)

#### \*COLOR

Add suffix to catalog number as follows for color selections: Ivory (-I), White (-W), Black (-E).



CHILD-RESISTANT WALLPLATE  
Cat. No. 86002



TAMPER-RESISTANT RECEPTACLE  
Cat. No. 5321