



5225-W



5226-W

15 AMP 120V AC Receptacle, Single-Pole Switch 1/25 WATT 120V AC Neon Pilot Light

DESCRIPTION	CAT. NO.	COLOR* <small>Basic Cat.No. Denotes Brown</small>
Single-Pole Switch, Receptacle and Neon Pilot Light*	5225-P	W

15 AMP 125V AC Receptacle 15 AMP 120V AC 1/2 HP @ 120V Switch

DESCRIPTION	CAT. NO.	COLOR* <small>Basic Cat.No. Denotes Brown</small>
Single-Pole Switch and Grounding Receptacle	5225	I, W
3-Way Switch and Grounding Receptacle	5245	I

15 AMP 120V AC 3-Way Switch 1/25 WATT 120V AC Neon Pilot Light

DESCRIPTION	CAT. NO.	COLOR* <small>Basic Cat.No. Denotes Brown</small>
3-Way Switch and Neon Pilot Light*	5246	I, W

15 AMP 120/277V AC 1/2 HP @ 120V 2 HP @ 240V Switches

DESCRIPTION	CAT. NO.	COLOR* <small>Basic Cat.No. Denotes Brown</small>
2 Single-Pole Switches	5224	I, W
2 Single-Pole Switches, Grounding	5224-2	I, W
Single-Pole and 3-Way Switch	5241	I, W
Two 3-Way Switches	5243	I, W

15 AMP 120V AC 1/2 HP @ 120V Switch 1/25 WATT 120V Neon Pilot Light

DESCRIPTION	CAT. NO.	COLOR* <small>Basic Cat.No. Denotes Brown</small>
Single-Pole Switch and Neon Pilot Light*	5226	I, W

*Pilot lights are not covered by warranty.

All devices are UL Listed. Also CSA Certified except where indicated by*

SPECIFICATIONS & FEATURES

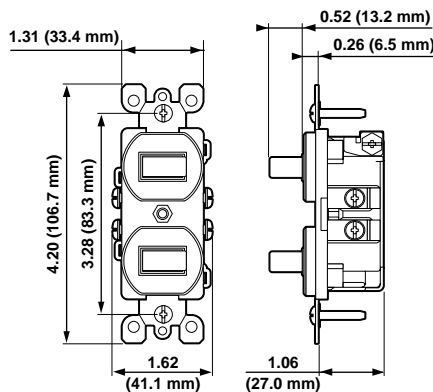
- Available with AC quiet switches
- AC quiet switches have silver-cadmium oxide contacts and receptacles have double-wipe contacts for maximum conductivity
- All devices are side wired with terminal screws that accept up to #10 copper or copper-clad wire
- All devices fit standard wallboxes and are suitable for ganging
- Break-off tabs on devices with AC quiet switches permit conversion to separate feeds (except switch/pilot light combinations)

TESTING & CODE COMPLIANCE

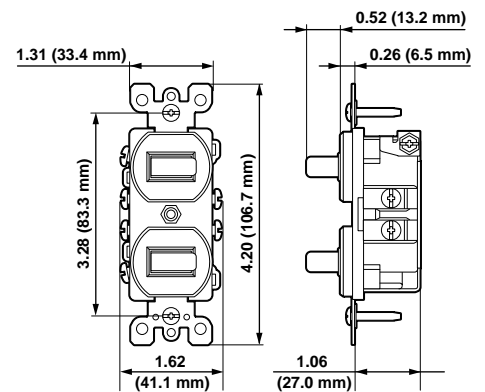
- UL Listed (File #E-7458)
- CSA Certified where applicable (File #LR-3413)
- Backed by a Limited 10-Year Warranty

*COLOR

Basic Cat. Nos. shown above denote Brown color. For other color selections, add the suffix to catalog number as follows: Ivory (-I), White (-W).



TWO SINGLE-POLE SWITCHES
Cat. No. 5224




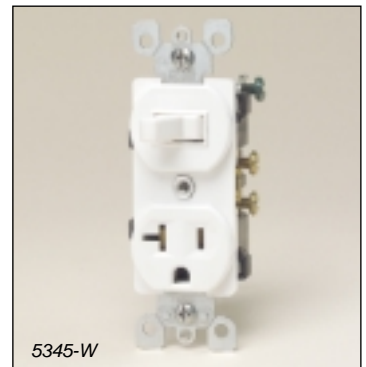
TWO 3-WAY SWITCHES
Cat. No. 5243

20 AMP 120/277V AC 1 HP @ 120V 2 HP @ 240V AC Switches

DESCRIPTION	CAT. NO.	COLOR*
2 Single-Pole Switches*	5334	I

20 AMP 125V AC Receptacle 20 AMP 120V AC Switch

DESCRIPTION	CAT. NO.	COLOR*	NEMA CONFIG.
Single-Pole Switch and Grounding Receptacle*	5335	I	5-20R 



20 AMP 120V AC 1/2 HP @ 120V Switch 1/25 WATT 120V AC Neon Pilot Light

DESCRIPTION	CAT. NO.	COLOR*
Single-Pole Switch and Neon Pilot Light*	5336	I

20 AMP 120/277V AC Two 3-Way Switches

DESCRIPTION	CAT. NO.	COLOR*
Two 3-Way Switches	5343	I, W

20 AMP 125V Receptacle 20 AMP 120V AC 3-Way Switch

DESCRIPTION	CAT. NO.	COLOR*
3-Way Switch and Grounding Receptacle*	5345	I, W



15 AMP 125V GFCI Receptacle 20 AMP 125V Feed Through 8.3 AMP 1000 WATT 120V AC Switch

DESCRIPTION	CAT. NO.	COLOR*
Combination Switch/GFCI Receptacle	5299	I, W, GY, A

Note: For more information regarding Cat. No. 5299, see Document #7504, GFCI Protection Devices
All devices are UL Listed. Also CSA Certified except where indicated by*

SPECIFICATIONS & FEATURES

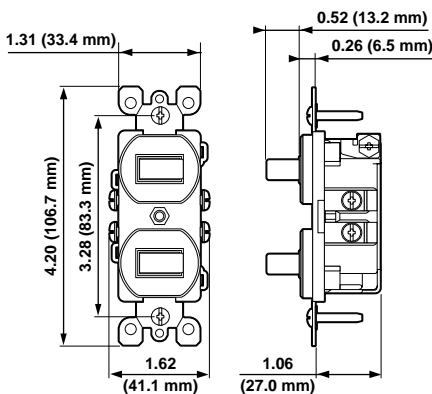
- Available with AC quiet switches or T-rated switches
- AC quiet switches have silver-cadmium oxide contacts and receptacles have double-wipe contacts for maximum conductivity
- All devices are side wired with terminal screws that accept up to #10 copper or copper-clad wire
- All devices fit standard wallboxes and are suitable for ganging (except 5299)
- Break-off tabs on devices with AC quiet switches permit conversion to separate feeds (except switch/pilot light combinations)

TESTING & CODE COMPLIANCE

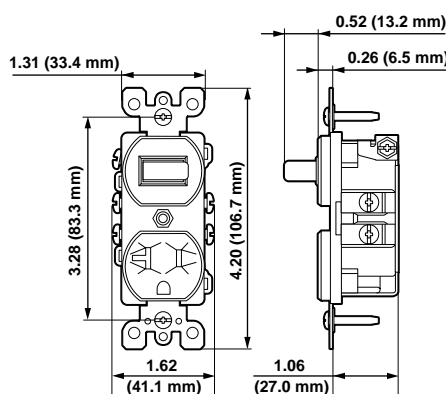
- UL Listed (File #E-7458); Cat. No. 5299 (File #E-48380)
- UL Standards Cat. No. 5299: 943 Class A (GFCI), 20 (switches) and 498 (receptacles)
- CSA Certified where applicable (File #LR-3413); Cat. No. 5299 (File #LR-35324)
- NOM Certified (#057)
- Backed by a Limited 10-Year Warranty

*COLOR

Basic Cat. Nos. shown above denote Brown color. For other color selections, add the suffix to catalog number as follows: Ivory (-I), White (-W), Almond (-A).



TWO SINGLE-POLE SWITCHES
Cat. No. 5334



3-WAY SWITCH AND GROUNDING RECEPTACLE
Cat. No. 5345