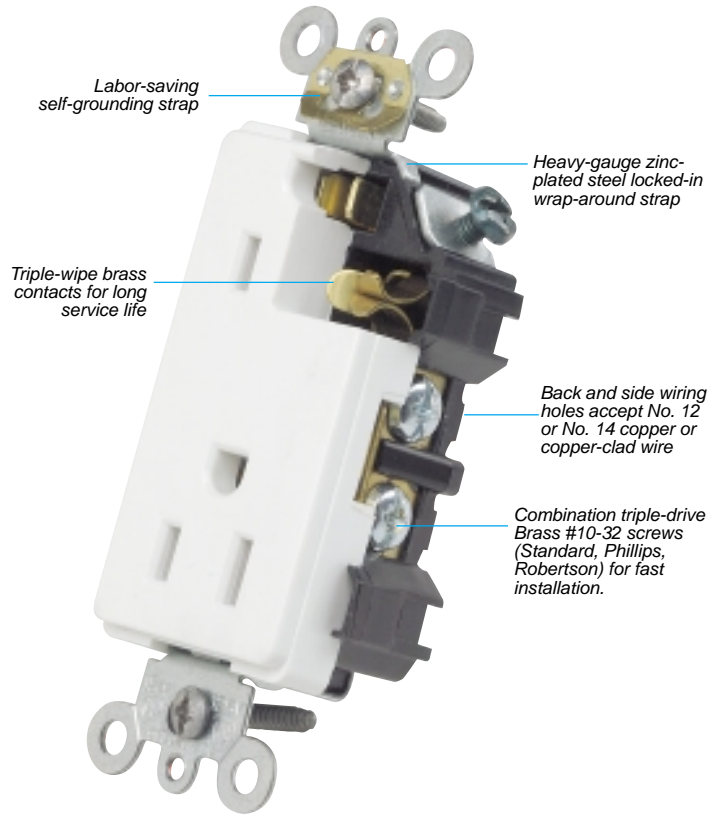


These Decora line of designer-style receptacles are available in Industrial Specification Grade (including Hospital Grade), Commercial Specification Grade and Residential Grade, with a number of wiring options and features. They come in a variety of contemporary shades and add contemporary style to fine interiors everywhere.

### Features and Benefits

- Engineered for fine appearance and top performance in demanding commercial and institutional applications using a durable, thermoplastic face and impact-resistant construction
- Shallow design for maximum wiring room in wallbox
- Back Wire and Side Wire terminal wiring options for ease of installation
- Heavy-gauge zinc-plated steel locked-in wrap-around strap
- Triple-wipe brass contacts for long service life
- Exclusive V-shaped, serrated back wiring clamps for superior contact and conductivity
- Available in an array of colors to coordinate with any interior
- Backed by a Limited 10-Year Warranty



Cat. No. 16252-W

### The Beauty, Durability and Versatility of Decora® Receptacles

#### Hospital Grade Tamper Resistant



These Hospital Grade receptacles incorporate a unique shutter mechanism that opens easily for insertion of 2 or 3-prong plugs, but prevents the insertion of small objects into either outlet slot.

Cat. No. 16262-SGI

#### Dual Voltage



Maintain the consistent look of Decora style receptacles throughout commercial settings even when the need arises for Dual Voltage 15A 125 and 15A 250V duplex receptacles.

Cat. No. 16292-I

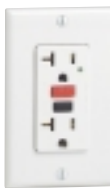
#### Surge Suppressor



Decora-style single and duplex surge-protective receptacles, including versions with audible alarm, LED indicator light and Isolated Ground.

Cat. No. 8280-IGB

#### GFCI



Decora Plus GFCI receptacles are designed to protect against shock hazard from loads they power where electrical contact might provide an electrical grounding path through the body.

Cat. No. 6898-W

#### Residential



Receptacles engineered for elegant appearance, speedy installation and a long trouble-free service life for fine residential applications.

Cat. No. 5325-I



Back and Side Wired NEMA 5-15R & 5-20R (Basic Cat. No. denotes Mahogany device, except Isolated Ground devices—Basic Cat. No. denotes Orange device)

| DESCRIPTION                                    | CAT. NO./COLOR*<br>15A/125V          | CAT. NO./COLOR*<br>20A/125V |
|--|--------------------------------------|-----------------------------|
|  | 5-15R                                | 5-20R                       |
| <b>Hospital Grade, Duplex</b>                  | 16262-HG<br>I, W, G, R (No Mahogany) | 16362-HG<br>I, W, G, R      |
| <b>Hospital Grade, Tamper Resistant Duplex</b> | 16262-SG<br>I, W, G, R               | —                           |
| <b>Hospital Grade, Isolated Ground Duplex</b>  | 16262-IG<br>B, I, W, G, R            | 16362-IG<br>B, I, W, G, R   |
| <b>Duplex</b>                                  | 16262<br>I, W, GY, E                 | 16362<br>I, W, GY, E, A     |

Back and Side Wired NEMA 6-15R & 6-20R

| DESCRIPTION                   | CAT. NO./COLOR*<br>15A/250V    | CAT. NO./COLOR*<br>20A/250V    |
|-------------------------------|--------------------------------|--------------------------------|
|                               | 6-15R                          | 6-20R                          |
| <b>Hospital Grade, Duplex</b> | 16662-HG<br>I, W (No Mahogany) | 16462-HG<br>I, W (No Mahogany) |

Wallplates for Isolated Ground Devices Engraved with "Isolated Ground"

| DESCRIPTION                        | CAT. NO. | COLOR*      |
|------------------------------------|----------|-------------|
| <b>Decora Receptacle Wallplate</b> | 80401-IG | Orange only |

All devices are UL Listed and CSA Certified.

### SPECIFICATIONS & FEATURES

- Durable thermoplastic face in an array of contemporary colors
- Receptacles have a locked-in mounting strap with a self-grounding clip riveted to the strap
- Hospital Grade Tamper-resistant receptacles include a unique shutter mechanism that opens easily for the insertion of 2 or 3-prong plugs while preventing entry by other small objects into either outlet slot
- Hospital Grade Isolated Ground receptacles (identified by an orange face or triangle on the face) protect sensitive electronic equipment and eliminate electromagnetic interference by providing a separate path to ground
- Back and side wiring terminals permit fast installation of up to # 10 solid or stranded conductors
- Triple-wipe copper alloy contacts ensure maximum conductivity

### TESTING & CODE COMPLIANCE

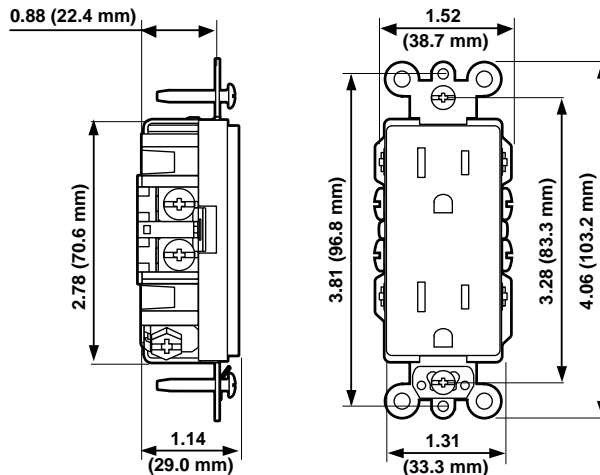
- UL Listed (File #E-13399)
- CSA Certified (File #LR-406)
- NOM Certified (#057)
- Backed by a Limited 10-Year Warranty

### \*COLOR

Basic Cat. Nos. denote Mahogany device (unless indicated) and Orange for Isolated Ground (-IG) Devices. Isolated Ground Receptacle is distinguished by an orange triangle on its face. For other color selections, add suffix to the catalog number as follows: Ivory (-I), White (-W), Almond (-A), Mahogany (for IG devices only, add -B), Red (-R), Gray (-G or -GY) and Black (-E).

### MATERIAL CHARACTERISTICS



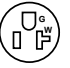
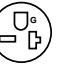
Environmental: Flammability UL-94, V2 Rating  
Operating Temperature: -40°C to 60°C  
Maximum Continuous



DUPLEX BACK AND SIDE WIRED  
Cat. No. 16262



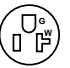
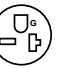
For more information regarding matching wallplates, colors, materials, single and multi-gang, refer to Wallplates section.

**Back and Side Wired, Self-Grounding\***  
NEMA 5-15R, 6-15R, 5-20R & 6-20R (Basic Cat. No. Denotes Mahogany Device\*)

| DESCRIPTION    | CAT. NO./COLOR<br>15A/125V  | CAT. NO./COLOR<br>15A/250V  | CAT. NO./COLOR<br>20A/125V  | CAT. NO./COLOR<br>20A/250V   |
|----------------|---|---|---|--|
|                | 5-15R  | 6-15R  | 5-20R  | 6-20R  |
| <b>Duplex</b>  | 16252<br>I, W, GY, E, A   | 16662<br>I, W   | 16352<br>I, W, GY, E, A   | 16462<br>I, W  |
| <b>Single★</b> | 16251<br>I, W   | 16651<br>I, W<br>(No Mahogany)  | 16351<br>I, W   | 16451<br>I, W<br>(No Mahogany)   |

\*Self-grounding when installed in a properly grounded metal wallbox

**Side Wired, Self-Grounding\*** NEMA 5-15R, 6-15R, 5-20R & 6-20R  
(Basic Cat. No. Denotes Mahogany Device\*)

| DESCRIPTION    | CAT. NO./COLOR<br>15A/125V  | CAT. NO./COLOR<br>15A/250V  | CAT. NO./COLOR<br>20A/125V  | CAT. NO./COLOR<br>20A/250V   |
|----------------|---|---|---|--|
|                | 5-15R  | 6-15R  | 5-20R  | 6-20R  |
| <b>Duplex</b>  | 16242<br>I, W, E<br>(No Mahogany)   | —   | 16342<br>I, W, GY, E  | —  |
| <b>Single★</b> | 16241<br>I, W<br>(No Mahogany)  | 16641<br>I, W<br>(No Mahogany)  | 16341<br>I, W, GY, A  | 16441<br>I, W, A<br>(No Mahogany)  |

\*Self-grounding when installed in a properly grounded metal wallbox

**Back and Side Wired, Self-Grounding\***  
125V/250V Dual Voltage NEMA 5-15R & 6-15R

| DESCRIPTION                 | 15 AMP | COLOR*   |
|-----------------------------|--------|--|
| <b>Duplex, Dual Voltage</b> | 16292  | I, W<br><small>Basic Cat. No. Denotes Mahogany</small> |

\*Self-grounding when installed in a properly grounded metal wallbox  
All devices are UL Listed. Also CSA Certified except where indicated by★



### SPECIFICATIONS & FEATURES

- Back Wire and Side Wire terminal options
- Heavy-gauge zinc-plated steel locked-in wrap-around strap
- Terminal screws accept up to No. 10 copper or copper-clad wire, solid or stranded
- Back wire terminals accept up to No. 10 copper or copper-clad wire, solid or stranded
- Labor-saving self-grounding clip
- Heavy-duty triple-wipe brass contacts for long service life
- Impact-resistant thermoplastic construction

### TESTING & CODE COMPLIANCE

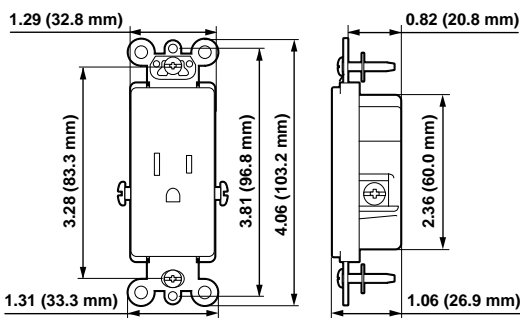
- UL Listed (File #E-13399)
- CSA Certified (File #LR-406)
- NOM Certified (#057)
- Backed by a Limited 10-Year Warranty

### \*COLOR

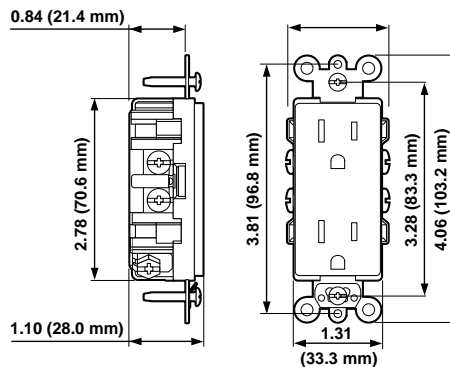
Basic Cat. No. denotes Mahogany device (unless indicated). For other color selections, add suffix to the catalog number as follows: Ivory (-I), White (-W), Almond (-A), Gray (-GY) and Black (-E).

### MATERIAL CHARACTERISTICS

Environmental: Flammability UL-94, V2 Rating  
Operating Temperature: -40°C to 60°C  
Maximum Continuous



**SINGLE BACK AND SIDE WIRED,  
SELF-GROUNDING**  
Cat. No. 16251



**DUPLEX BACK AND SIDE WIRED,  
SELF-GROUNDING**  
Cat. No. 16252

For more information regarding matching wallplates, colors, materials, single and multi-gang, refer to Wallplates section.




5325-W in 80301-W



5325-GY in 80301-GY

### Side Wire and Quickwire NEMA 5-15R

| DESCRIPTION                  | 15 AMP  | COLOR                           |
|------------------------------|---|---------------------------------|
|                              | 5-15R  | Basic Cat. No. Denotes Mahogany |
| Duplex                       | 5325  | I, W, A, GY, E                  |
| Duplex, Self-Grounding Clip★ | 5325-S  | I, W (No Mahogany)              |
| Duplex, 8-Hole Quickwire★    | 5328  | I, W, A (No Mahogany)           |

\*Self-grounding when installed in a properly grounded metal wallbox  
All devices are UL Listed. Also CSA Certified except where indicated by★

#### SPECIFICATIONS & FEATURES

- Side Wire and Quickwire™ holes accept No. 14 AWG copper wire for Cat. No. 5325
- Heavy-gauge zinc-plated steel mounting strap
- Heavy duty double-wipe brass contacts for long service life

#### TESTING & CODE COMPLIANCE

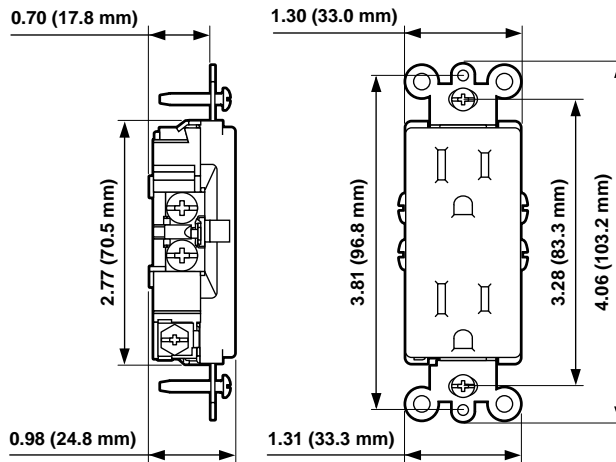
- UL Listed (File #E-13399)
- CSA Certified (File #LR-406)
- NOM Certified (#057)
- Backed by a Limited One-Year Warranty

#### \*COLOR

Colors available as listed. For other color selections, add suffix to catalog numbers as follows: Ivory (-I), White (-W), Almond (-A), Gray (-GY), Black (-E).

#### MATERIAL CHARACTERISTICS



Environmental: Flammability UL-94, V2 Rating  
Operating Temperature: -40°C to 60°C  
Maximum Continuous



DUPLEX QUICKWIRE PUSH-IN AND SIDE-WIRED  
Cat. No. 5325

For more information regarding matching wallplates, colors, materials, single and multi-gang, refer to Wallplates section.

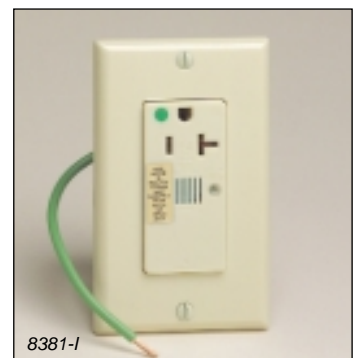
Back and Side Wired NEMA 5-15R & 5-20R  
(Basic Cat. No. denotes Mahogany device, except where indicated)

| DESCRIPTION                                   | CAT. NO./COLOR*<br>15A/125V   | CAT. NO./COLOR*<br>20A/125V   |
|---|---|---|
|   | 5-15R  | 5-20R  |
| Hospital Grade, TVSS Duplex                   | 8280<br>I, W, R, B  | 8380<br>I, W, GY, R, B  |
| Hospital Grade, TVSS Single                   | —   | 8381<br>I, GY, R  |
| Hospital Grade, Isolated Ground TVSS Duplex   | 8280-IG<br>I, W, G, A, B, O<br>(No Mahogany)  | 8380-IG<br>I, W, G, R, B, O<br>(No Mahogany)  |
| Hospital Grade, Isolated Ground TVSS Single   | 8281-IG<br>I, W, A, O<br>(No Mahogany)  | 8381-IG<br>I, W, B, O<br>(No Mahogany)  |
| Industrial Grade, TVSS duplex                 | 5280<br>I, W, GY, A, B  | 5380<br>I, W, GY, B   |
| Industrial Grade, Isolated Ground TVSS Duplex | 5280-IG<br>I, W, G, A, B, O   | 5380-IG<br>I, W, G, B, O  |

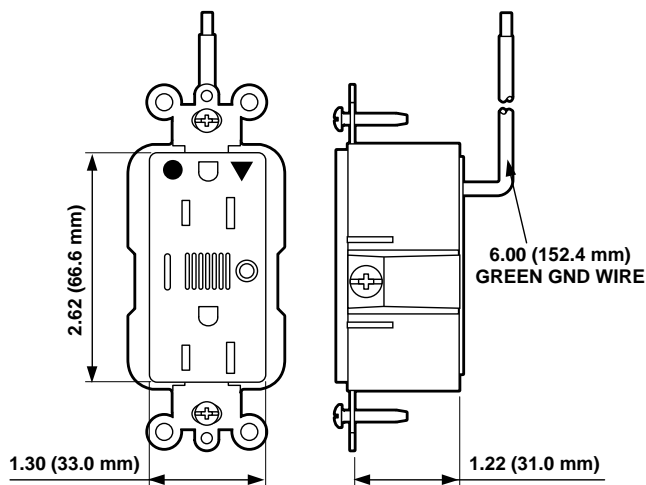
All devices are UL Listed and CSA Certified



8280-R



8381-I



TVSS DUPLEX  
Cat. No. 8280-IG

### SPECIFICATIONS & FEATURES

- Decora-styled TVSS receptacles protect sensitive electronic equipment against transient voltage surges
- Superior 3-mode protection between line and neutral, line and ground, and neutral and ground
- Monitor/Indicator light shows 3-mode protection is active
- Fuse-protected internal circuitry
- Super impact-resistant Lexan face
- RFI and EMI noise filtration (-35db, @ 5KHz-5MHz)
- Supplied with Decora wallplate
- Hospital Grade and Isolated Ground versions include green LED indicator light that goes out and audible alarm that sounds when protection is lost
- Industrial Grade versions include green LED indicator light that goes out when protection is lost
- Maximum Continuous Operating Voltage: 150V
- Maximum single-pulse transient current (8 x 20 ms Amps peak) 13,000A (L-N), 6500A (L-G), 6500 (N-G)
- Rated single pulse transient energy (10 x 1000ms, impulse) 280 joules

### TESTING & CODE COMPLIANCE

- UL Listed (File #E-13399)
- CSA Certified (File #LR-406)
- NOM Certified (#057)
- 15 and 20 amp versions both meet new UL Standard 1449-2nd ED. (1998)
- Backed by a Limited Five-Year Warranty

### \*COLOR

Basic Cat. Nos. denote Mahogany device, unless indicated. Isolated Ground Receptacle is distinguished by an orange triangle on its face. For other color selections, add suffix to the catalog number as follows: Ivory (-I), White (-W), Almond (-A), Red (-R), Gray (-G or -GY), Blue (-B) and Orange (-O).

### MATERIAL CHARACTERISTICS

Environmental: Flammability UL-94, V2 Rating  
Operating Temperature: -40°C to 120°C

For more information regarding matching wallplates, colors, materials, single and multi-gang, refer to Wallplates section.

For more information regarding Surge Protection Devices, refer to the section.







6599-W



5299-W

### 125V 60HZ AC—Back and Side Wired

| DESCRIPTION   | RECEPTACLE  |  | FEED-THROUGH RATING  | COLOR*<br><small>Basic Cat. No. Denotes Mahogany</small> |
|---|---|--|--|--|
|   | 15 AMP/<br>CAT. NO.   | 20 AMP/<br>CAT. NO.  |  |  |
|   | 5-15R  | 5-20R  |  |  |
| <b>GFCI Receptacle with Indicator Light, Commercial Specification Grade</b>                         | 6598  | 6898   | 20 Amps  | I, W   |
| <b>GFCI Receptacle, No Indicator Light, Commercial Specification Grade</b>                          | 6599  | 6899   | 20 Amps  | <b>15A:</b> I, W, E, GY, A<br><b>20A:</b> I, W, GY       |
| <b>GFCI Receptacle/Buttons match face color. No Indicator Light, Commercial Specification Grade</b> | 6599-A  | 6899-A   | 20 Amps  | I, W, A  |
| <b>Hospital Grade GFCI Receptacle with Indicator Light</b>  | 6598-HG   | 6898-HG  | 20 Amps  | I, W, G, R   |
| <b>GFCI Receptacle, No Indicator Light, with 4½" Leads, Commercial Specification Grade*</b>         | 6599-L*   | —  | 20 Amps  | I, W   |
| <b>Switch-Rated GFCI, Blank Face Feed-Through, No Indicator Light</b>                               | —   | —  | 6490<br>20 Amp 125V<br>Switch Rated;<br>Switch Rating:<br>1.5 HP @120V | I, W, E  |

#### SPECIFICATIONS & FEATURES

- Protects against ground fault shock hazard wherever electrical contact might provide a path to ground through a human body
  - Can be wired to provide feed-through protection to other outlets on the same circuit
  - Sturdy impact-resistant plastic face
  - Built-in TEST and RESET buttons on device face
  - Back and side wired for easy installation
  - Trip threshold meets or exceeds UL requirements for tripping time
  - Silver alloy contacts provide maximum protection
- Combination Switch/GFCI**
- Ideal for kitchens, bathrooms, modular kitchen units, bathroom cabinet fixtures, lamp cabinet fixtures and applications where combination devices are used

#### Hospital Grade

- UL Listed Hospital Grade Receptacle construction

#### TESTING & CODE COMPLIANCE

- UL Listed (File #E-48380)
- CSA Certified (File #LR-57811)
- NOM Certified (File# 057)
- Conform with UL Standard 943 Class A (GFCI) and 498 (Receptacle)
- Backed by a Limited Two-Year Warranty

#### \*COLOR

Basic Cat. Nos. shown above denote Mahogany color device. For other color selections, add suffix to the catalog number as follows: Ivory (-I), White (-W), Red (-R), Gray (-GY or -G), Black (-E) and Almond (-A).

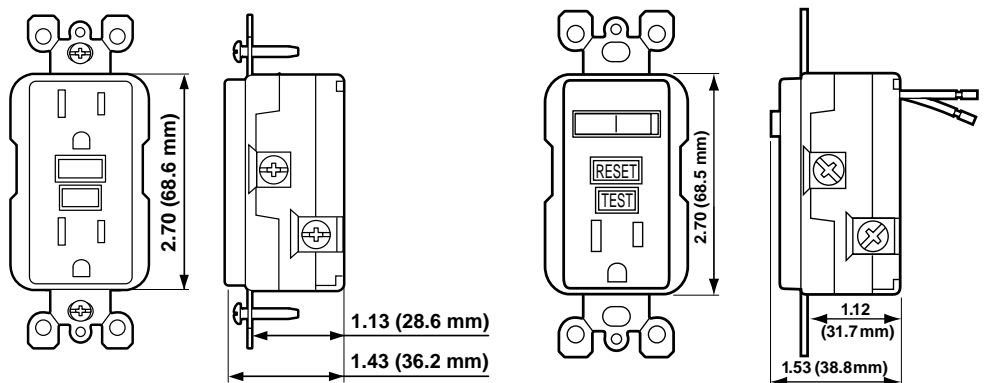
#### MATERIAL CHARACTERISTICS

Environmental: Flammability UL-94, V2 Rating  
Operating Temperature: -40°C to 120°C

### Combination Switch GFCI Outlet — Side Wired Switch 1000 WATTS 125V AC; Outlet 15 AMP 125V; Feed-Through 20 AMP 125V

| DESCRIPTION   | CAT. NO. | COLOR*<br><small>Basic Cat. No. Denotes Mahogany</small> |
|---|----------|--|
| <b>Single-Pole Switch &amp; GFCI Protected Outlet</b> | 5299     | I, W   |

All devices are UL Listed. Also CSA Certified except where indicated by\*



COMMERCIAL GRADE GFCI RECEPTACLE  
Cat No. 6599

COMBINATION SWITCH GFCI OUTLET  
Cat No. 5299

For more information regarding matching wallplates, colors, materials, single and multi-gang, refer to Wallplates section.