

Power Devices

20 AMP 120/208V 3ØY 4-Pole 4-Wire

DESCRIPTION	CAT. NO.	WALLPLATE INFORMATION
Flush Mount Receptacle★	7250	Fits any standard single gang receptacle plate.
	18-20R	
Matching Plug★	7251-C	
	18-20P	

30 AMP 125V 2-Pole 3-Wire Grounding

DESCRIPTION	CAT. NO.	WALLPLATE INFORMATION
Flush Mount Receptacle	5371†	Fits all wallplates with 2.147" diameter center hole.
	5-30R	
Matching Angle Plug	9530-P	
	5-30P	

30 AMP 125V 2-Pole 3-Wire Grounding

DESCRIPTION	CAT. NO.
Flush Mount Receptacle for Recreational Vehicles	7313
	TT-30R
Matching Angle Plug	830-T
	TT-30P ANSI STD.C73.13

SPECIFICATIONS & FEATURES

- Heavy-gauge, double-wipe copper alloy contacts
- Easy-to-wire terminals accept up to No. 4 AWG conductors
- Terminals marked for easy identification and fast wiring
- All mounting hardware included
- Flush-mount devices fit single or two-gang outlet boxes

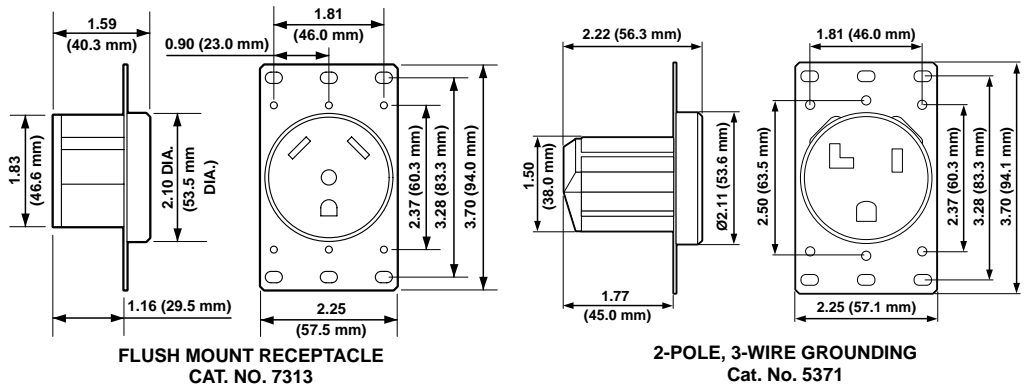
TESTING & CODE COMPLIANCE

- UL Listed for copper or aluminum conductors—except Cat. Nos. 7250, 7313, 830-T (File #E-13399); Angle Plugs (File #E-13393)
- UL Test 498
- CSA Certified for copper or aluminum conductors (File #LR-406); Receptacle for Recreational Vehicles (File #2781); CSA Test 42
- NOM Certified (#057)
- Meets NEMA and ANSI standards
- Backed by a Limited 10-Year Warranty

MATERIAL CHARACTERISTICS

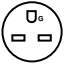

Environmental: Flammability, Rated V2
Operating Temperature: From -40° C (without impact) to 60° C maximum continuous

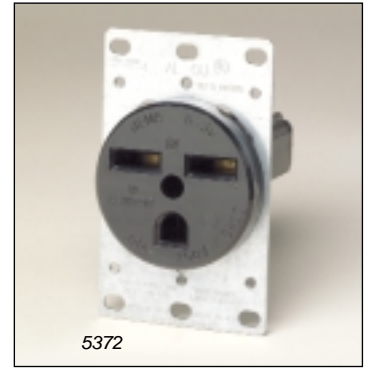
†Matching single-gang wallplate: Cat. No. 84028. Matching Industrial Weather-Resistant cover: Cat. No. WP2.
All devices are UL Listed. Also CSA Certified except where indicated by ★





Power Devices

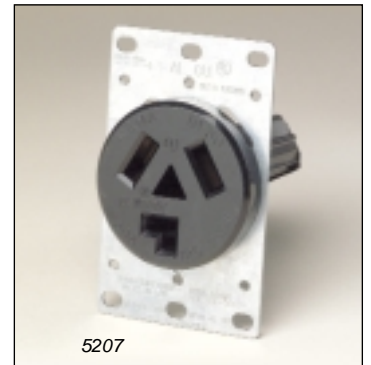
30 AMP 250V 2-Pole 3-Wire Grounding

DESCRIPTION	CAT. NO.	WALLPLATE INFORMATION
Flush Mount Receptacle	5372†	Fits all wallplates with 2.147" diameter center hole.
	6-30R 	
Surface Mount Receptacle	5376	
Matching Angle Plug	9630	
	6-30P 	





30 AMP 277V 2-Pole 3-Wire Grounding

DESCRIPTION	CAT. NO.	WALLPLATE INFORMATION
Flush Mount Receptacle	9730†	Fits all wallplates with 2.147" diameter center hole.
	7-30R 	
Matching Angle Plug	9730-P	
	7-30P 	



30 AMP 125/250V 3-Pole 3-Wire Non-Grounding

DESCRIPTION	CAT. NO.	WALLPLATE INFORMATION
Flush Mount Receptacle	5207†	Fits all wallplates with 2.147" diameter center hole.
	10-30R 	
Surface Mount Receptacle	5054-2	
Matching Angle Plug	9332-P	
	10-30P 	

†Matching single-gang wallplate: Cat. No. 84028. Matching Industrial Weather-Resistant cover: Cat. No. WP2.
All devices are UL Listed and CSA Certified.

SPECIFICATIONS & FEATURES

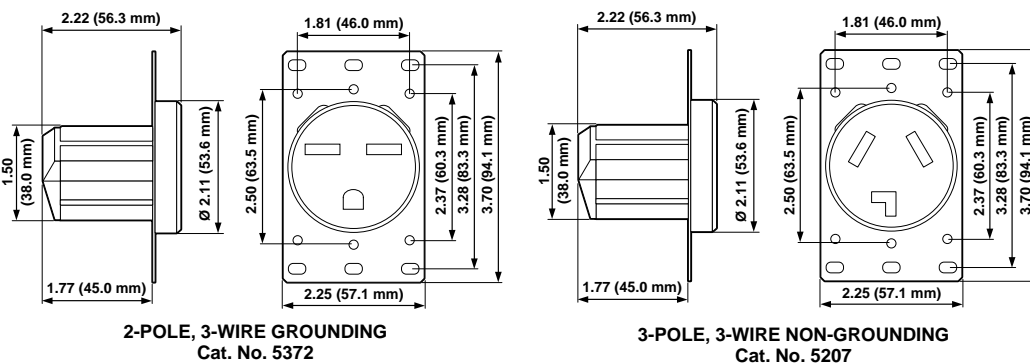
- Made of durable thermoplastic
- Heavy-gauge, double-wipe copper alloy contacts
- Easy-to-wire terminals accept up to No. 4 AWG conductors
- Terminals marked for easy identification and fast wiring
- All mounting hardware included
- Flush-mount devices fit single or two-gang outlet boxes
- Surface-mount devices are COMMERCIAL SPECIFICATION GRADE and have concentric knockouts for 3/4" and 1" conduit and adjustable cord clamp for back and bottom entrance of cable

TESTING & CODE COMPLIANCE

- UL Listed for copper or aluminum conductors (File #E-13399); Angle Plugs (File #E-13393, File #E-3810)
- UL Test 498
- CSA Certified for copper or aluminum conductors (File #LR-406); CSA Test 42
- NOM Certified (#057)
- Meets NEMA and ANSI standards
- Backed by a Limited 10-Year Warranty

MATERIAL CHARACTERISTICS

Environmental: Flammability, Rated V2
Operating Temperature: From -40° C (without impact) to 75°C maximum continuous





278



8330

Power Devices

30 AMP 125/250V 3-Pole 4-Wire Grounding

DESCRIPTION	CAT. NO.	WALLPLATE INFORMATION
Flush Mount Receptacle	278†	Fits all wallplates with 2.465" diameter center hole.
	14-30R	
Panel Mount Receptacle	278-PM	
Surface Mount Receptacles	55054	
Matching Angle Plug	9432-P	
	14-30R	

30 AMP 250V 3Ø 3-Pole 4-Wire Grounding

DESCRIPTION	CAT. NO.	WALLPLATE INFORMATION
Flush Mount Receptacle	8430††	Fits 2-gang wallplates w/2.465" diameter center hole.
	15-30R	
Matching Angle Plug	8432-P	
	15-30P	

30 AMP 120/208V 3ØY 4-Pole 4-Wire Non-Grounding

DESCRIPTION	CAT. NO.	WALLPLATE INFORMATION
Flush Mount Receptacle	8330††	Fits 2-gang wallplates w/2.465" diameter center hole
	18-30R	
Matching Angle Plug	8332-P	
	18-30R	

†Matching single-gang wallplate: Cat. No. S701
 ††Matching single-gang wallplate: Cat. No. S701-40
 All devices are UL Listed and CSA Certified.

SPECIFICATIONS & FEATURES

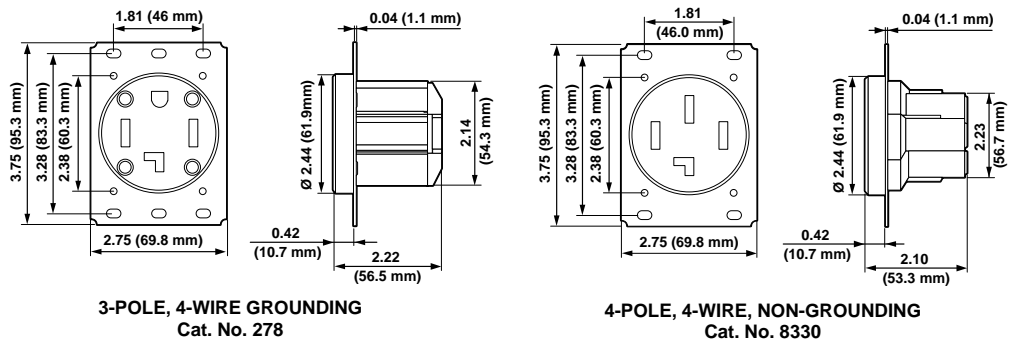
- Made of durable thermoplastic
- Heavy-gauge, double-wipe copper alloy contacts
- Easy-to-wire terminals accept up to No. 4 AWG conductors
- Terminal marked for easy identification and fast wiring
- All mounting hardware included
- Flush-mount devices fit single or two-gang outlet boxes
- Surface mount devices are COMMERCIAL SPECIFICATION GRADE and have concentric knockouts for 3/4" and 1" conduit and adjustable cord clamp and back and bottom entrance of cable

TESTING & CODE COMPLIANCE

- UL Listed for copper or aluminum conductors (File #E-13399); Angle Plugs (File #E-13393, File #E-3810)
- UL Test 498
- CSA Certified for copper or aluminum conductors (File #LR-406); CSA Test 42
- NOM Certified (#057)
- Meets NEMA and ANSI standards
- Backed by a Limited 10-Year Warranty

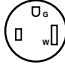
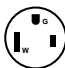
MATERIAL CHARACTERISTICS

Environmental: Flammability, Rated V2
 Operating Temperature: From -40° C (without impact) to 75°C maximum continuous



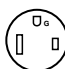

Power Devices

50 AMP 125V 2-Pole 3-Wire Grounding

DESCRIPTION	CAT. NO.	WALLPLATE INFORMATION
Flush Mount Receptacle	5373†	Fits all wallplates with 2.147" diameter center hole.
	5-50R 	
Matching Angle Plug	9550-P	
	5-50P 	





50 AMP 250V 2-Pole 3-Wire Grounding

DESCRIPTION	CAT. NO.	WALLPLATE INFORMATION
Flush Mount Receptacle	5374†	Fits all wallplates with 2.147" diameter center hole.
	6-50R 	
Surface Mount Receptacle	5378	
Matching Angle Plug	9650-P	
	6-50P 	



50 AMP 277V 2-Pole 3-Wire Grounding

DESCRIPTION	CAT. NO.	WALLPLATE INFORMATION
Flush Mount Receptacle	9750†	Fits all wallplates with 2.147" diameter center hole.
	7-50R 	
Matching Angle Plug	9750-P	
	7-50P 	

†Matching single-gang wallplate: Cat. No. 84028. Matching Industrial Weather-Resistant cover: Cat. No. WP2.
All devices are UL Listed and CSA Certified.

SPECIFICATIONS & FEATURES

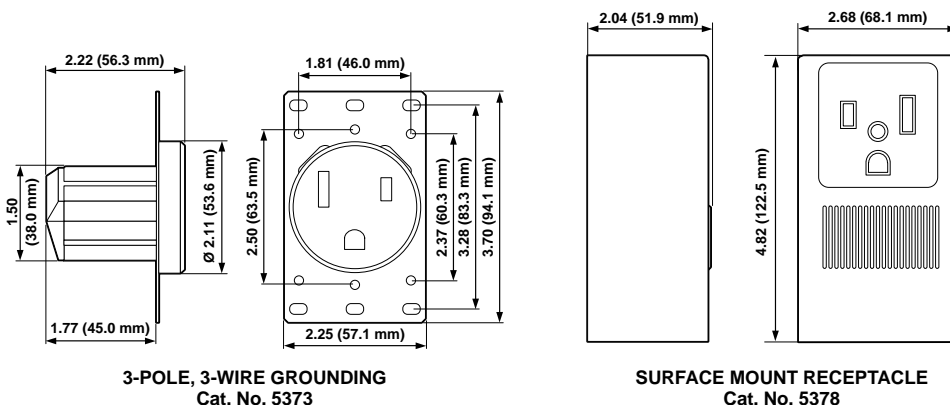
- Made of durable thermoplastic
- Heavy-gauge, double-wipe copper alloy contacts
- Easy-to-wire terminals accept up to No. 4 AWG conductors
- Terminal marked for easy identification and fast wiring
- All mounting hardware included
- Flush-mount devices fit single or two-gang outlet boxes
- Surface-mount devices are COMMERCIAL SPECIFICATION GRADE and have concentric knockouts for 3/4" and 1" conduit and adjustable cord clamp and back and bottom entrance of cable

TESTING & CODE COMPLIANCE

- UL Listed for copper or aluminum conductors (File #E-13399); Angle Plugs (File #E-13393, File #E-3810)
- UL Test 498
- CSA Certified for copper or aluminum conductors (File #LR-406); CSA Test 42
- NOM Certified (#057)
- Meets NEMA and ANSI standards
- Backed by a Limited 10-Year Warranty

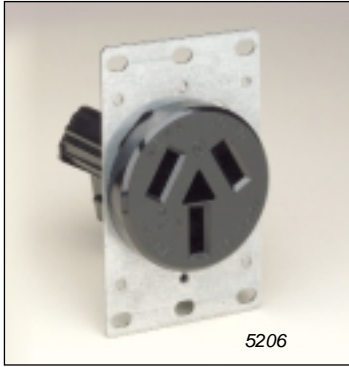
MATERIAL CHARACTERISTICS

Environmental: Flammability, Rated V2
Operating Temperature: From -40° C (without impact) to 75° C maximum continuous



3-POLE, 3-WIRE GROUNDING
Cat. No. 5373

SURFACE MOUNT RECEPTACLE
Cat. No. 5378



Power Devices

50 AMP 125/250V 3-Pole 3-Wire Non-Grounding

DESCRIPTION	CAT. NO.	WALLPLATE INFORMATION
Flush Mount Receptacle	5206†	Fits all wallplates with 2.147" diameter center hole.
	10-50R	
Surface Mount Receptacle	5050	
Matching Angle Plug	9450-P	
	10-50P	

50 AMP 125/250V 3-Pole 4-Wire Grounding

DESCRIPTION	CAT. NO.	WALLPLATE INFORMATION
Flush Mount Receptacle	279††	Fits all wallplates with 2.465" diameter center hole.
	14-50R	
Panel Mount Receptacle	279-PM	
Surface Mount Receptacle	55050	
Matching Angle Plug	9452-P	
	14-50P	

50 AMP 250V 3Ø 3-Pole 4-Wire Grounding

DESCRIPTION	CAT. NO.	WALLPLATE INFORMATION
Flush Mount Receptacle	8450††	Fits wallplates with 2.465" diameter center hole.
	15-50R	
Matching Angle Plug	8452-P	
	15-50P	

†Matching single-gang wallplate: Cat. No. 84208. Matching Industrial Weather-Resistant cover: Cat. No. WP2.

††Matching single-gang wallplate: Cat. No. S701-40

All devices are UL Listed and CSA Certified.

SPECIFICATIONS & FEATURES

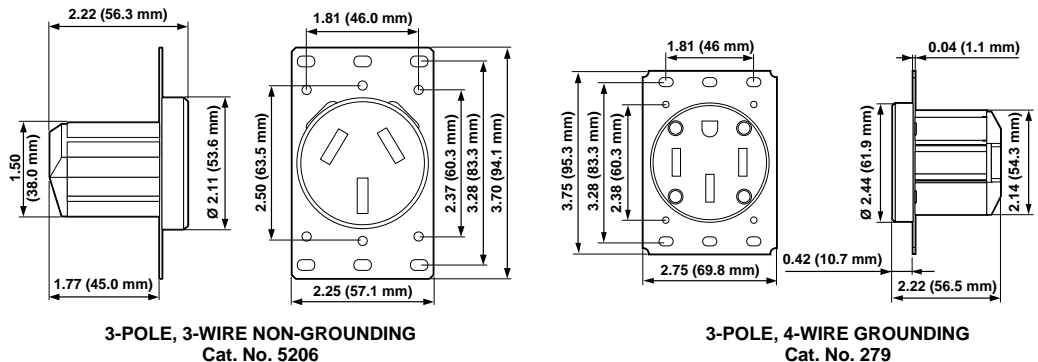
- Made of durable thermoplastic
- Heavy-gauge, double-wipe copper alloy contacts
- Easy-to-wire terminals accept up to No. 4 AWG conductors
- Terminal marked for easy identification and fast wiring
- All mounting hardware included
- Flush-mount devices fit single or two-gang outlet boxes
- Surface-mount devices are COMMERCIAL SPECIFICATION GRADE and have concentric knockouts for 3/4" and 1" conduit and adjustable cord clamp and back and bottom entrance of cable

TESTING & CODE COMPLIANCE

- UL Listed for copper or aluminum conductors (File #E-13399); Angle Plugs (File #E-13393, File #E-3810)
- UL Test 498
- CSA Certified for copper or aluminum conductors (File #LR-406); CSA Test 42
- NOM Certified (#057)
- Meets NEMA and ANSI standards
- Backed by a Limited 10-Year Warranty


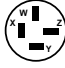
MATERIAL CHARACTERISTICS

Environmental: Flammability, Rated V2
Operating Temperature: From -40° C (without impact) to 75° C maximum continuous



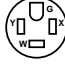

Power Devices

50 AMP 120/208V 3ØY 4-Pole 4-Wire Non-Grounding

DESCRIPTION	CAT.NO.	WALLPLATE INFORMATION
Flush Mount Receptacle★	8350†	Fits wallplates with 2.465" diameter center hole.
	18-50R 	
Matching Angle Plug★	8352-P	
	18-50P 	





60 AMP 125/250V 3-Pole 4-Wire Grounding



DESCRIPTION	CAT.NO.	WALLPLATE INFORMATION
Flush Mount Receptacle	9460†	Fits wallplates with 2.465" diameter hole.
	14-60R 	
Matching Angle Plug	9462-P	
	14-60P 	



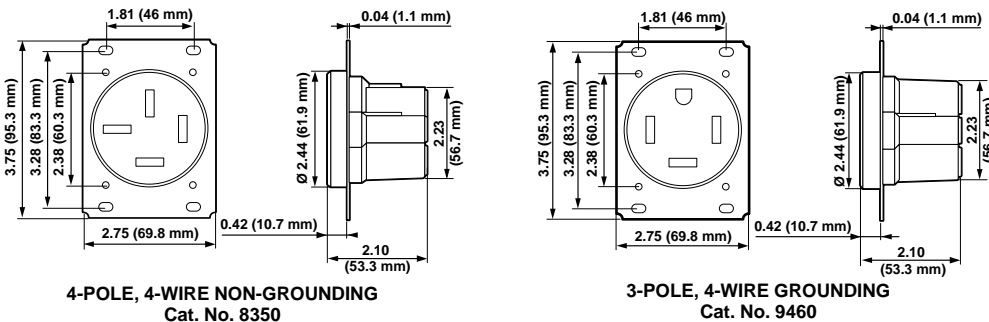
60 AMP 250V 3Ø 3-Pole 4-Wire Grounding

DESCRIPTION	CAT. NO.	WALLPLATE INFORMATION
Flush Mount Receptacle	8460†	Fits wallplates with 2.465" diameter hole.
	15-60R 	
Matching Angle Plug	8462-P	
	15-60P 	

60 AMP 120/208V 3ØY 4-Pole 4-Wire Non-Grounding

DESCRIPTION	CAT. NO.	WALLPLATE INFORMATION
Flush Mount Receptacle★	8360†	Fits wallplates with 2.465" diameter hole.
	18-60R 	
Matching Angle Plug★	8362-P	
	18-60P 	

†Matching single-gang wallplate: Cat. No. S701-40
 All devices are UL Listed. Also CSA Certified except where indicated by★



SPECIFICATIONS & FEATURES

- Made of durable thermoplastic
- Heavy-gauge, double-wipe copper alloy contacts
- Easy-to-wire terminals accept up to No. 4 AWG conductors
- Terminal marked for easy identification and fast wiring
- All mounting hardware included
- Flush-mount devices fit single or two-gang outlet boxes
- Surface-mount devices are COMMERCIAL SPECIFICATION GRADE and have concentric knockouts for 3/4" and 1" conduit and adjustable cord clamp and back and bottom entrance of cable

TESTING & CODE COMPLIANCE

- UL Listed for copper or aluminum conductors (File #E-13399); Angle Plugs (File #E-13393, File #E-3810)
- UL Test 498
- CSA Certified for copper or aluminum conductors (File #LR-406); CSA Test 42
- NOM Certified (#057)
- Meets NEMA and ANSI standards
- Backed by a Limited 10-Year Warranty

MATERIAL CHARACTERISTICS

Environmental: Flammability, Rated V2
 Operating Temperature: From -40° C (without impact) to 75°C maximum continuous