

### Hospital Grade

Back and Side Wired (Basic Cat. No. Denotes Brown Device\*)

DESCRIPTION	CAT. NO./COLOR 15A/125V	CAT. NO./COLOR 15A/250V	CAT. NO./COLOR 20A/125V	CAT. NO./COLOR 20A/250V
	5-15R	6-15R	5-20R	6-20R
Duplex Receptacle, 1-Piece Nickel-Plated Brass Strap	8200 I, W, GY, R	8600 I	8300 I, W, GY, R, E	8400 I
Single Receptacle†	8210 I, W, R	—	8310 I, W, GY, R	—
Slim Design Receptacle†	8200-H I, W, GY, R	—	8300-H I, W, GY, R	—
Duplex Receptacle, Tamper-Resistant†	5262-SG I, W, G, R	—	5362-SG I, W, G, R	—
Illuminated Duplex Receptacle†	5262-HLI I, W, R, No Brown	—	5362-HL I, W, R, No Brown	—

†Single, Slim Design, Illuminated and Tamper-Resistant Receptacles meet specifications for UL Hospital Grade listing, but are of different construction and design from standard Duplex Receptacles.

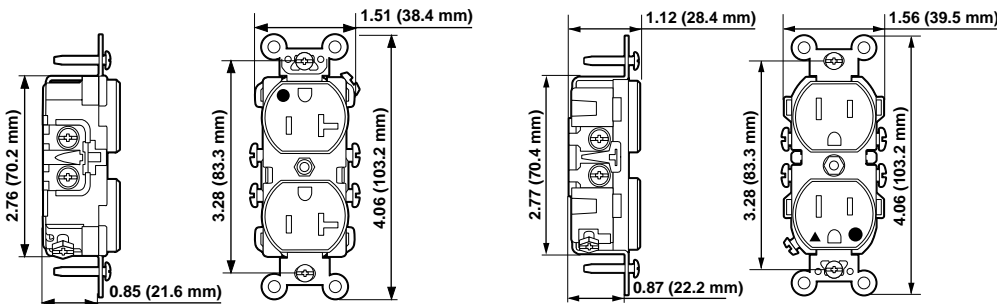
### Isolated Ground Receptacles (Basic Cat. No. Denotes Orange Device\*)

DESCRIPTION	CAT. NO./COLOR 15A/125V	CAT. NO./COLOR 15A/250V	CAT. NO./COLOR 20A/125V	CAT. NO./COLOR 20A/250V
Duplex Receptacle	5262-IG B, I, W, G, R	—	5362-IG B, I, W, G, R	—
Duplex Receptacle w/6" Ground Lead	5262-LIG Orange Only	—	5362-LIG Orange Only	—
Single Receptacle	5261-IG Orange Only	—	5361-IG Orange Only	—

### Wallplates for Isolated Ground Devices (Engraved with "Isolated Ground")

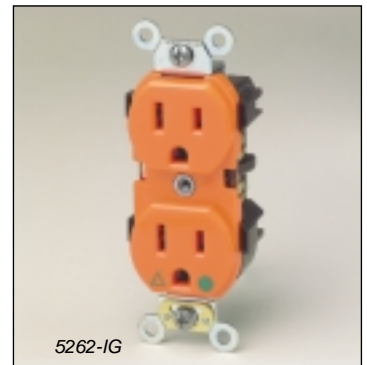
DESCRIPTION	15A/125V	15A/250V	20A/125V	20A/250V	COLOR*
1 Duplex Receptacle	80703-IG	—	—	—	B, I, W, R, G
1 Single Receptacle 1.406" diameter	80704-IG	—	—	—	Orange Only

All devices are UL Listed and CSA Certified.



HOSPITAL GRADE  
Cat. No. 8300

HOSPITAL GRADE ISOLATED GROUND  
Cat. No. 5262-IG



### SPECIFICATIONS & FEATURES

- Impact-resistant thermoplastic nylon cover and body
- Smooth face does not collect dirt
- Four corner latches securely fasten face
- Large, triple-wipe, brass "T" contacts for superior contact and conductivity
- High-performance brass #10-32 terminal screws to reduce conductor oxidation
- Back and side-wire ground termination-brass strap version
- Back and side-wiring options
- Break-off tabs for easy two-circuit conversion
- Apron barrier to prevent accidental contact between terminal screw heads and metal box
- Exclusive V-shaped, serrated back-wiring clamps for superior contact

### TESTING & CODE COMPLIANCE

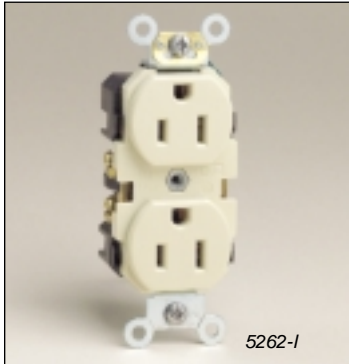
- UL Listed 498 for Hospital Grade (UL File #13399); UL Federal Specification WC-596
- CSA Certified where applicable (CSA File #LR-406)
- NOM Certified (#057)
- Meets NEMA WD-1 & 6, and ANSI standards
- Backed by a Limited 10-Year Warranty

### \*COLOR

Basic Cat. Nos. shown above denote Brown for Hospital Grade and Orange for Isolated Ground (-IG) Devices. Isolated Ground Receptacle is distinguished by an orange triangle on its face. For other color selections, add suffix to the catalog number as follows: Ivory (-I), White (-W), Brown (for IG devices only, add -B), Red (-R), Gray (-G or -GY) and Black (-E).

### MATERIAL CHARACTERISTICS

Environmental: Flammability, Rated V2  
 Operating Temperature: From -40° C (with-out impact) to 60° C maximum continuous



5262-I



5252-BU

### SPECIFICATIONS & FEATURES

- Impact-resistant thermoplastic nylon cover and body
- Smooth face does not collect dirt
- Four corner latches securely fasten face
- Locked-in mounting strap
- Large, triple-wipe, brass "T" contacts for superior contact and conductivity
- Back and side-wiring options
- Brass terminal screws to reduce conductor oxidation
- Break-off tabs for easy two-circuit conversion
- Apron barrier to prevent accidental contact between terminal screw heads and metal box
- Exclusive V-shaped, serrated back-wiring clamps for superior contact and conductivity

### TESTING & CODE COMPLIANCE

- UL Listed 498 (UL File #13399); UL Federal Specification WC-596
- CSA Certified where applicable (CSA File #LR-406)
- NOM Certified (#057)
- Meets NEMA WD-1 & 6, and ANSI standards
- Backed by a Limited 10-Year Warranty

### \*COLOR

Basic Cat. Nos. shown above denote Brown color device. For other color selections, add suffix to the catalog number as follows: Ivory (-I), White (-W), Red (-R), Gray (-GY), Black (-E) and Blue (-BU).

### MATERIAL CHARACTERISTICS

Environmental: Flammability, Rated V2  
Operating Temperature: From -40° C (without impact) to 60° C maximum continuous

### Back and Side Wired (Basic Cat. No. Denotes Brown Device\*)

DESCRIPTION	CAT. NO./COLOR 15A/125V	CAT. NO./COLOR 15A/250V	CAT. NO./COLOR 20A/125V	CAT. NO./COLOR 20A/250V
	5-15R 	6-15R 	5-20R 	6-20R 
<b>Duplex Receptacle, 1 Pcs. Brass Strap</b>	5262A I, W, GY	—	5362A I, W, GY	—
<b>Duplex Receptacle, Steel Strap</b>	5262 I, W, GY, R, E	5662 I, A	5362 I, W, GY, R, E	5462 I, A
<b>Single Receptacle</b>	5261 I, W, GY	5661 I	5361 I, W, GY, A	5461 I, A
<b>Slim Design Duplex Receptacle</b>	5252 I, W, GY, R, E, BU, A	—	5352 I, W, GY, R, E, BU, A	—
<b>Single Receptacle, Clockhanger</b>	5261-CH Stainless Steel	—	5361-CH Stainless Steel	—
<b>Duplex Receptacle, Slim Body, Smooth Face, BULK/50</b>	5262-S I, W, GY	5662-S I	5362-S I, W, GY	5462-S I

Single Receptacles meet Federal Specification WC-596, but are of different construction and design from Duplex Receptacles listed above.

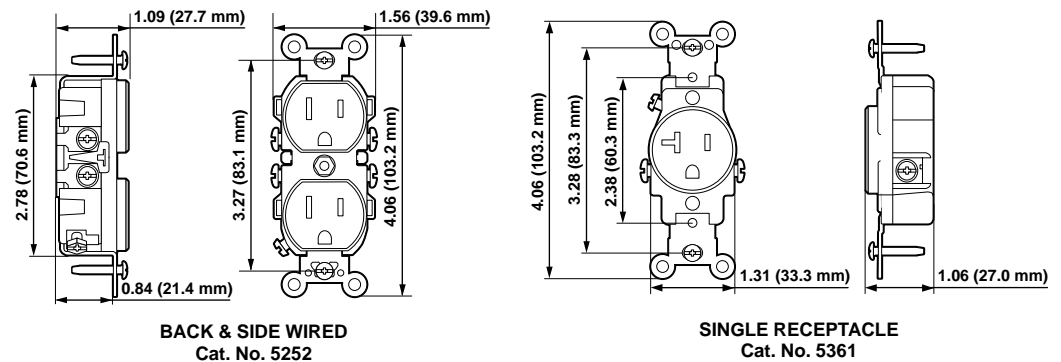
### Side Wired (Basic Cat. No. Denotes Brown Device\*)

DESCRIPTION	CAT. NO./COLOR 15A/125V	CAT. NO./COLOR 15A/250V	CAT. NO./COLOR 20A/125V	CAT. NO./COLOR 20A/250V
<b>Duplex Receptacle</b>	5242 I, W, GY, R	—	5342 I, W, GY, R	—
<b>Single Receptacle</b>	5251 I	5651 I	5351 I	—


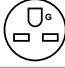


### Dual Voltage

DESCRIPTION	15A/125V	15A/250V	20A/125V	20A/250V	COLOR*
<b>Duplex Receptacle, Back and Side Wired</b>	5292	5292	—	—	I



All devices are UL Listed and CSA Certified.





Back and Side Wired 15 AMP 125V & 250V  
20 AMP 125V & 250V Grounding (Basic Cat. No. Denotes Brown Device\*)

DESCRIPTION	CAT. NO./COLOR 15A/125V	CAT. NO./COLOR 15A/250V	CAT. NO./COLOR 20A/125V	CAT. NO./COLOR 20A/250V
	5-15R 	6-15R 	5-20R 	6-20R 
Duplex Receptacle	BR15 I, W, GY, E, A	5098 I	BR20 I, W, GY, E, A	5824 I
Single Receptacle	5088 I, A	5089 I	5891 W	5823 I



Dual Voltage Back and Side Wired  
20 AMP 125V & 20 AMP 250V Grounding (Basic Cat. No. Denotes Brown Device\*)

DESCRIPTION	CAT. NO. 20A/125V	CAT. NO. 20A/250V	COLOR* Basic Cat. No. Denotes Brown
	5-20R 	6-20R 	I
Duplex Receptacle, Dual Voltage*	5844	5844	I

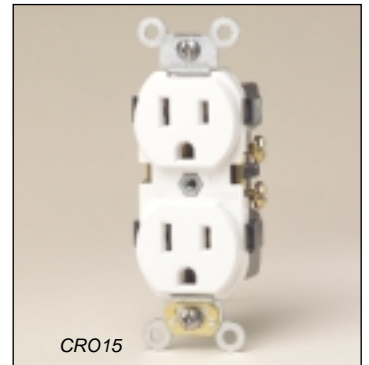
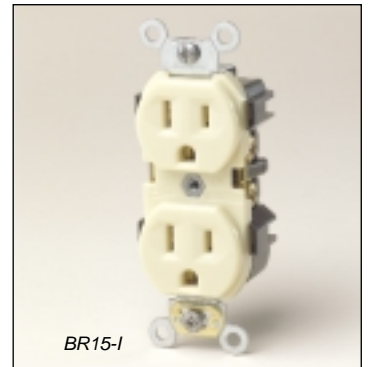
Dual Voltage Side Wired 15 AMP 125V & 15 AMP 250V Grounding

DESCRIPTION	CAT. NO. 15A/125V	CAT. NO. 15A/250V	COLOR* Basic Cat. No. Denotes Brown
	5-15R 	6-15R 	I, W
Duplex, Grounding, Dual Voltage (Triple Wipe)*	5031	5031	I, W

Dual Voltage Side Wired 20 AMP 125V & 20 AMP 250V Grounding

DESCRIPTION	CAT. NO. 20A/125V	CAT. NO. 20A/250V	COLOR* Basic Cat. No. Denotes Brown
	5-20R 	6-20R 	I
Duplex Receptacle, Dual Voltage (Triple Wipe)*	5842	5842	I

All devices are UL Listed. Also CSA Certified except where indicated by\*



### SPECIFICATIONS & FEATURES

- Large-head, triple-drive terminal screws, backed out and staked, accept No. 10 copper or copper-clad wire
- Back-wiring clamps accept up to No. 10 copper or copper-clad wire
- All power contacts are triple wipe for maximum conductivity and plug retention
- Heavy-gauge, rust-resistant steel mounting strap
- Shallow design for maximum wiring room in box
- Convenient washer-type break-off plaster ears for best flush alignment
- Captive mounting screws for fast installation
- Break-off tabs on duplex receptacles for easy two-circuit conversion

### TESTING & CODE COMPLIANCE

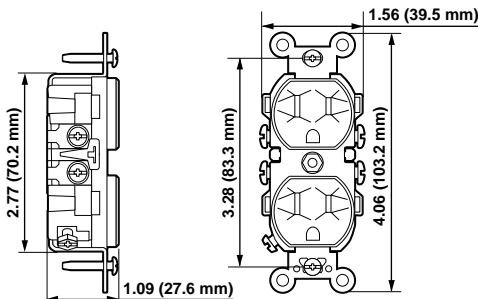
- UL Listed 498
- CSA Certified where applicable (File #LR-406)
- NOM Certified (#057)
- Meets or exceeds NEMA WD-1, & 6, and ANSI standards
- Backed by a Limited 10-Year Warranty

### \*COLOR

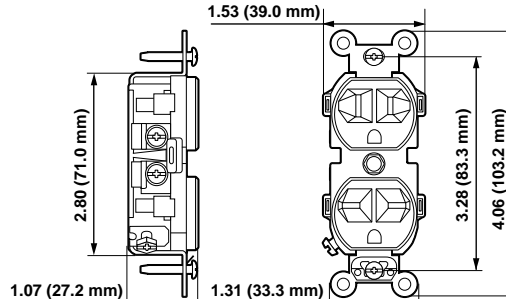
Basic Cat. Nos. shown above denote Brown color. For other color selections, add the suffix to catalog number as follows: Ivory (-I), White (-W), Black (-E), Almond (-A), Gray (-GY).

### MATERIAL CHARACTERISTICS

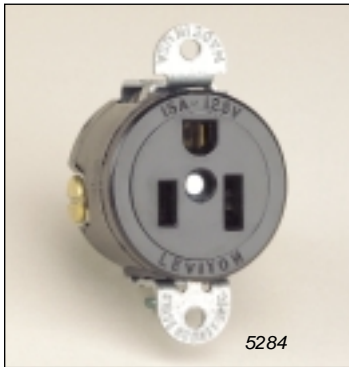
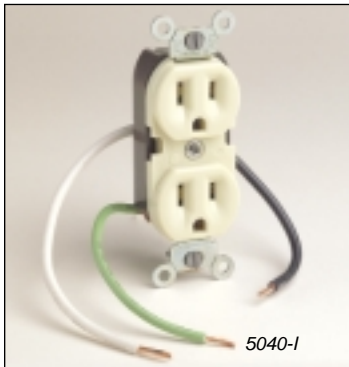
Environmental: Flammability, Rated V2  
Operating Temperature: From -40° C (without impact) to 60° C maximum continuous



BACK & SIDE WIRED  
Cat. No. BR15



DUAL VOLTAGE  
Cat. No. 5031



Side Wired 15 AMP 125 and 250V  
20 AMP 125 and 250V (Basic Cat. No. Denotes Brown Device\*)

DESCRIPTION	CAT. NO./COLOR 15A/125V	CAT. NO./COLOR 15A/250V	CAT. NO./COLOR 20A/125V	CAT. NO./COLOR 20A/250V
	5-15R	6-15R	5-20R	6-20R
Duplex Receptacle	CR15 I, W, GY, E, A	5028* I	CR20 I, W, GY, E, A	5822* I, W
Duplex Receptacle	CR15-C*	—	—	—
Duplex Receptacle, Smooth Face	CRO15 I, W, GY	—	CRO20 I, W, GY	—
Single Display Receptacle, Brass Plate, Brass Finish	5250 Brass	—	—	—
Duplex Receptacle, on 4" Cover*	5042 Zinc plated steel	—	—	—
Single Receptacle	5015 I, W	5029 I, W	5801 I, W	5821 I, W, A
Single Receptacle on 4" Cover	5059 Zinc plated steel	—	—	—
Duplex Receptacle with Pigtail Leads*	5040 I	—	5340 I	—
Floorbox assembly w/Solid Brass Floorplate	5249-FBA Brass	—	—	—
Floorbox Plug	5249-CAP Brass	—	—	—
Display Receptacle w/Solid Brass Plate	5250 Brass	—	—	—
Single Receptacle, Short Strap, 8-32 Tapped Mounting Holes on 1 3/4" Centers	5258-SS E Only	5658-SS E Only	—	5458-SS E Only
Single Receptacle, Short Strap, 8-32 Tapped Mounting Holes on 1 5/16" Centers	5284-SS E Only	—	—	—
Duplex Receptacle, Less Plaster Ears	—	—	5800-4 I	—
Tamper Resistant Duplex Receptacle	CR15S-G I, W (No Brown)	—	—	—

### SPECIFICATIONS & FEATURES

- Large-head terminal screws, backed out and staked, accept No. 10 copper or copper-clad wire
- All power contacts are triple wipe for maximum conductivity and plug retention — except CR series
- Heavy-gauge, rust-resistant steel mounting strap
- Shallow design for maximum wiring room in box
- Convenient washer-type break-off plaster ears for best flush alignment
- Captive mounting screws for fast installation where applicable

### 5249-FBA & 5250

- Complies with NEC 370-27(b)
- All-in-one, ready-to-wire unit provides quick, easy installation
- Plate gasket and O-ring combine to seal out moisture and contaminants (5249-FBA)
- Thick brass plate and screw cap resist abuse and prevent contaminant from entering device
- Durable nylon face and body resist breakage
- Brass screw cap threaded to fit flush to plate
- Green grounding screw

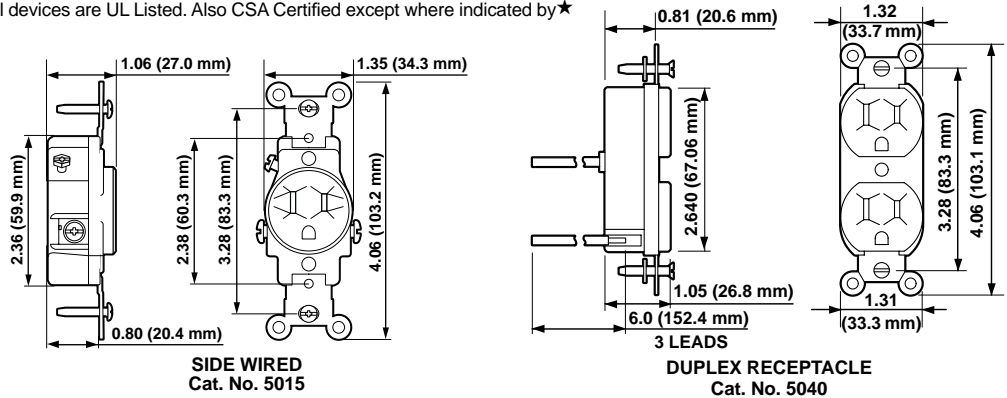
### TESTING & CODE COMPLIANCE

- UL Listed 498 (File #E-13399)
  - CSA Certified where applicable (File #LR-406)
  - NOM Certified (#057)
  - Meets or exceeds NEMA WD-1, and -6, and ANSI standards
  - Backed by a Limited 10-Year Warranty
- 5249-FBA & 5250**
- Meets UL #498 requirements
  - CSA Certified (#42)

### \*COLOR

Basic Cat. Nos. shown above denote Brown color device. For other color selections, add suffix to the catalog number as follows: Ivory (-I), White (-W), Almond (-A), Gray (-GY) and Black (-E).

\*Canadian version  
All devices are UL Listed. Also CSA Certified except where indicated by\*



### MATERIAL CHARACTERISTICS

Environmental: Flammability, Rated V2  
Operating Temperature: From -40° C (without impact) to 60° C maximum continuous



### QuickPort® Snap-In Jacks and Modules with Brass Floorplate

DESCRIPTION	CAT. NO.	COLOR
Floor Jack Housing with Brass Plate and 6-Conductor Jack	41650-6	Brass
Floor Jack Housing with Brass Plate and Coaxial F-Connector	41650	Brass
Duplex Floor Jack Housing with Brass Plate and Two 6-Conductor Jacks	41652-6	Brass
Duplex Floor Jack Housing with Brass Plate, 6-Conductor Jack and Coaxial F-Connector	41652-6F	Brass
Duplex Floor Jack Housing only; 1 Blank Filter Provided	41652-000	Brass



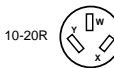
### Back and Side Wired 15 AMP 277V AC Grounding

DESCRIPTION	CAT. NO.	COLOR*
Duplex Receptacle (Double Wipe)	5585	Brown Only

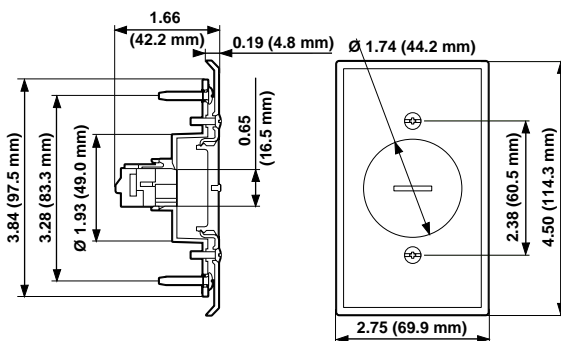


### Side Wired 20 AMP 125/250V Non-Grounding

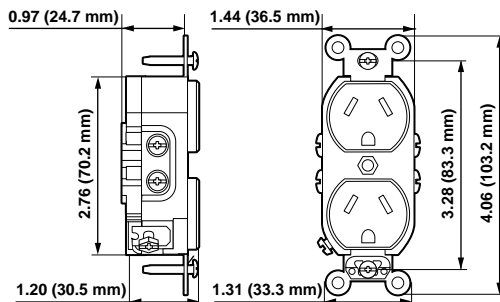
DESCRIPTION	CAT. NO.	COLOR*
Single Receptacle (Double Wipe)★ (9151-N matching plug on page H4)	5032	I



All devices are UL Listed. Also CSA Certified except where indicated by★



FLOORPLATE QUICKPORT® SNAP-IN JACKS & MODULES  
Cat. No. 41652-6F



BACK & SIDE WIRED  
Cat. No. 5585

### SPECIFICATIONS & FEATURES

- Terminal screws, backed out and staked, accept No. 10 copper or copper-clad wire
- Power contacts are double wipe for maximum conductivity and plug retention
- Heavy gauge, rust-resistant steel mounting strap
- Shallow design for maximum wiring room in box
- Convenient washer-type break-off plaster ears for best flush alignment
- Captive mounting screws for fast installation

### TESTING & CODE COMPLIANCE

- UL Listed 498
- CSA Certified where applicable (File #LR-406)
- NOM Certified (#057)
- Meets or exceeds NEMA WD-1 and -6, and ANSI standards
- Backed by a Limited 10-Year Warranty

### \*COLOR

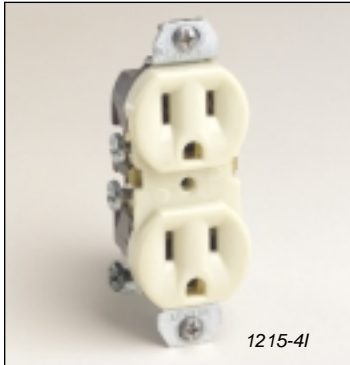
Basic Cat. Nos. shown above denote Brown color. For other color selections, add the suffix to catalog number as follows: Ivory (-I), Black (-E).

### MATERIAL CHARACTERISTICS

Environmental: Flammability, Rated V2  
Operating Temperature: From -40° C (without impact) to 60° C maximum continuous



5248-WCP



1215-4I

### SPECIFICATIONS & FEATURES

- Terminal screws accept up to No. 10 copper or copper-clad wire
- Quickwire push-in terminals accept No. 14 solid copper wire only
- Double-wipe power contacts for maximum conductivity and plug retention
- Heavy-gauge, rust-resistant steel mounting strap
- Shallow design for maximum wiring room
- Break-off plaster ears for best flush alignment
- Captive mounting screws
- Break-off tabs allow easy two-circuit conversion

### TESTING & CODE COMPLIANCE

- UL Listed 498
- CSA Certified where applicable (File #LR-406)
- NOM Certified (#057)
- Meets or exceeds NEMA standards
- Backed by a Limited Two Year Warranty
- CO/ALR UL Listed 1561

### \*COLOR

Basic Cat. Nos. shown above denote Brown color. For other color selections, add the suffix to catalog number as follows: Ivory (-I), White (-W), Almond (-A).

### MATERIAL CHARACTERISTICS

Environmental: Flammability, Rated V2  
 Operating Temperature: From -40° C (without impact) to 60° C maximum continuous

### 8-Hole Quickwire Push-In 15 AMP 125V Grounding

DESCRIPTION	CAT. NO.	COLOR* <small>Basic Cat. No. Denotes Brown</small>
Duplex Receptacle, CONTRACTOR PACK (10 BULK)	5248-CP	I, W
	5-15R	
Duplex Receptacle, Less Plaster Ears (200 BULK)	5248-4	I, W

### Quickwire Push-In and Side Wired 15 AMP 125V Grounding

DESCRIPTION	CAT. NO.	COLOR* <small>Basic Cat. No. Denotes Brown</small>
Duplex Receptacle, All Screws Backed Out*, CONTRACTOR PACK (10 BULK)	5320-CP	I, W, A
Duplex Receptacle, Self-Grounding	5320-S	I, W
Duplex Receptacle, All Screws Backed Out*, CONTRACTOR PACK (10 BULK)	5320-6	I, W

### Side Wired 15 AMP 125V Grounding

DESCRIPTION	CAT. NO.	COLOR* <small>Basic Cat. No. Denotes Brown</small>
Duplex Receptacle, Less Plaster Ears*, All Screws Backed Out	1215-4	I, W
Duplex Receptacle with Ears, All Screws Backed Out	1215-CP	I, W
Duplex Receptacle, on 4" Cover*	1228	Brown Only

CONTRACTOR PACK is a box of 10 bulk-packed devices (no individual packaging) for speedy on-the-job installation.

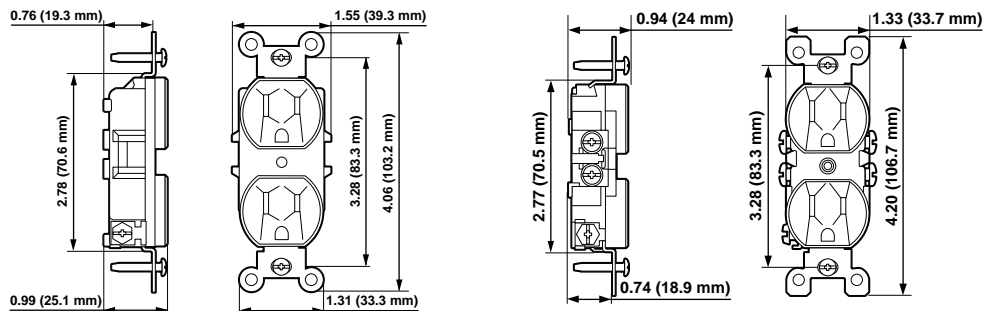


### Side Wired CO/ALR 15 AMP 125V Grounding


DESCRIPTION	CAT. NO.	COLOR* <small>No Brown</small>
Duplex Receptacle	12650	I, W
	5-15R	

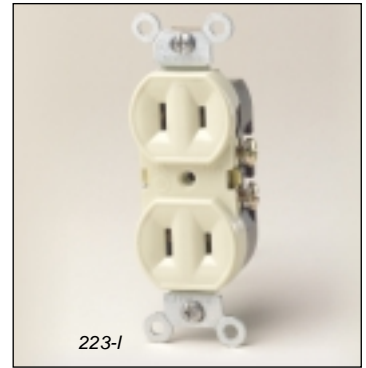
**Note:** UL Listed for direct connection to No. 12 or No. 10 aluminum conductors.

All devices are UL Listed. Also CSA Certified except where indicated by\*







### Side Wired 15 AMP/125V Non-Grounding

DESCRIPTION	CAT. NO.	COLOR*
Duplex Receptacle, ★ Plaster Ears	223	I, W
Duplex Receptacle, ★ Less Plaster Ears	222	I
	1-15R 	
Duplex Receptacle T-SLOT, ★ not UL Listed; for replacement use only	5000	I



### Snap-In Devices 15 AMP/125V

DESCRIPTION	CAT. NO.	PANEL THICKNESS (inches)	PANEL OPENING (inches)	COLOR*
2-Wire Polarized Outlet. Leads No. 14 AWG, 105°C Plastic, 6" Long, Stripped 1/2"	1306	.028 -.060	.097 -.052	E, W
	1-15R 			
2-Wire Polarized Outlet. Back Strap Mounting, Leads No. 14 AWG, 105°C Plastic, 6" Long, Stripped 1/2"	306	.015 -.093	.097 -.052	E, W
	1-15R 			
3-Wire Grounding Outlet. Leads No. 14 AWG, 105°C Plastic, 6" Long, Stripped 1/2". Grounding Wire No. 16 AWG	1374	.031 -.080*	.095 -.095	E, W
	5-15R 			
3-Wire Grounding Power Plug. Leads No. 14 AWG, 105°C Plastic, 6" Long, Stripped 1/2". Grounding Wire No. 16 AWG	1373	.031 -.080	.095 -.095	E
	5-15P 			

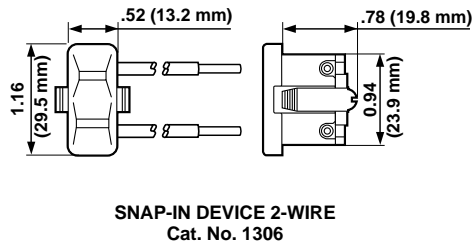
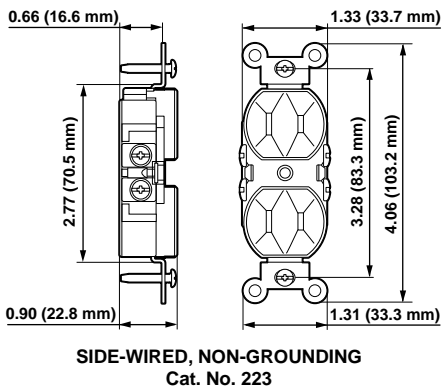


\*Other panel thicknesses available.

### Side Wired Clock Hanger 15 AMP/125V Grounding

DESCRIPTION	CAT. NO.	COLOR*
Flush Mount with Square Recess	688	I, W
	5-15R 	

All devices are UL Listed. Also CSA Certified except where indicated by ★



### SPECIFICATIONS & FEATURES

#### 223-I & 5000

- Terminal screws accept up to No. 10 copper or copper-clad wire for side wiring
- Double-ridge power contacts for maximum conductivity and plug retention
- Heavy-gauge, rust-resistant steel mounting strap
- Shallow design for maximum wiring room
- Break-off plaster ears for best flush alignment
- Captive mounting screws
- Break-off tabs allow easy two-circuit conversion

### TESTING & CODE COMPLIANCE

- UL Listed 498
- CSA Certified where applicable (File #LR-406)
- NOM Certified (#057)
- Meets or exceeds NEMA standards
- Backed by a Limited Two-Year Warranty

### \*COLOR

Basic Cat. Nos. shown above denote Brown color. For other color selections, add the suffix to catalog number as follows: Ivory (-I), White (-W), Black (-E).

### MATERIAL CHARACTERISTICS

Environmental: Flammability, Rated V2  
Operating Temperature: From -40°C (without impact) to 60°C maximum continuous

### Snap-In Devices

Environmental: Flammability, Rated V2  
Operating Temperature: From -40°C (without impact) to 65°C maximum continuous