



6599-W



5299-W

### SPECIFICATIONS & FEATURES

#### Receptacles

- Trip threshold meets or exceeds UL requirements for tripping time
- Impact-resistant thermoplastic cover and body
- Silver alloy contacts
- Compatible with all Decora devices; supplied with Decora wallplate; available in selected Decora colors

#### Combination Switch/GFCI

- Ideal for kitchens, bathrooms, modular kitchen units, bathroom cabinet fixtures, lamp cabinet fixtures and applications where combination devices are used.

### TESTING & CODE COMPLIANCE

- UL Standard 943 Class A (GFCI) and 498 (receptacles)
- UL Listed (File #48380)
- Meets ANSI C73, NEMA WD-1 requirements for duplex receptacles
- CSA Certified (LR-57811)
- Backed by a Limited Two-Year Warranty

#### \*COLOR

Basic Cat. Nos. shown above denote Brown color. For other color selections, add the suffix to catalog number as follows: Ivory (-I), White (-W), Gray (-GY), Red (-R), Black (-E), Almond (-A).

### MATERIAL CHARACTERISTICS

Flammability: Rated V2  
Operating Temperature: -30°F (-35°C) to 151°F (66°C)

## Hospital Grade GFCI Receptacles — Back and Side Wired

15 AMP 125V at Receptacle; 20 AMP 125V Feed-Through

DESCRIPTION	CAT. NO.	COLOR*	NEMA CONFIG.
Duplex Receptacle with LED Indicator Light	6598-HG	I, W, GY, R <small>Basic Cat. No. Denotes Brown</small>	5-15R

20 AMP 125V at Receptacle and Feed-Through

DESCRIPTION	CAT. NO.	COLOR*	NEMA CONFIG.
Duplex Receptacle with LED Indicator Light	6898-HG	I, W, GY, R <small>Basic Cat. No. Denotes Brown</small>	5-20R

## Commercial Grade GFCI Receptacles — Back and Side Wired

15 AMP 125V at Receptacle; 20 AMP 125V Feed-Through

DESCRIPTION	CAT. NO.	COLOR*	NEMA CONFIG.
No Indicator Light	6599	I, W, GY, E, A <small>Basic Cat. No. Denotes Brown</small>	
Duplex Receptacle with LED Indicator Light	6598	I, W	5-15R
With 4 1/2" Leads*	6599-L	I, W	
Buttons match face color	6599-A	I, W, A	

20 AMP 125V at Receptacle and Feed-Through

DESCRIPTION	CAT. NO.	COLOR*	NEMA CONFIG.
No Indicator Light	6899	I, W, GY <small>Basic Cat. No. Denotes Brown</small>	
Duplex Receptacle with LED Indicator Light	6898	I, W	5-20R
Buttons match face color	6899-A	I, W, A	

Switch-Rated GFCI - Back and Side Wired 20 AMP 125V Switch-Rated; Switch Rating 1.5 HP @ 120V

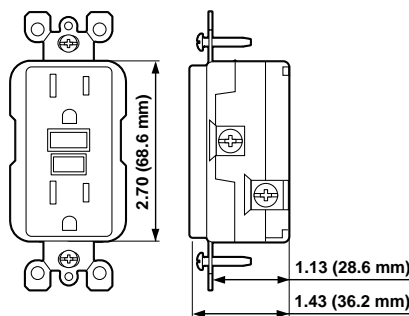
DESCRIPTION	CAT. NO.	COLOR*
Blank Face GFCI, No Indicator Light	6490	I, W, E <small>Basic Cat. No. Denotes Brown</small>

## Combination Switch GFCI Outlet — Side Wired

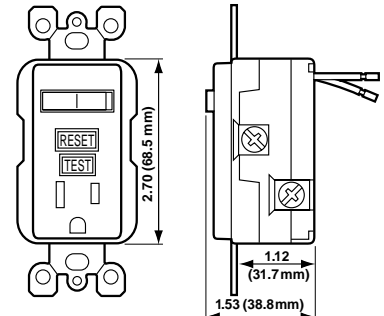
Switch 1000W 125V AC; Outlet 15 AMP 125V; Feed-Through 20AMP 125V

DESCRIPTION	CAT. NO.	COLOR*
Single-Pole Switch & GFCI Protected Outlet	5299	I, W <small>Basic Cat. No. Denotes Brown</small>

All devices are UL Listed. Also CSA Certified except where indicated by\*



COMMERCIAL GRADE GFCI RECEPTACLE  
Cat No. 6599





COMBINATION SWITCH GFCI OUTLET  
Cat No. 5299

### High Current GFCI — Back and Side Wired

DESCRIPTION	CAT. NO.	COLOR* <i>No Brown</i>
<b>High Current GFCI★</b>	6895	I, W, E

**Note:** The 6895 is wired in conjunction with a switching contactor or relay supplied by the customer. Each 6895 and contactor combination MUST be reviewed and approved by UL. Contact our company, for list of combinations approved to date.

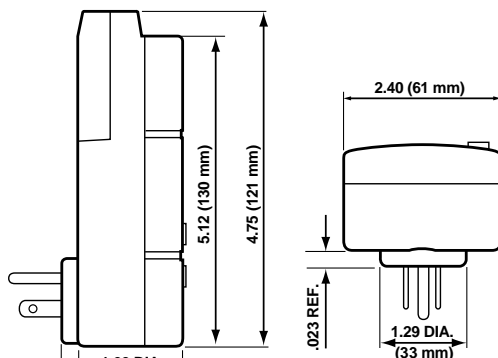
### Right Angle GFCI Plug

DESCRIPTION	CAT. NO.	COLOR* <i>No Brown</i>	NEMA CONFIG.
Rated 15A-125V, Automatic Reset	6593	E	5-15P 
Rated 15A-125V, Manual Reset	6594	Yellow	
Rated 20A-125V, Automatic Reset	6893	E	5-20P 
Rated 20A-125V, Manual Reset	6894	Yellow	
Waterproof Cover for Right Angle GFCI Plugs with ground pin up orientation	86593	Clear	

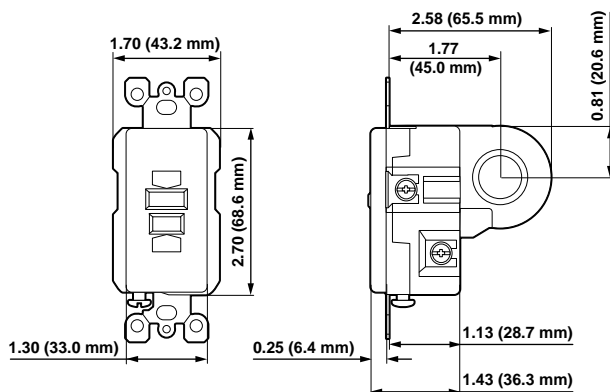
### GFCI Wallbox Extender

DESCRIPTION	CAT. NO.	COLOR* <i>Basic Cat. No. Denotes Brown</i>
Shallow Wallbox extender for GFCI	6197	I, W

All devices are UL Listed. Also CSA Certified except where indicated by★



**RIGHT ANGLE GFCI PLUG**  
Cat. No. 6593



**HIGH CURRENT GFCI**  
Cat. No. 6895

#### SPECIFICATIONS & FEATURES

##### General/Receptacles

- Trip threshold meets or exceeds UL requirements for tripping time
- Impact-resistant thermoplastic cover and body.
- Silver alloy contacts
- Compatible with all Decora devices

##### High Current GFCI

- Adds ground fault protection to heavy equipment powered through 3-and 4-wire circuits grounded with neutral
- Contact rating at GFCI: 20A 125V; load capability with 125V control relay 50 @ 240V max.
- Test and Reset buttons confirm proper operation
- Ideal for use with spas, heater packs, high pressure washers, industrial mixers and other equipment

##### Right Angle GFCI Plug

- May be pre-wired to cable of any specified length
- Wiring module accepts No. 18 (.300") thru No. 12 (.607") cord sizes
- Power indicator light goes off if GFCI trips or unit is unplugged

#### TESTING & CODE COMPLIANCE

- UL Standard 943 Class A (GFCI) and 498 (receptacles)
- UL Listed (File #48380)
- CSA Certified (LR-57811)
- Backed by a Limited One-Year Warranty

#### \*COLOR

Basic Cat. Nos. shown above denote Brown color. For other color selections, add the suffix to catalog number as follows: Ivory (-I), White (-W), Black (-E).

#### MATERIAL CHARACTERISTICS

Flammability: Rated V2

Operating Temperature: -30°F (-35°C) to 151°F (66°C)



### Automatic Reset GFCI Cord Sets† and Extension Cord — Black Body

DESCRIPTION	CAT. NO.	LENGTH	NEMA CONFIG.
15A-125V GFCI Cord Set	66591-2C	2 feet	
15A-125V GFCI Cord Set	66591-6C	6 feet	5-15P  5-15R
15A-125V GFCI Cord Set	66591-25C	25 feet	
15A-125V GFCI Cord Set, Triple Outlet	66593-3	3 feet	
15A-125V Locking GFCI Cord Set	66597-3	3 feet	L5-15P  L5-15R
20A-125V GFCI Cord Set	66891-3	3 feet	5-20P  5-20R
20A-125V Locking GFCI Cord Set	66897-3	3 feet	L5-20P  L5-20R
15A-125V GFCI Extension Cord*	26591-37C	37 feet	5-15P  No Connector
15A-240V GFCI Extension Cord*	26592-E	35 feet	6-15P  No Connector
20A-125V GFCI Extension Cord*	36591-37C	37 feet	5-20P  No Connector
20A-240V GFCI Extension Cord*	36592-E	35 feet	6-20P  No Connector

#### SPECIFICATIONS & FEATURES

- Trip threshold meets or exceeds UL requirements for tripping time
- Impact-resistant thermoplastic cover and body.
- Silver alloy contacts
- Water-resistant enclosure is sealed by ultrasonic welding

#### Cord Sets/Extension Cord

- Water-resistant enclosure sealed by ultrasonic welding
- Power indicator light goes off if GFCI trips or unit is unplugged

#### TESTING & CODE COMPLIANCE

- UL Standard 943 Class A (GFCI)
- UL Listed (File #48380)
- Backed by a Limited One-Year Warranty

#### MATERIAL CHARACTERISTICS

Flammability: Rated V2  
 Operating Temperature: -30°F (-35°C) to 151°F (66°C)

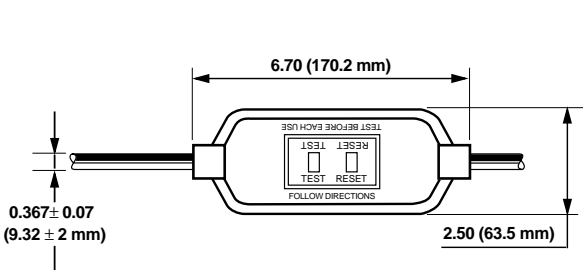
### Manual Reset GFCI Cord Sets — High Visibility Yellow Body

DESCRIPTION	CAT. NO.	LENGTH	NEMA CONFIG.
15A-125V	69591-3	3 feet	
15A-125V	69591-25	25 feet	5-15P  5-15R
Triple-tap, 15A-125V	69593-3	3 feet	
20A-125V	69891-3	3 feet	5-20P  5-20R
20A-125V, Locking★	69897-3	3 feet	L5-20P  L5-20R
15A-125V, w/Wetguard™ Plugs and Connectors	69591-W3	3 feet	
15A-125V, w/Wetguard™ Plugs and Connectors	69591-W25	25 feet	5-15P  5-15R
20A-125V, w/Wetguard™ Plugs and Connectors★	69891-W3	3 feet	5-20P  5-20R

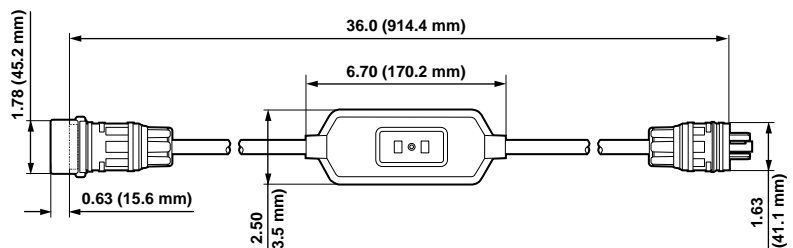
†Automatic reset GFCI cord sets (black body) automatically reset ON when power is restored. Manual reset units (yellow body) will not automatically reset after power interruption; the reset button must be pushed in.

\*UL recognized component

All devices are UL Listed. Also CSA Certified except where indicated by★



15A AUTO GFCI CORD  
 Cat. No. 66591-2C



MANUAL RESET GFCI CORD  
 Cat. No. 69897-3

### GFCI Accessories

#### Single Gang Flush Cover Wallplates — Gray Finish

MOUNTING POSITION & DESCRIPTION	CAT. NO.	FITS TYPE OF BOX
Vertical — Die-Cast Zinc	6196-V	Standard
Horizontal — Die-Cast Zinc	6196	Standard
Vertical — Die-Cast Zinc	6196-VFS	FS (Four Screws)
Horizontal — Die-Cast Zinc	6196-FS	FS (Four Screws)
Horizontal — Die-Cast Zinc	4990	Standard
Vertical — Die-Cast Zinc★	4992	Standard
Horizontal — Plastic	4996	Standard
Vertical — Plastic	4998	Standard

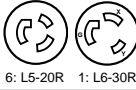
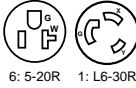
#### Raintight While-In-Use Covers

DESCRIPTION	CAT. NO.	COLOR
GFCI, Vertical Mount	5977-GY	Gray
GFCI, Vertical Mount w/Extra Deep Cover	5977-DGY	Gray
GFCI, Vertical Mount	5977-CL	Clear
GFCI, Vertical Mount w/Extra Deep Cover	5977-DCL	Clear
GFCI, Horizontal Mount	5997-GY	Gray
GFCI, Horizontal Mount w/Extra Deep Cover	5997-DGY	Gray
GFCI, Horizontal Mount	5997-CL	Clear
GFCI, Horizontal Mount w/Extra Deep Cover	5997-DCL	Clear

### GFCI Circuit Tester 15/20A 125V AC

DESCRIPTION	CAT. NO.
GFCI Circuit Tester	6185
GFCI Circuit Tester Carrying Case	6182

### Temporary Portable Power Distribution Center/GFCI (The Box)

DESCRIPTION	CAT. NO.	INLET	OUTLET	NEMA CONFIG.
Power Distribution Box, 6 GFCI-Protected 20A/125V Locking Receptacles; 1 Locking Receptacle 30A/250V*	PB101	50A, 125/250V†	50A, 125/250V†	 6: L5-20R 1: L6-30R
Power Distribution Box, 6 GFCI-Protected 20A/125V Straight Blade Receptacles; 1 Locking Receptacle 30A/125V*	PB103	50A, 125/250V†	50A, 125/250V†	 6: 5-20R 1: L6-30R

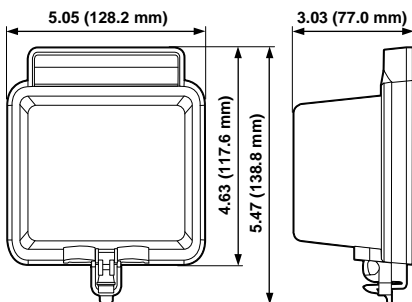
### Power Cords

DESCRIPTION	CAT. NO.
50 ft. Temporary Power Cord w/Weather-Resistant 50A, 125/250 Plug & Connector	PSC-050
100 ft. Temporary Power Cord w/Weather-Resistant 50A, 125/250 Plug & Connector	PSC-100

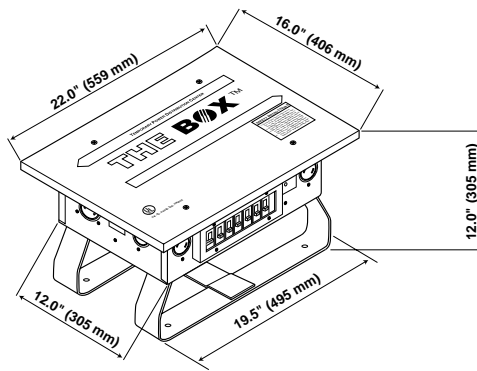
\*Non-GFCI-protected

†"California Style" CS locking devices are non-NEMA

All devices are UL Listed. Also CSA Certified except where indicated by★



RAINTIGHT WHILE-IN-USE COVER  
Cat. No. 5997-CL



"THE BOX" POWER DISTRIBUTION CENTER  
Cat. No. PB101



5977-CL



6185

### SPECIFICATIONS & FEATURES

#### The Box

- For temporary use in industrial & commercial maintenance & repair stations (construction, entertainment, amusement halls) where portable power is needed
- Weatherproof covers prevent nuisance tripping; prevent moisture from entering contacts
- Clear port hole panel for circuit breaker viewing
- Reinforced metal housing & legs withstand abuse

#### Power Cords

- Flexible, abrasion-resistant construction for reliable performance to -31°F

### TESTING & CODE COMPLIANCE

- Raintight covers satisfy NEC Article 410-57(b) requirements
- Raintight covers are rated NEMA 3R

#### The Box

- Meets OSHA Regulation 20, Part 1926, Subpart K for open-neutral GFCI & circuit overload protection
- UL Listed for outdoor use
- Backed by a Limited One-Year Warranty

#### Power Cords

- UL Listed (File #E-48380)