



930



931

### 30 AMP/50 AMP Dual Power Attachment Plugs

#### 30 AMP 125V/50 AMP 125V Grounding

DESCRIPTION	CAT. NO.	COLOR	CORD DIA. (inches)	WIRE GAUGE (stranded)	NEMA CONFIG.
<b>Dual-Power Vinyl Angle Plug, Interchangeable Blades</b>	930	Black	.630-1.050	6 max.	5-30P
					5-50P

#### 30 AMP 250V/50 AMP 250V Grounding

DESCRIPTION	CAT. NO.	COLOR	CORD DIA. (inches)	WIRE GAUGE (stranded)	NEMA CONFIG.
<b>Dual-Power Vinyl Angle Plug, Interchangeable Blades</b>	931	Black	.630-1.050	6 max.	6-30P
					6-50P

#### 30 AMP 125/250V/50 AMP 125/250V Non-Grounding

DESCRIPTION	CAT. NO.	COLOR	CORD DIA. (inches)	WIRE GAUGE (stranded)	NEMA CONFIG.
<b>Dual-Power Vinyl Angle Plug, Interchangeable Blades</b>	287-T	Black	.687-1.050	6 max.	10-30P
					10-50P

#### 30 AMP 125/250V/50 AMP 125/250V Grounding

DESCRIPTION	CAT. NO.	COLOR	CORD DIA. (inches)	WIRE GAUGE (stranded)	NEMA CONFIG.
<b>Dual-Power Vinyl Angle Plug, Interchangeable Blades</b>	275-T	Black	.750-1.125	6 max.	14-30P
					14-50P

#### 30 AMP 125V 2-Pole 3-Wire Grounding

DESCRIPTION	CAT. NO.	COLOR	CORD DIA. (inches)	WIRE GAUGE (stranded)	NEMA CONFIG.
<b>Travel Trailer Vinyl Angle Plug, for use with 7313 Receptacle</b>	830-T	Black	.687-.875	6 max.	ANSI Std. C73.13 TT-30P

All devices are UL Listed and CSA Certified.

#### SPECIFICATIONS & FEATURES

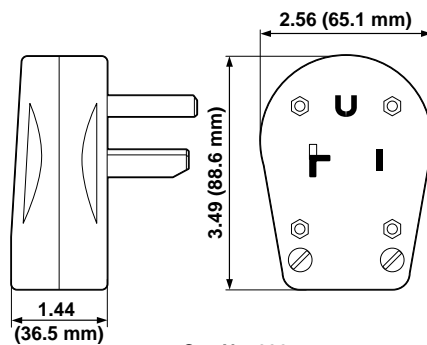
- Tough thermoplastic shell for long life
- Shell and bottom are hinged in front for ease of assembly
- Solid brass blades with color-coded terminals simplify wiring
- Each dual combination plug supplied with 30A blades and flat 50A blade
- Dead front right angle construction
- Interchangeable blades eliminate need for stocking different devices
- Built-in rejection feature prevents closure if blades are incorrectly positioned
- Versatile cord clamp suitable for use with Nos. 14, 12, 10, 8 and 6 AWG round cord and Nos. 10/3 SRDT, 8/2-10/1 SRDT and 6/2-8/1 flat wire
- Wiring stripping gauge molded into plug cover

#### TESTING & CODE COMPLIANCE

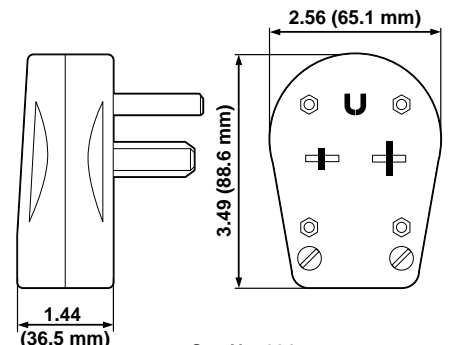
- Meet NEMA requirements
- UL Listed (File #13393)
- CSA Certified (File #LR-406)
- NOM Certified (File #057)
- Backed by a Limited 10-Year Warranty

#### MATERIAL CHARACTERISTICS

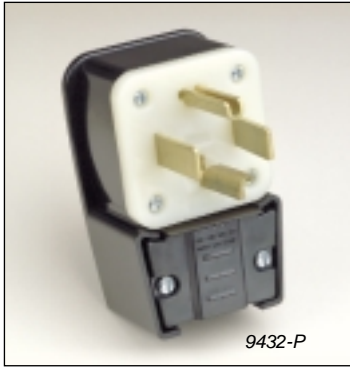
Environmental: Flammability, Rated V2 per UL 94  
Operating Temperature: -40°C to 65°C



Cat. No. 930



Cat. No. 931



### 30 AMP Nylon Angle Plugs

#### 30 AMP 125V 2-Pole 3-Wire Grounding

DESCRIPTION	CAT. NO.	MATCHING RECEPTACLE	NEMA CONFIG.
Angle Plug	9530-P	5371	5-30P

#### 30 AMP 250V 2-Pole 3-Wire Grounding

Angle Plug	9630-P	5372	6-30P
------------	--------	------	-------

#### 30 AMP 277V 2-Pole 3-Wire Grounding

Angle Plug	9730-P	9730-A	7-30P
------------	--------	--------	-------

#### 30 AMP 125/250V 3-Pole 3-Wire Non-Grounding

Angle Plug	9332-P	5207	10-30P
------------	--------	------	--------

#### 30 AMP 125/250V 3-Pole 4-Wire Grounding

Angle Plug	9432-P	278	14-30P
------------	--------	-----	--------

#### 30 AMP 250V 3-Pole 4-Wire 3-Phase Grounding

Angle Plug	8432-P	8430-A	15-30P
------------	--------	--------	--------

#### 30 AMP 120/208V 4-Pole 4-Wire 3ØY Non-Grounding

Angle Plug	8332-P	8330-A	18-30P
------------	--------	--------	--------

All devices are UL Listed and CSA Certified

#### SPECIFICATIONS & FEATURES

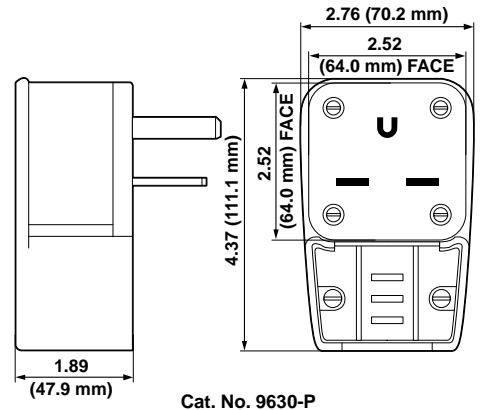
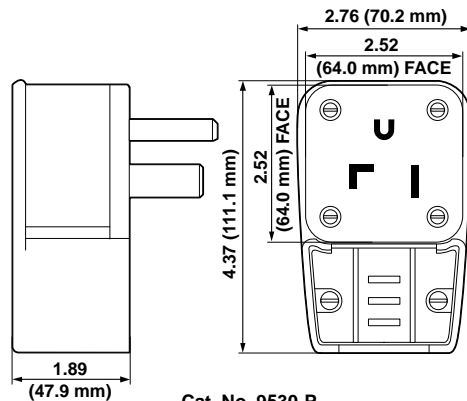
- Rugged cord clamps for secure cable grip that accommodate cord diameters from 5/8" to 1-3/8" and do not tear conductor jacket
- Made of tough, heavy-duty nylon for long service life
- Devices feature heavy-sectioned dead-front right-angle
- Pressure-clamp terminal design
- Terminals accept up to #4AWG stranded conductors
- Four-way positioning front module
- Solid brass blades for maximum conductivity

#### TESTING & CODE COMPLIANCE

- UL Listed (File #13393)
- UL Test 498 (CSA 42)
- CSA Certified (File #LR-406)
- NOM Certified (#057)
- Backed by a Limited Two-Year Warranty


#### MATERIAL CHARACTERISTICS

Environmental: Flammability, Rated V2  
Operating Temperature: -40°C to 65°C




### 50 AMP Nylon Angle Plugs


50 AMP 125V 2-Pole 3-Wire Grounding

DESCRIPTION	CAT. NO.	MATCHING RECEPTACLE	NEMA CONFIG.
Angle Plug	9550-P	5373	5-50P 


50 AMP 250V 2-Pole 3-Wire Grounding

Angle Plug	9650-P	5374	6-50P 
------------	--------	------	--


50 AMP 277V 2-Pole 3-Wire Grounding

Angle Plug	9750-P	9750-A†	7-50P 
------------	--------	---------	--


50 AMP 125/250V 3-Pole 3-Wire Non-Grounding

Angle Plug	9450-P	5206†	10-50P 
------------	--------	-------	---


50 AMP 125/250V 3-Pole 4-Wire Grounding

Angle Plug	9452-P	279	14-50P 
------------	--------	-----	---

50 AMP 250V 3-Pole 4-Wire 3-Phase Grounding

Angle Plug	8452-P	8450-A	15-50P 
------------	--------	--------	---

50 AMP 120/208V 4-Pole 4-Wire 3ØY Non-Grounding

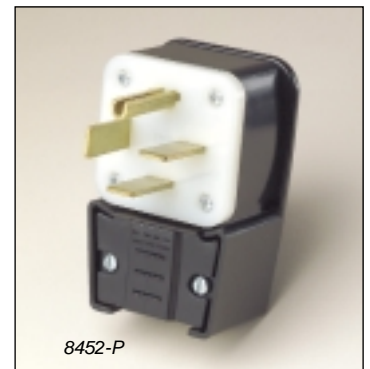
Angle Plug★	8352-P	8350-A	18-50P 
-------------	--------	--------	---

†Matching single gang wallplate: Cat. No. 84028

All devices are UL Listed. Also CSA Certified except where indicated by★



9650-P



8452-P

#### SPECIFICATIONS & FEATURES

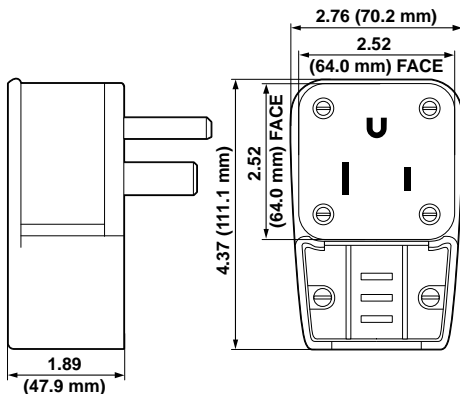
- Rugged cord clamps for secure cable grip that accommodate cord diameters from 5/8" to 1 3/8" and do not tear conductor jacket
- Made of tough, heavy-duty nylon for long service life
- Devices feature heavy-sectioned dead-front right-angle
- Pressure-clamp terminal design
- Terminals accept up to #4AWG stranded conductors
- Four-way positioning front module
- Solid brass blades for maximum conductivity

#### TESTING & CODE COMPLIANCE

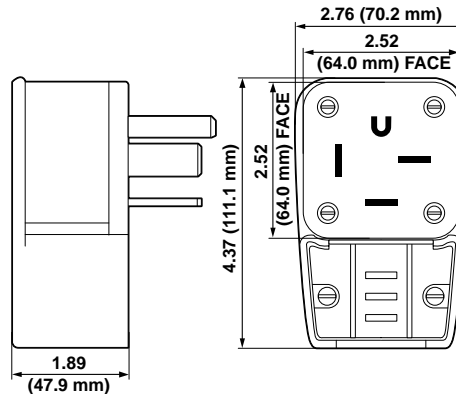
- UL Listed (File #13393)
- UL Test 498 (CSA 42)
- CSA Certified (File #LR-406)
- NOM Certified (#057)
- Backed by a Limited Two-Year Warranty

#### MATERIAL CHARACTERISTICS

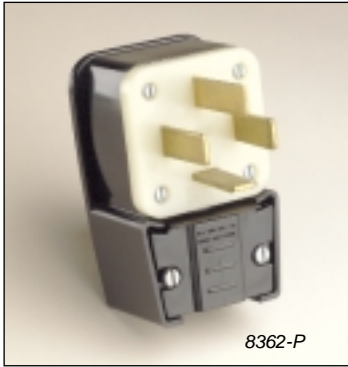
Environmental: Flammability, Rated V2  
Operating Temperature: -40°C to 65°C.



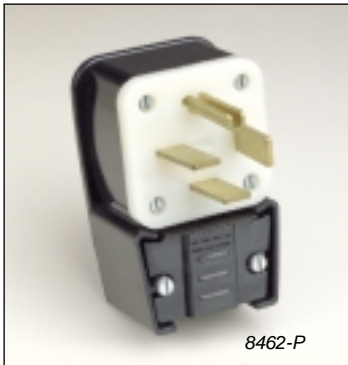
Cat. No. 9650-P



Cat. No. 8452-P




8362-P




8462-P

### 60 AMP Nylon Angle Plugs

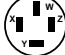
60 AMP 125/250V 3-Pole 4-Wire Grounding

DESCRIPTION	CAT. NO.	MATCHING RECEPTACLE	NEMA CONFIG.
Angle Plug	9462-P	9460-A	14-60P 

60 AMP 250V 3-Pole 4-Wire 3-Phase Grounding

Angle Plug	8462-P	8460-A	15-60P 
------------	--------	--------	--

60 AMP 120/208V 4-Pole 4-Wire 3ØY Non-Grounding

Angle Plug	8362-P	8360-A	18-60P 
------------	--------	--------	--

All devices are UL Listed and CSA Certified.

#### SPECIFICATIONS & FEATURES

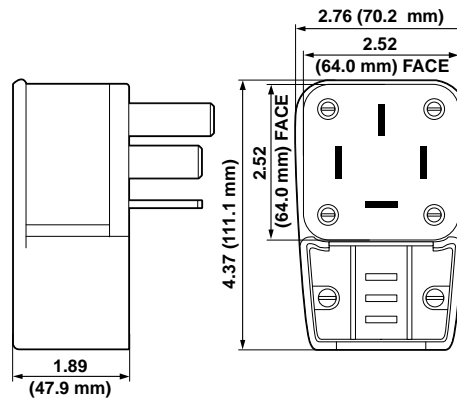
- Rugged cord clamps for secure cable grip that accommodate cord diameters from 5/8" to 1-3/8" and do not tear conductor jacket
- Made of tough, heavy-duty nylon for long service life
- Devices feature heavy-sectioned dead-front right-angle
- Pressure-clamp terminal design
- Terminals accept up to #4AWG stranded conductors
- Four-way positioning front module
- Solid brass blades for maximum conductivity

#### TESTING & CODE COMPLIANCE

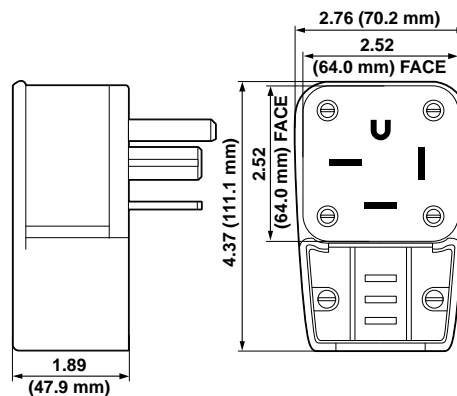
- UL Listed (File #13393)
- UL Test 498 (CSA 42)
- CSA Certified (File #LR-406)
- NOM Certified (#057)
- Backed by a Limited Two-Year Warranty

#### MATERIAL CHARACTERISTICS

Environmental: Flammability, Rated V2  
Operating Temperature: -40°C to 65°C



Cat. No. 8362-P



Cat. No. 8462-P