

Catalog-No. 340-H2

Application and Performance Specifications

Description:

- Line Voltage: 120 vac, + 5%, - 10%, 60Hz
- Low Power Factor
- Preheat Start

Typical Performance Data								
Lamp		Input Current (Amps)	Input Power (Watts)	Power Factor	Ballast Factor	Ballast Efficacy Factor	T.H.D. %	Crest Factor
Type	#							
F25T12	1	0.42	29	< .60	.90	3.10	< 10	< 1.7

Application and Performance Specification Information Subject to Change without Notification.

Performance:

- Designed in accordance with ANSI C82.1
- Compatible with PLC and IR systems
- Reactor type circuit

Safety:

- No PCB's
- UL listed (Class P, Indoor and Type 1 Outdoor, HL)
- CSA Certified

Application:

- Minimum Starting Temperature: 50° F, 10° C
- Maximum Ballast Case Temperature not to exceed 90° C
- Sound Rated: A
- Remote Mounting: 6.1m with minimum 18 AWG
(refer to TechNote # 7b for other wire sizes/lengths)

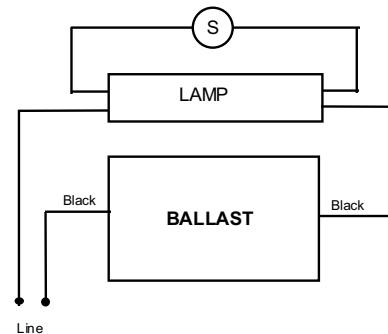
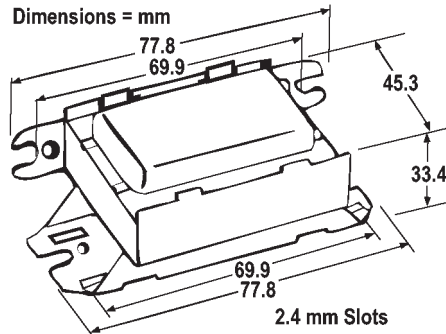
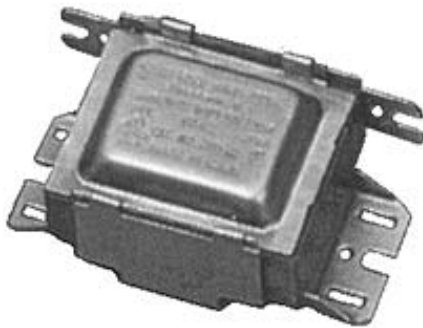
Mechanical:

- Length: 77.8
- Width: 45.3
- Height: 33.4
- Lead Length (± 25.4) :
Black 304.8
Black 558.8
- Weight (net): 328g

Overall

Mounting

Manufactured in North America



Ballast must be grounded. Install in accordance with National Electric Code.