

Catalog-No. 549-H2

Application and Performance Specifications

Description: Electromagnetic ballast for (1) fluorescent lamp as indicated below:

- Line Voltage: 120 vac, + 5%, - 10%, 60Hz
- Preheat Start
- Low Power Factor

Typical Performance Data								
Lamp		Input Current (Amps)	Input Power (Watts)	Power Factor	Ballast Factor	Ballast Efficacy Factor	T.H.D. %	Crest Factor
Type	#							
F6T5	1	0.18	11	< .60	1.00	9.09	< 10	< 1.7
F8T5	1	0.16	10	< .60	1.08	10.80	< 10	< 1.7

Performance:

- Designed in accordance with ANSI C82.1
- Compatible with PLC and IR systems
- Reactor type circuit

Safety:

- No PCB's
- UL listed (Indoor)
- CSA Certified

Application:

- Minimum Starting Temperature: 50° F, 10° C
- Maximum Ballast Case Temperature not to exceed 90° C
- Sound Rated: A
- Remote Mounting: 6.1m with minimum 18 AWG
(refer to TechNote # 7b for other wire sizes/lengths)

Mechanical:

- Length: 77.8
- Width: 45.3
- Height: 33.4
- Lead Length (± 25.4):

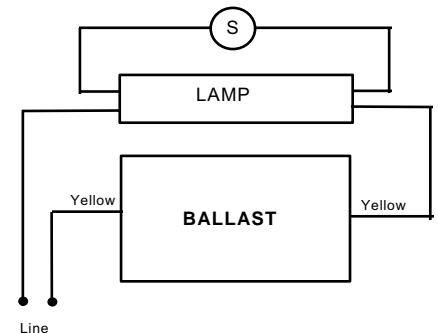
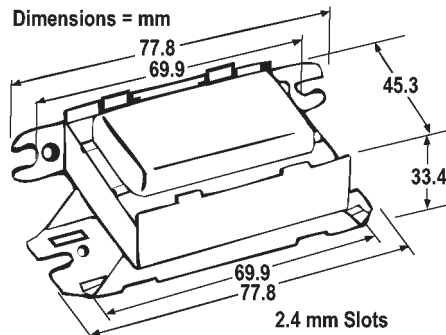
Overall

Mounting

Yellow (2) 304.8

- Weight (net): 316g

Manufactured in North America



Ballast must be grounded. Install in accordance with National Electric Code.