

Industrial Grade

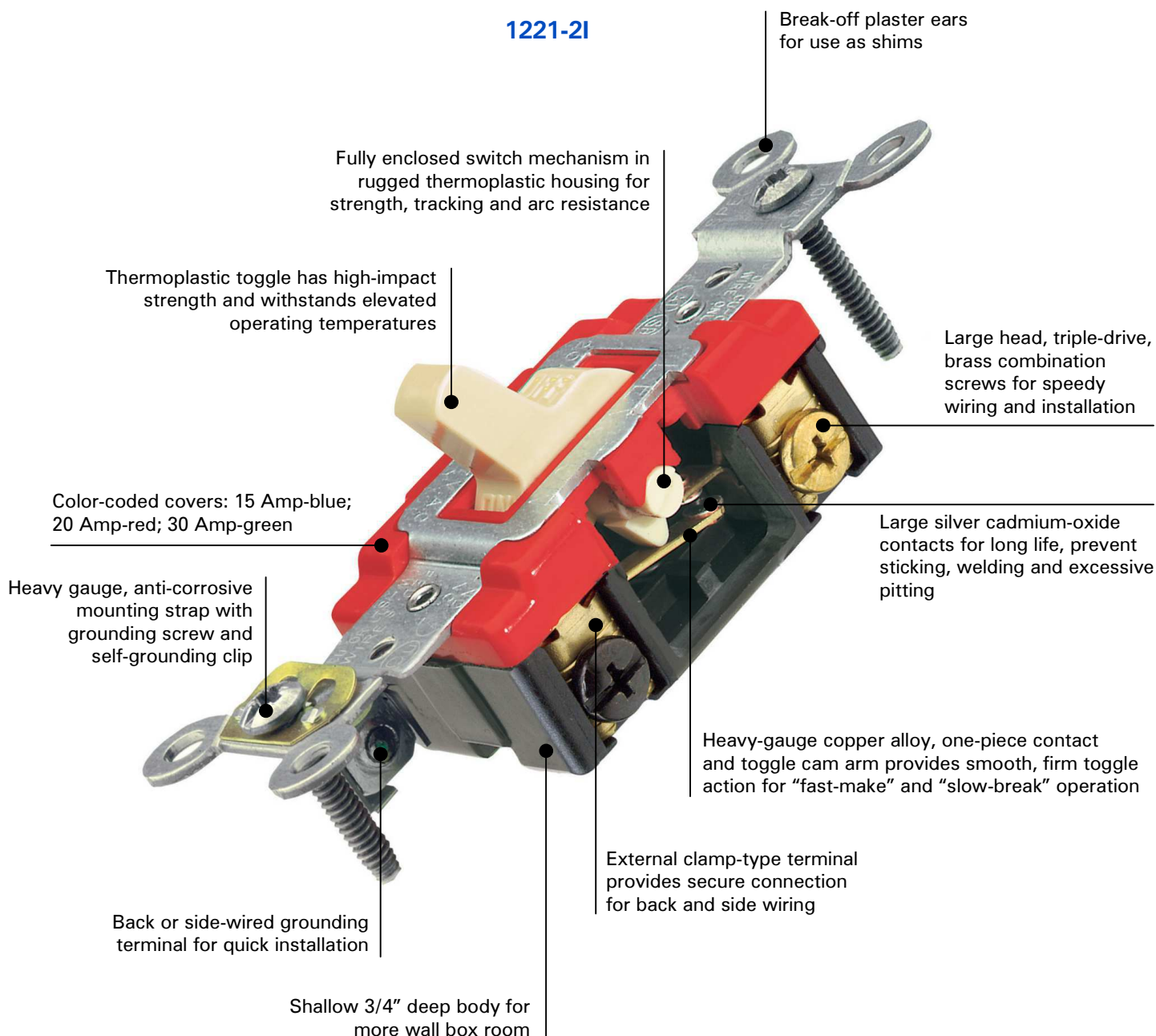
Extra Heavy-Duty Specification Grade Toggle Switches

Industrial Grade AC toggle switches for extra heavy-duty applications represent top-of-the-line quality and peak performance. Manufactured from the finest materials available and the highest production standards to produce industrial switches of unmatched versatility and reliability.

Specifications and Features

- Top-of-the-line industrial quality
- Heavy gauge copper alloy one-piece arm for top performance
- Large silver cadmium-oxide contacts for long life, prevent sticking, welding and excessive pitting
- Color-coded covers: 15 Amp-Blue; 20 Amp-Red; 30 Amp-Green
- Fully enclosed switch mechanism in rugged housing for strength, tracking and arc resistance
- Brass combination-head terminal screws on Extra Heavy-Duty devices, steel combination head terminal screws on other devices
- Self-grounding clip (self-grounding when used with a grounded metal wallbox)

1221-2I



Industrial Grade

Extra Heavy-Duty Specification Grade Toggle Switches

MATERIAL CHARACTERISTICS

- Environmental: Flammability, Rated V2
- Operating Temperature: -40°C to +65°C

ELECTRICAL

- Dielectric Voltage: Withstands 1500V for 1 min.
- Overload UL 20 Test: 100 cycles of overload at 4.8 times rated current
- Temp. Rise: 30°C max at full rated current
- Endurance: UL 20/Fed Spec 50,000 cycles min., tungsten filament lamp load (Fed.Spec.) WS896E, SP, DP, 3-Way, 4-Way, (Pilot Light, Illum., Key Lock, available on special request)

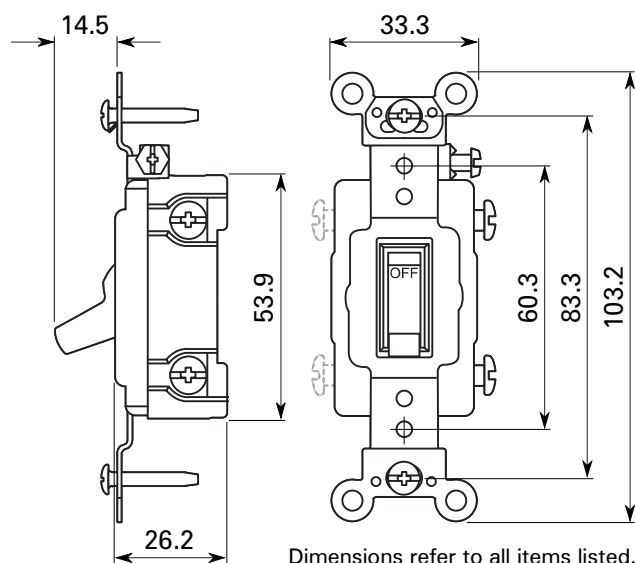
MECHANICAL

- Terminal I.D.: Brass-Hot, Black-Hot, White-Neutral, Green-Grounding
- Terminal Accom.: #14-#10 AWG back wired; #14-#12 AWG side wired
- Product I.D.: Ratings are permanently stamped on device strap
- Torque Range: 12-14 inch pounds

HORSEPOWER

- 15A — 1/2 @ 120V, 2 @ 240V 12 AMP Max
- 20A — 1 @ 120V, 2 @ 240V 16 AMP Max
- 30A — 2 @ 120V, 2 @ 240V 24 AMP Max

DIMENSIONAL DATA



TESTING AND CODE COMPLIANCE

- Meets all NEMA WD 1 & 6, and ANSI requirements
- Meets Federal Specification WS-896
- UL Listed (File #E7458)
- CSA Certified (File #152105)
- NOM Certified (#057)

ORDERING INFORMATION



15 Amp.

Toggle Color	Single-Pole (1x Aus)	Double-Pole (2x Aus)	3-Way (Wechsel)	4-Way (Kreuz)
White	1201-2W	1202-2W	1203-2W	1204-2W
Ivory	1201-2I	1202-2I	1203-2I	1204-2I
Grey	1201-2GY	1202-2GY	1203-2GY	1204-2GY
Brown	1201-2	1202-2	1203-2	1204-2
Red	1201-2R	—	1203-2R	—

20 Amp.

Toggle Color	Single-Pole (1x Aus)	Double-Pole (2x Aus)	3-Way (Wechsel)	4-Way (Kreuz)
White	1221-2W	1222-2W	1223-2W	1224-2W
Ivory	1221-2I	1222-2I	1223-2I	1224-2I
Light Almond	1221-2T	—	1223-2T	1224-2T
Grey	1221-2GY	1222-2GY	1223-2GY	1224-2GY
Black	1221-2E	1222-2E	1223-2E	1224-2E
Brown	1221-2	1222-2	1223-2	1224-2
Red	1221-2R	1222-2R	1223-2R	1224-2R

30 Amp.

Toggle Color	Single-Pole (1x Aus)	Double-Pole (2x Aus)	3-Way (Wechsel)	4-Way (Kreuz)
White	3031-2W	3032-2W	3033-2W	—
Ivory	3031-2I	3032-2I	3033-2I	—
Black	—	3032-2E	—	—
Brown	3031-2	3032-2	3033-2	—
Red	—	3032-2R	—	—