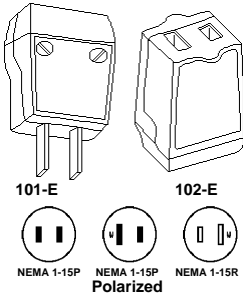


Catalog No. Beschreibung / Description Gramm VPE EDP No.

1333 Plugs and Connectors, 2-Pole 2-Wire NON-Grounding, UL listed, CSA where marked ■

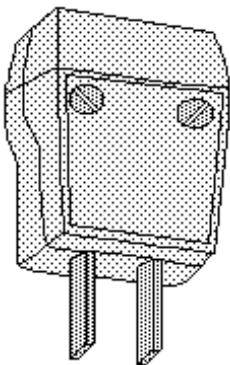


		With Build-In Strain Relief.	Color	Vac	Amp	NEMA	ANSI	Cord Ø			
101 ■	Plug		Brown	125	15	1-15P	C73.10	max. 6.4	23	100	100016
101-P ■	Plug, Polarized		Brown	125	15	1-15P	C73.10	max. 6.4	23	100	100022
101-E ■	Plug		Black	125	15	1-15P	C73.10	max. 6.4	23	100	100020
101-EP ■	Plug, Polarized		Black	125	15	1-15P	C73.10	max. 6.4	23	100	100021
101-W ■	Plug		White	125	15	1-15P	C73.10	max. 6.4	23	100	100023
101-WP ■	Plug, Polarized		White	125	15	1-15P	C73.10	max. 6.4	23	100	100024
102 ■	Connector		Brown	125	15	1-15R	C73.10	max. 6.4	35	100	100025
102-E ■	Connector		Black	125	15	1-15R	C73.10	max. 6.4	35	100	100028
102-W ■	Connector		White	125	15	1-15R	C73.10	max. 6.4	35	100	100029

15 AMP 125V 60Hz AC

Light Duty Clampite Plugs and Connectors

Plug blades and connector contacts are brass for maximum conductivity.



No. 101

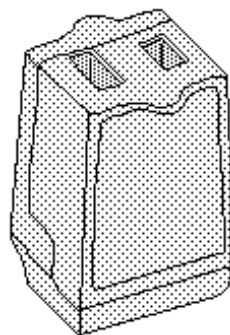
15 Amp - 125 Volts, NEMA 1-15P,
2-POLE, 2-WIRE PLUG
WITH SCREW TERMINALS

ANSI Standard C73.10
U.L. Listed E-13383
CSA Certified LR 406
(where applicable)

Use with AWG No. 20, 18 and 16 flat (SPT) cord including 18-2 Type SPT-2, and 2-wire round cord up to 1/4" (6.35mm) dia. (no. 18 SV and SVT). Molded polypropylene body with molded-in strain relief. Screw assembly.

Dimensions: 1 3/8" (34.9mm) long x 7/8" (22.2mm) thick
x 1 1/32" (26.2mm) wide at face of plug.

Available polarized and non-polarized. Standard color is brown;
also available in black (-E) and white (-W).



No. 102

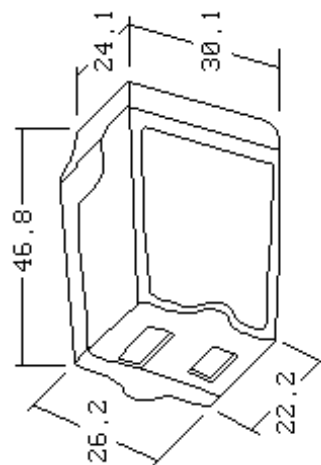
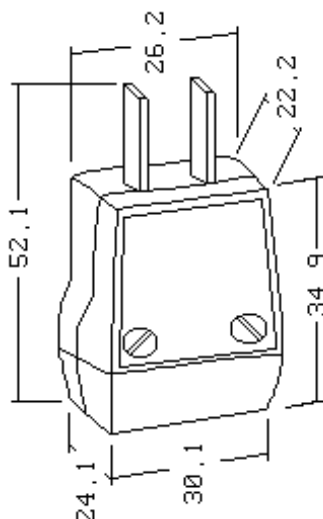
15 Amp - 125 Volts, NEMA 1-15R,
2-POLE, 2-WIRE CONNECTOR
WITH SCREW TERMINALS

ANSI Standard C73.10
U.L. Listed E-13383
CSA Certified LR 406
(where applicable)

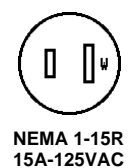
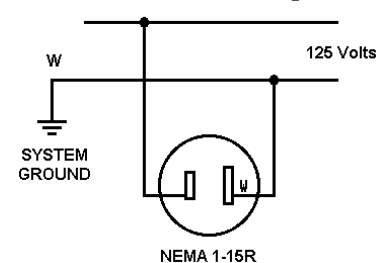
Use with AWG No. 20, 18 and 16 flat (SPT) cord including 18-2 Type SPT-2, and 2-wire round cord up to 1/4" (6.35mm) dia. (no. 18 SV and SVT). Molded polypropylene body with molded-in strain relief. Screw assembly.

Dimensions: 1 27/32" (46.8mm) long x 7/8" (22.2mm) thick
x 1 1/32" (26.2mm) wide at face of connector.

Accepts polarized (used in all new lamps) and non-polarized plugs. Standard color is brown;
also available in black (-E) and white (-W).



2-Pole, 2-Wire
Non-Grounding



Weitere Typen auf Anfrage. Abmessungen in Millimetern. Änderungen sind vorbehalten.
Further items upon request. Dimensions in Millimetres. Subject to change without notice.

alt: 1908-1

B-I-A Vertriebs GmbH
Lagerstraße 1
D-64331 Weiterstadt
Germany

Copyright © 1995
Telefon 061 51-8786-0
Fax (49) 61 51-8786-22