

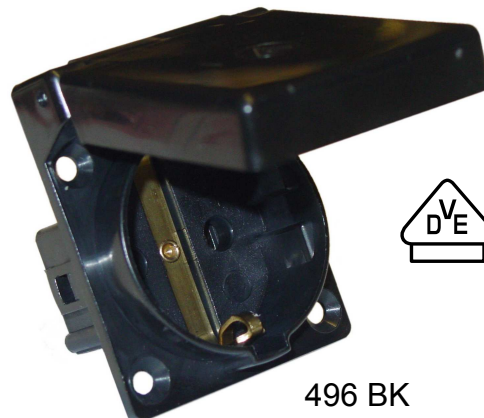
Germany / Europe - Flush or Panel Mount Receptacles, IP 44

Flush or Panel Mounting Socket Outlet with Earthing Contact and Self-Closing Lid, Screw Mounting

Einbausteckdose mit Schutzkontakt und Klappdeckel, zur Schraubmontage

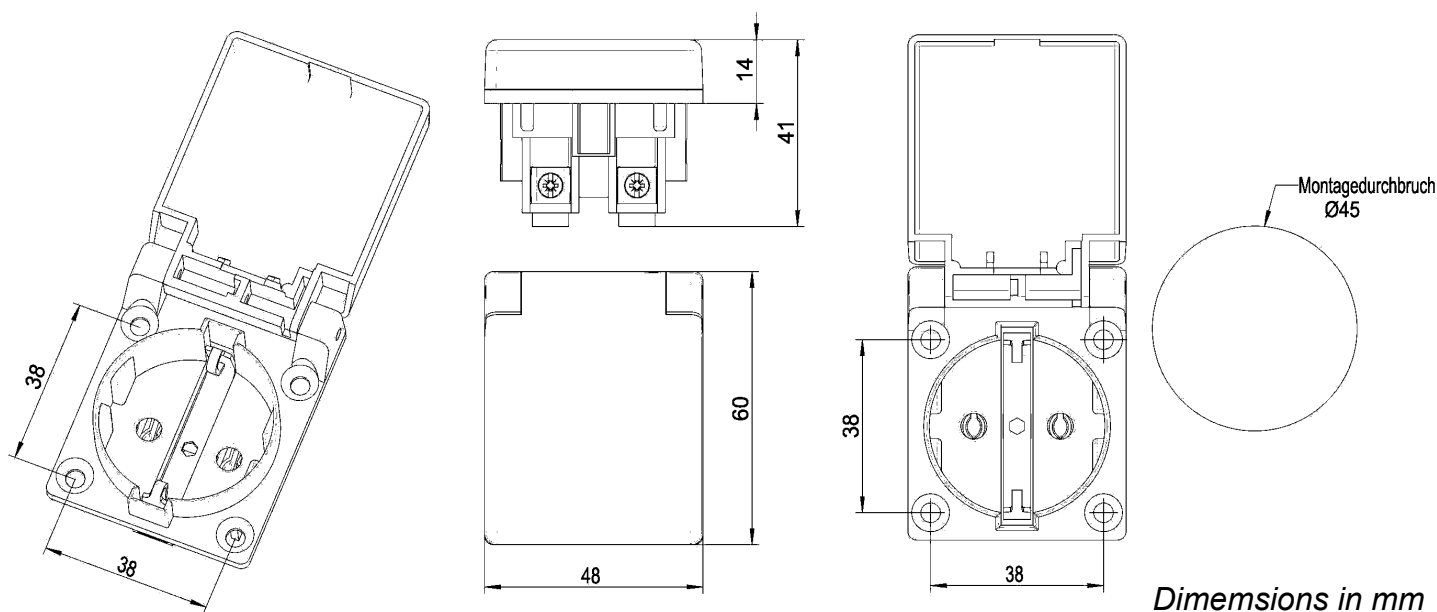
SPECIFICATIONS

- **Electrical Ratings:** 250V AC, 16A
- **Standards according to:** DIN 49440 Part 1
- **Splashproof (IP 44)**
- **Material & Type of Terminals:** CuZn 36 / 37 (screw terminals)
- **Material of Housing and Carrying Parts:** Polyamide 6
- **RoHS COMPLIANT 2002/96/EC**



496 BK

Catalog No.	Color	Description	EDP-No.
496 BK	Black	Flush Mount Socket, IP44, 16A, 250V	112943
496 BL	Blue	Flush Mount Socket, IP44, 16A, 250V	112942
496 GR	Gray	Flush Mount Socket, IP44, 16A, 250V	112944
496 SI	Silver	Flush Mount Socket, IP44, 16A, 250V	124981
496 WH	White	Flush Mount Socket, IP44, 16A, 250V	112941
496 K BK	Black	Flush Mount Socket, IP44, 16A, 250V, with Shutter	124982
496 K BL	Blue	Flush Mount Socket, IP44, 16A, 250V, with Shutter	124985
496 K GR	Gray	Flush Mount Socket, IP44, 16A, 250V, with Shutter	124983
496 K SI	Silver	Flush Mount Socket, IP44, 16A, 250V, with Shutter	124986
496 K WH	White	Flush Mount Socket, IP44, 16A, 250V, with Shutter	124984
096	Black	Sealing Rubber Gasket for Socket Outlet, (60x48)mm	112945



Germany / Europe - Snap-In Panel Mount Receptacles, IP 44

Panel Mounting Socket Outlet with Earthing Contact and Self-Closing Lid, Snap-In Mounting

Einbausteckdose mit Schutzkontakt und Klappdeckel, Rastmontage

SPECIFICATIONS

- **Electrical Ratings:** 250V AC, 16A
- **Standards according to:** DIN 49440 Part 1
- **Splashproof (IP 44)**
- **Material & Type of Terminals:** CuZn 36 / 37 / 39 / Fe (screw terminals)
- **Material of Housing and Carrying Parts:** Polyamide 6
- **RoHS COMPLIANT 2002/96/EC**



Catalog No.	Color	Description	EDP-No.
496 R BK 1	Black	Snap-In Socket, Suits 1mm Panel, IP44, 16A, 250V	124971
496 R BK 2	Black	Snap-In Socket, Suits 2mm Panel, IP44, 16A, 250V	113172
496 R BK 3	Black	Snap-In Socket, Suits 3mm Panel, IP44, 16A, 250V	124973
496 R WH 1	White	Snap-In Socket, Suits 1mm Panel, IP44, 16A, 250V	124972
496 R WH 2	White	Snap-In Socket, Suits 2mm Panel, IP44, 16A, 250V	113171
496 R WH 3	White	Snap-In Socket, Suits 3mm Panel, IP44, 16A, 250V	124974
496 K R BK 1	Black	Snap-In Socket, Suits 1mm, IP44, 16A, 250V, with Shutter	124975
496 K R BK 2	Black	Snap-In Socket, Suits 2mm, IP44, 16A, 250V, with Shutter	124976
496 K R BK 3	Black	Snap-In Socket, Suits 3mm, IP44, 16A, 250V, with Shutter	124977
496 K R WH 1	White	Snap-In Socket, Suits 1mm, IP44, 16A, 250V, with Shutter	124978
496 K R WH 2	White	Snap-In Socket, Suits 2mm, IP44, 16A, 250V, with Shutter	124979
496 K R WH 3	White	Snap-In Socket, Suits 3mm, IP44, 16A, 250V, with Shutter	124980
096	Black	Sealing Rubber Gasket for Socket Outlet, (60x48)mm	112945

Dimensions in mm

