

USA / Canada / Mexico

Heavy-Duty Plugs and Connectors 15A/125V AC, NEMA 1-15P

- Brass plug blades and connector contacts for maximum conductivity
- Assembly Screws: Steel, Zinc Plated
- Rubber devices resist cold, abrasion, grease, oils, acids and impact
- Plastic devices resist grease, oils and acids
- Meet NEMA requirements
- UL Listed, CSA Certified, NOM
- Environmental: Flammability, Rated V2 per UL 94
- Operating Temperature: -40°C to 65°C
- Cord Diameter: (6.2 to 16.6)mm, AWG 18/2 to 12/2 Cord

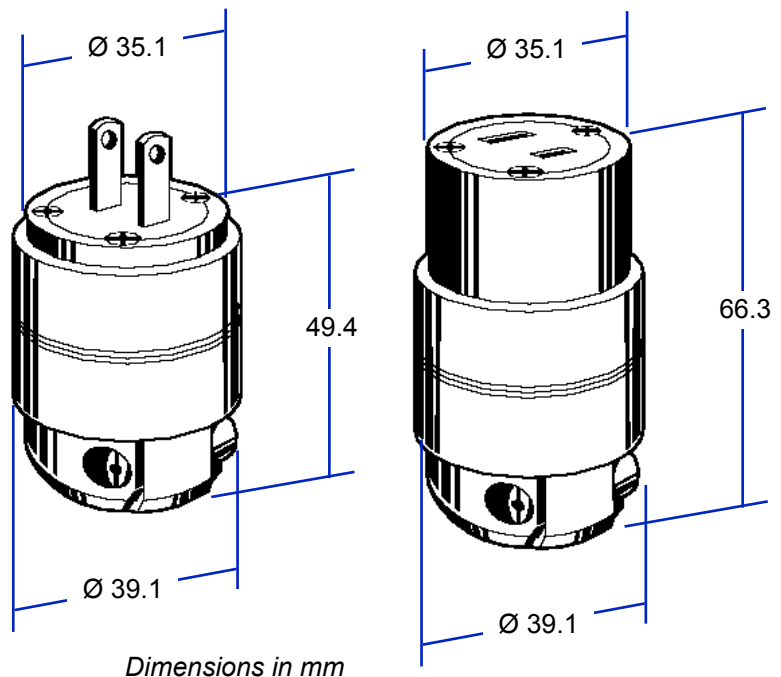
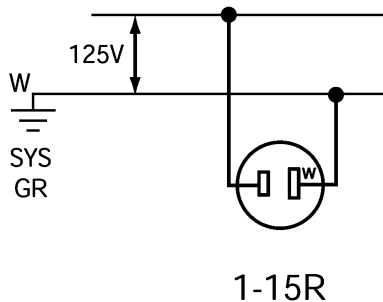


Catalog No.	Color	Description	VPE/Pack	EDP-No.
115PR	Black	Plug, TPE Rubber, NEMA 1-15P Non-Polarized	100/10	108084
115CR	Black	Connector, TPE Rubber, NEMA 1-15R Polarized	100/10	108085
115PV	Yellow	Plug, PVC, NEMA 1-15P Non-Polarized	100/10	108080
115CV	Yellow	Connector, PVC, NEMA 1-15R Polarized	100/10	108081

Circuit Wiring Diagram

WIRING DIAGRAM FOR NEMA

125V — 2-POLE, 2-WIRE



Dimensions in mm