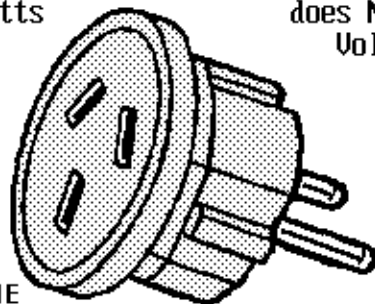
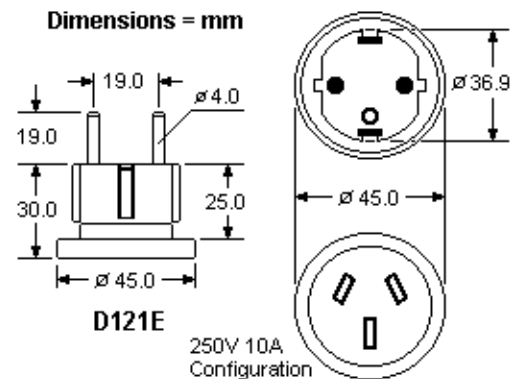


Total Loading
2500 Watts

NOTE: Adaptor Plug
does NOT convert
Voltage !



D121E



D121E

250V 10A
Configuration

TRAVELPLUG ADAPTOR (2P3W Grounding)

European Adaptor (equal to SCHUKO)

- This plug with two round pins plus earth contact is for use in parts of Europe, (will fit SCHUKO and France / Belgium sockets also), Middle East and Asia etc.
- Further travelplug adaptors are available, please refer to document # 0950 for infos.
- This adaptor plug must be used only with dual or universal voltage appliances fitted with two or three pin Australian or New Zealand plug.
- Most Australian appliances are made for 220 - 250 volt AC. Many countries, particularly in the America's, operate on 110 volt AC only.
- There is no guarantee that travelplug adaptor fit into every socket in every country of the world.

Catalog No.	Colour	Description	Wght/ea	UPE/Pack	EDP-No
D121E	White	SCHUKO/Europe to Australian 3-Pin Travelplug Adaptor	34g	120/5	118106