

Italy - NON-Detachable Plug Adaptor, 166 Series

Adapter plug with earthing contact from plug with earthing contact and additional earthing socket to Italian plug

Übergangsstecker von Stecker mit zweitem Schutzkontaktsystem auf Stecker italienische Ausführung

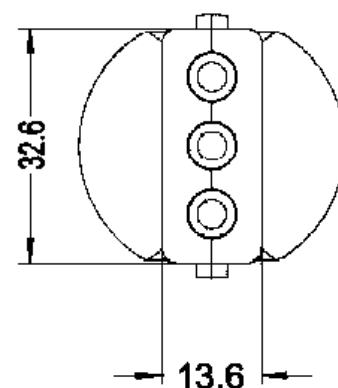
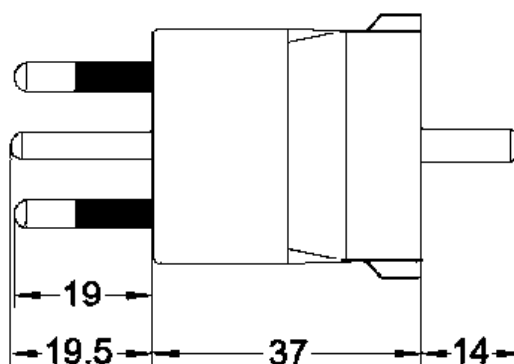
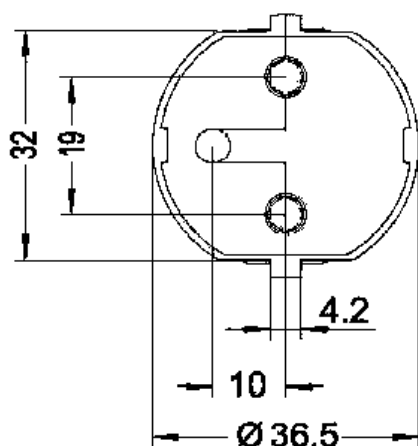
SPECIFICATIONS

- Electrical Ratings: 250V AC, 16A
- Standards according to: CEE 7 Sheet VII, CEI 23-50
- IP Protection: IP 20
- Material & Type of Terminals: CuZn 39 (wrap-connection)
- Material of Housing and Carrying Parts: Polyamide 6



166 BK

Catalog No.	Color	Description	Weight/ea	VPE/Pack	EDP-No.
166 BK	Black	NON-Detachable Plug Adaptor,	47 g	50	123374
166 WH	White	Pins Italy (2P+E), Socket CEE 7/5 (plug-in once only)	47 g	50	123375



To learn more about B-I-A please visit us at our
WEB site: www.BiaGmbH.com

