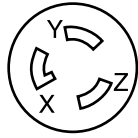
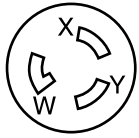


NEMA L10-20R



NEMA L11-20R

20A 125/250V; 20A 250V 3Ø Industrial Grade

V-MAX
INDUSTRIAL GRADE FLUSH RECEPTACLES

BLACK & WHITE
INDUSTRIAL GRADE PLUGS & CONNECTORS



2361



2363



2360



2365



2366

TYPE	PLUG	CONNECTOR	SINGLE FLUSH RECEPTACLE	FLANGED INLET	FLANGED OUTLET
20A 125/250V, NEMA L10-20P AND L10-20R, 3-P 3-W, Non-Grounding					
Black & White	2361	2363	-	-	-
Yellow & White	-	-	-	-	-
All Black	-	-	2360†	-	-
All White	-	-	-	2365	2366
20A 250V 3Ø, NEMA L11-20P AND L11-20R, 3-P 3-W, Non-Grounding					
Black & White	2371	2373	-	-	-
All Black	-	-	2370†	-	-
All White	-	-	-	2375	2376

† Not CSA or Fed. Spec. Certified.

THERMOPLASTIC ELASTOMER BOOTS

PLUG BOOT		CONNECTOR BOOT	
	6031 (Black) 6031-Y (Yellow)		6032 (Black) 6032-Y (Yellow)



NEMA L10-20P



NEMA L10-20R



NEMA L11-20P



NEMA L11-20R

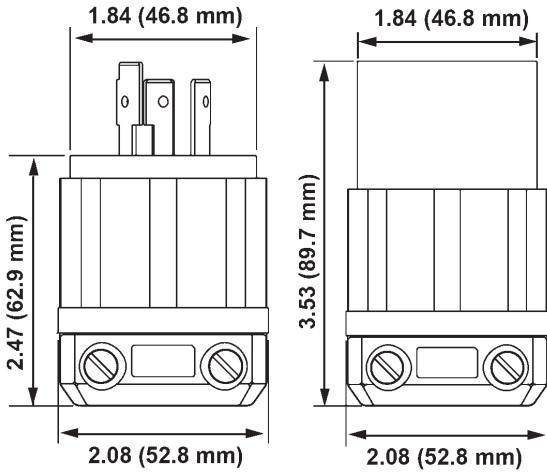
ELECTRICAL		
DIELECTRIC VOLTAGE	CURRENT INTERR.	TEMP. RISE
Withstands 2000V per UL 498	Full rated current	Max 30°C after 250 cycles of overload at 200% of rated current

MECHANICAL			
TERMINAL I.D.	TERMINAL ACCOMM.	PRODUCT I.D.	CORD GRIP RANGE
Brass, hot	#18 - #10 AWG Receptacles #14 - #8 AWG	Ratings & NEMA I.D. permanently marked on device	.385" - .780"
White, neutral			
ENVIRONMENTAL			
FLAMMABILITY		OPERATING TEMP.	
Rated V-2 per UL 94		-40°C to 60°C	

STANDARDS & CERTIFICATIONS					
NEMA WD-6	ANSI C-73	UL 498	UL Fed Spec Listed WC-596	CSA C22.2 No.42	NOM
✓	✓	✓	#E13393 Plugs, Connectors & Flanged Inlets #E13399 Receptacles & Flanged Outlets	#LR-406	#057

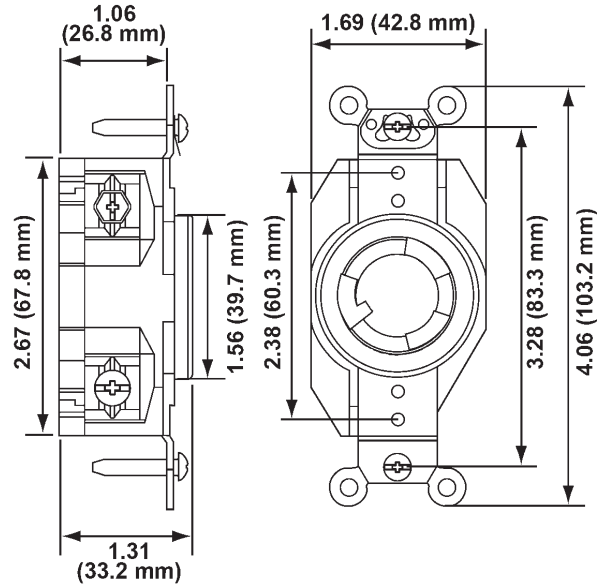
GRAY LEXAN FLIP LID COVER	YELLOW LEXAN FLIP LID COVER	WEATHER-RESISTANT THERMOPLASTIC COVER	302 STAINLESS STEEL
For Inlets and Outlets	For Receptacles	For Receptacles	Single Receptacles
IP64 Rated Includes Gasket and Screws WP2	IP64 Rated Includes Gasket and Screws 7420-CR	Self-Closing Lid Includes Gasket and Screws 4980-GY	40.6mm Dia. Hole 84020-40

PLEASE REQUEST FOR ADDITIONAL WALLPLATE OPTIONS

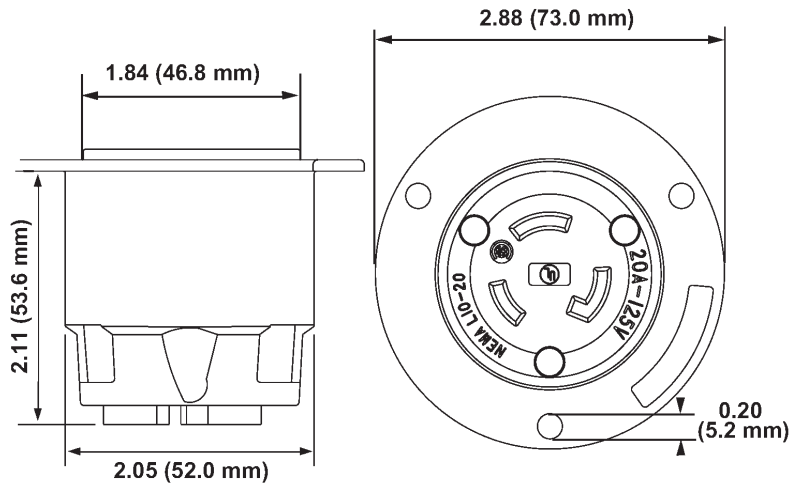


PLUG

CONNECTOR



RECEPTACLE



INLETS & OUTLETS

To learn more about B-I-A please visit us at our
WEB site: www.BiaGmbH.com

