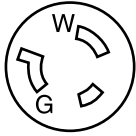


NEMA L7-20R



NEMA L24-20R

20A 277V AC; 20A 347V AC Industrial Grade

V-MAX
INDUSTRIAL GRADE FLUSH RECEPTACLES

BLACK & WHITE
INDUSTRIAL GRADE PLUGS & CONNECTORS



2331



2333



2330



2330-IG



2335



2336

TYPE	PLUG	CONNECTOR	SINGLE FLUSH RECEPTACLE	SINGLE FLUSH IG RECEPTACLE	FLANGED INLET	FLANGED OUTLET
20A 277V AC, NEMA L7-20P AND L7-20R, 2-P 3-W, Grounding						
Black & White	2331	2333	-	-	-	-
All Black	-	-	2330	-	-	-
All White	-	-	-	-	2335	2336
Orange	-	-	-	2330-IG	-	-
20A 347V AC, NEMA L24-20P AND L24-20R, 2-P 3-W, Grounding						
Black & White	3721	3723	-	-	-	-
All Black	-	-	3720	-	-	-
All White	-	-	-	-	3755	3756

Power Light Plug & Connector

TYPE	PLUG	CONNECTOR
20A 277V AC NEMA L7-20P & L7-20R, 2-P 3-W Factory Installed Green Light Indicates Power Status		
Black & White	2331-PLC*	2333-PLC*

Thermoplastic Elastomer Boots for 20A 2-P 3-W Devices

TYPE	PLUG BOOT	CONNECTOR BOOT
Black Yellow	6031 6031-Y	6032 6032-Y

* Availability to be announced.



NEMA L7-20P



NEMA L7-20R



NEMA L24-20P



NEMA L24-20R

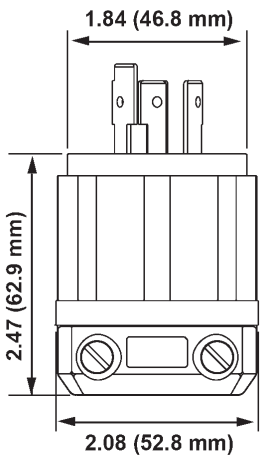
ELECTRICAL		
DIELECTRIC VOLTAGE	CURRENT INTERR.	TEMP. RISE
Withstands 2000V per UL 498	Full rated current	Max 30°C after 250 cycles of overload at 200% of rated current

MECHANICAL			
TERMINAL I.D.	TERMINAL ACCOMM.	PRODUCT I.D.	CORD GRIP RANGE
Brass, hot	#18 - #10 AWG	Ratings & NEMA I.D. permanently marked on device	.385" - .780"
Grounding	Receptacles #14 - #8 AWG		
White, neutral			
ENVIRONMENTAL			
FLAMMABILITY		OPERATING TEMP.	
Rated V-2 per UL 94		-40°C to 60°C	

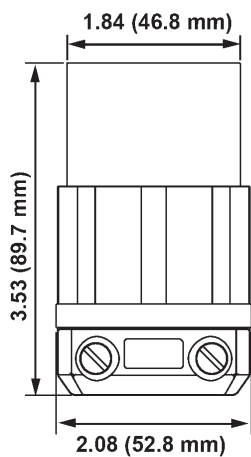
STANDARDS & CERTIFICATIONS					
NEMA WD-6	ANSI C-73	UL 498	UL Fed Spec Listed WC-596	CSA C22.2 No.42	NOM
✓	✓	✓	#E13393 Plugs, Connectors & Flanged Inlets	#LR-406	#057
			#E13399 Receptacles & Flanged Outlets		

GRAY LEXAN FLIP LID COVER	YELLOW LEXAN FLIP LID COVER	WEATHER-RESISTANT THERMOPLASTIC COVER	302 STAINLESS STEEL
For Inlets and Outlets	For Receptacles	For Receptacles	Single Receptacles
IP64 Rated Includes Gasket and Screws WP2	IP64 Rated Includes Gasket and Screws 7420-CR	Self-Closing Lid Includes Gasket and Screws 4980-GY	40.6mm Dia. Hole 84020-40

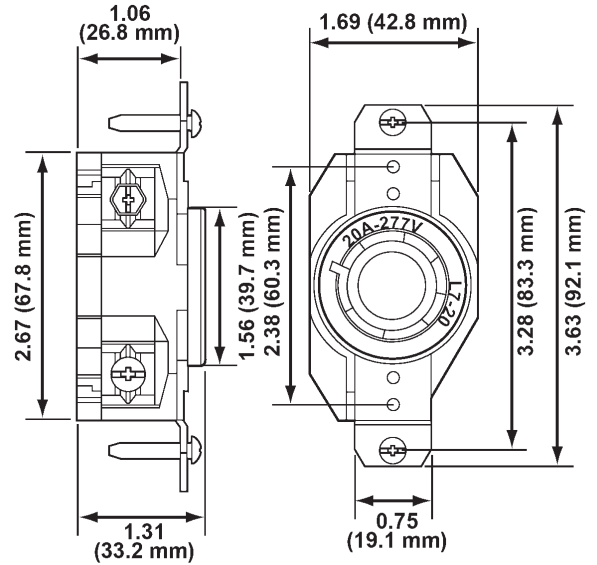
PLEASE REQUEST FOR ADDITIONAL WALLPLATE OPTIONS



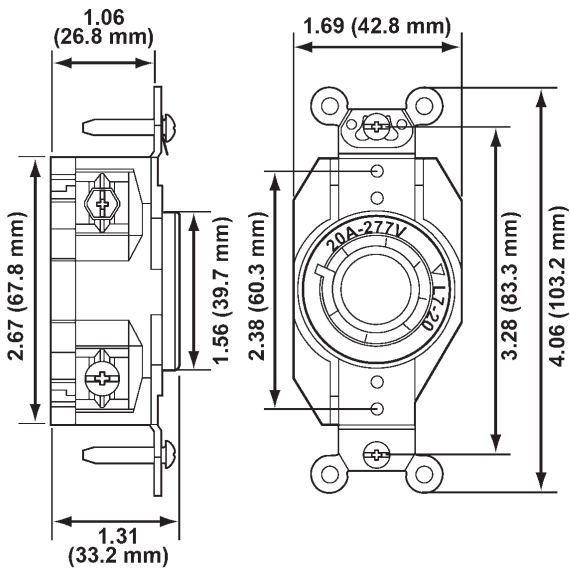
PLUG



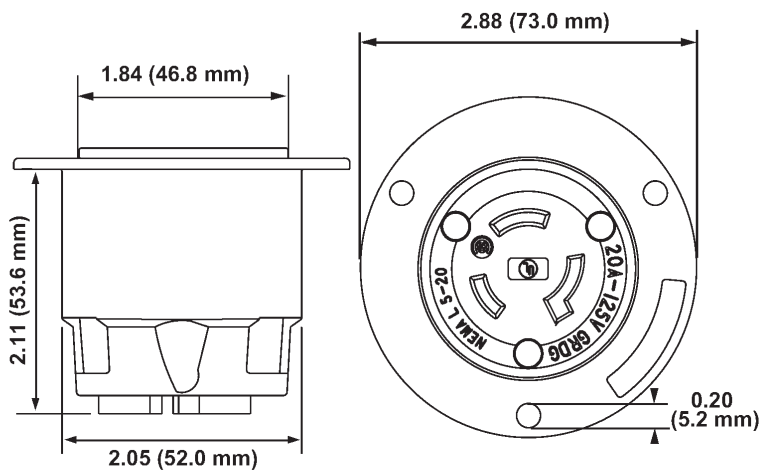
CONNECTOR



RECEPTACLE



IG RECEPTACLE



INLETS & OUTLETS

To learn more about B-I-A please visit us at our
 WEB site: www.BiaGmbH.com

