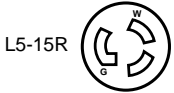


USA / Canada / Mexico - Industrial Grade Locking Devices



NEMA Configuration



4720-C



4729-C



4716-C



4710-SS



4710



47CM-10

Catalog No.	Description	NEMA	VPE/Pack	EDP-No.
4720-C	Locking Plug, Black & White Nylon Body	L5-15P	10 ea	101115
4729-C	Locking Connector, Black & White Nylon Body	L5-15R	10 ea	101123
4715-C	Locking Flanged Outlet	L5-15R	10 ea	101112
4716-C	Locking Flanged Inlet	L5-15P	10 ea	101114
4710-SS	Single Flush Receptacle, w/Short Strap	L5-15R	10 ea	101110
4710	Single Flush Receptacle	L5-15R	10 ea	101108
4710-IG	Single Flush Receptacle, Isolated Ground	L5-15R	10 ea	101109
47CM-10	Single Corrosion Resistant Flush Receptacle	L5-15R	10 ea	101157

Weather-Resistant Boots for 15A Locking Plugs and Connectors available on request.

Cord Clamp Range — Black & White Plugs and Connectors: .240" – .700" (6.1mm – 17.8mm) #18 – #10 AWG

SPECIFICATIONS AND FEATURES

Locking Flush Receptacles

- Rugged nylon body and cover for outstanding resistance to impact and harsh chemicals
- Double-wipe phosphor-bronze power contacts

Locking Plugs and Connectors

- Supertough ST801 Nylon body resists damage from severe impact, abrasion and chemicals
- Ergonomic, fluted body design with radial grip ridge is ideal for gripping, turning and pulling
- Cord clamp does not have to be disassembled from body for wiring – accepts all wire mesh strain reliefs
- One-piece, rivetless .035" (8.9mm) thick brass connector contacts and solid brass plug blades provide maximum conductivity and long service life
- PowerLight™ 15A Locking Plugs & Connectors equipped with green neon bulb rated at 30,000 hours (24/7) for 3.5 years

Flanged Inlets and Outlets

- Rugged nylon flange fits flush and won't crack in highabuse applications
- Individual deep-funneled chamfered wire wells guide each wire into rectangular chambers
- Wire clamps provide positive crimp lock without cutting wire strands

Dustguard Plugs and Connectors

- IEC IP44 Rated
- Developed to withstand dusty and dirty environments, cracking and fading, temperature extremes
- Rugged wiring modules have high performance single piece brass triple-wipe contacts, solid brass plug blades

TESTING AND CODE COMPLIANCE

- All receptacles, plugs, connectors, inlets and outlets are designed to meet NEMA WD-6, and ANSI C-73, and to meet / exceed UL 498 standards
- UL Fed. Spec. Listed WC-596 – Plugs, Connectors and Flanged Inlets, Receptacles & Flanged Outlets
- CSA Certified
- NOM Certified

MATERIAL CHARACTERISTICS

Environmental: Flammability Rated V2 per UL94

Operating Temperature: -40°C to 60°C

USA / Canada / Mexico - Industrial Grade Locking Devices

ELECTRICAL		
DIELECTRIC VOLTAGE	CURRENT INTERRUPT.	TEMP. RISE
Withstands 2000V per UL 498	Full rated current	Max 30°C after 250 cycles of overload at 200% of rated current

MECHANICAL			
TERMINAL I.D.	TERMINAL ACCOMM.	PRODUCT I.D.	CORD GRIP RANGE
Brass, hot	#18 - #10 AWG	Ratings & NEMA I.D. permanently marked on device	.245" - .700"
Grounding			
White, neutral			
ENVIRONMENTAL			
FLAMMABILITY		OPERATING TEMP.	
Rated V-2 per UL 94		-40°C to 60°C	

STANDARDS & CERTIFICATIONS					
NEMA WD-6	ANSI C-73	UL 498	UL Fed Spec Listed WC-596	CSA C22.2 No.42	NOM
✓	✓	✓	#E13393 Plugs, Connectors & Flanged Inlets	#LR-406	#057
			#E13399 Receptacles & Flanged Outlets		



4700 (DUPLEX)



4720-C



4729-C



4720-CA



4716-C

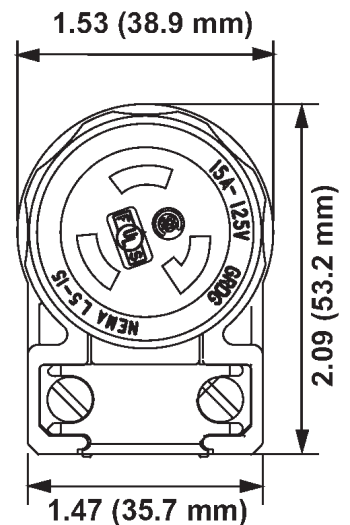
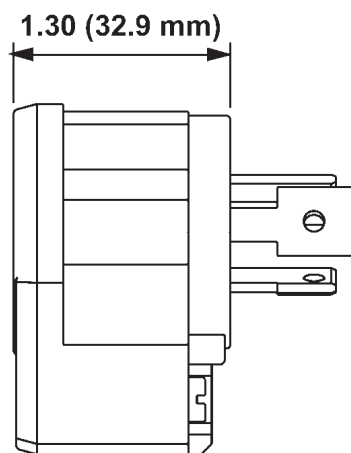
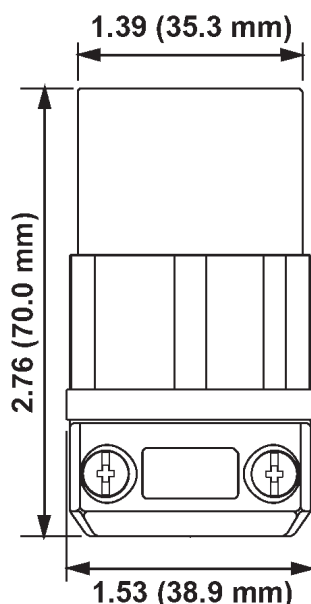
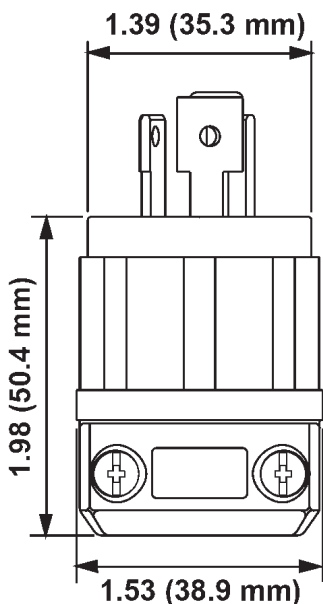


TYPE	PLUG	CONNECTOR	ANGLE PLUG	FLANGED INLET	FLANGED OUTLET
15A 125V, NEMA L5-15P AND L5-15R, 2-P 3-W, Grounding					
Black & White	4720-C	4729-C	4720-CA	-	-
All Black	4720-CB	4729-CB	-	-	-
Yellow & White	4720-CY	4729-CY	-	-	-
All White	-	-	-	4716-C	4715-C
Power Light Black & White	4720-PLC	4729-PLC	-	-	-

TYPE	COMBO DUPLEX† RECEPTACLE SELF-GROUNDING BACK & SIDE WIRED	DUPLEX RECEPTACLE ISOLATED GROUND BACK & SIDE WIRED	SINGLE RECEPTACLE	SINGLE RECEPTACLE with SHORT STRAP	SINGLE RECEPTACLE ISOLATED GROUND
15A 125V, NEMA L5-15R, 2-P 3-W, Grounding					
Black	4700	-	4710	4710-SS	-
Orange	-	4700-IG	-	-	4710-IG*

† See additional combo receptacles

* 4710-SIG with short strap also available



USA / Canada / Mexico - Industrial Grade Locking Devices

