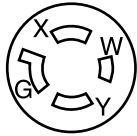
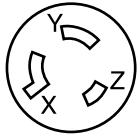


NEMA L12-20R



NEMA L14-20R

20A 480V 3ø; 20A 125/250V Industrial Grade



2411



2413



2380



2410-IG



2415



2416

TYPE	PLUG	CONNECTOR	SINGLE FLUSH RECEPTACLE	SINGLE FLUSH IG RECEPTACLE	FLANGED INLET	FLANGED OUTLET
20A 480V 3ø, NEMA L12-20P AND L12-20R, 3-P 3-W, Non-Grounding						
Black & White	2381	2383	-	-	-	-
Yellow & White	-	-	-	-	-	-
All Black	-	-	2380†	-	-	-
All White	-	-	-	-	2385	2386
20A 125/250V, NEMA L14-20P AND L14-20R, 3-P 4-W, Grounding (For V-0-MAX receptacle dimensions, refer to Doc # 1612.)						
Black & White	2411	2413	-	-	-	-
Yellow & White	-	-	-	-	-	-
All Black	-	-	2410	-	-	-
All White	-	-	-	-	2415	2416
Orange	-	-	-	2410-IG	-	-

† Not CSA or Fed. Spec. Certified.

THERMOPLASTIC ELASTOMER BOOTS

PLUG BOOT		CONNECTOR BOOT	
	For 3-P 3-W	For 3-P 4-W	
	6031 (Black) 6031-Y (Yellow)	6033 (Black) 6033-Y (Yellow)	
			For 3-P 3-W
			For 3-P 4-W
			6032 (Black) 6032-Y (Yellow)
			6034 (Black) 6034-Y (Yellow)



NEMA L12-20P



NEMA L12-20R



NEMA L14-20P



NEMA L14-20R

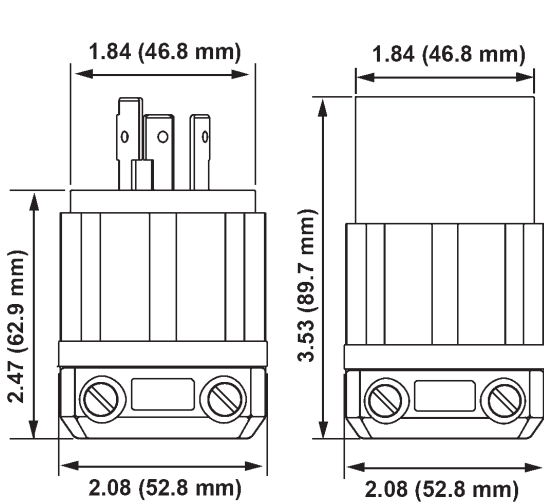
ELECTRICAL		
DIELECTRIC VOLTAGE	CURRENT INTERRUPT.	TEMP. RISE
Withstands 2000V per UL 498	Full rated current	Max 30°C after 250 cycles of overload at 200% of rated current

MECHANICAL			
TERMINAL I.D.	TERMINAL ACCOMM.	PRODUCT I.D.	CORD GRIP RANGE
Brass, hot	#18 - #10 AWG Receptacles #14 - #8 AWG	Ratings & NEMA I.D. permanently marked on device.	3-P 3-W .385" - .780"
Grounding White, neutral			3-P 4-W .595" - .895"
ENVIRONMENTAL			
FLAMMABILITY		OPERATING TEMP.	
Rated V-2 per UL 94	2410 & 2410-IG Rated V-0 per UL 94	-40°C to 60°C	

STANDARDS & CERTIFICATIONS					
NEMA WD-6	ANSI C-73	UL 498	UL Fed Spec Listed WC-596	CSA C22.2 No.42	NOM
✓	✓	✓	#E13393 Plugs, Connectors & Flanged Inlets	#LR-406	#057
			#E13399 Receptacles & Flanged Outlets		

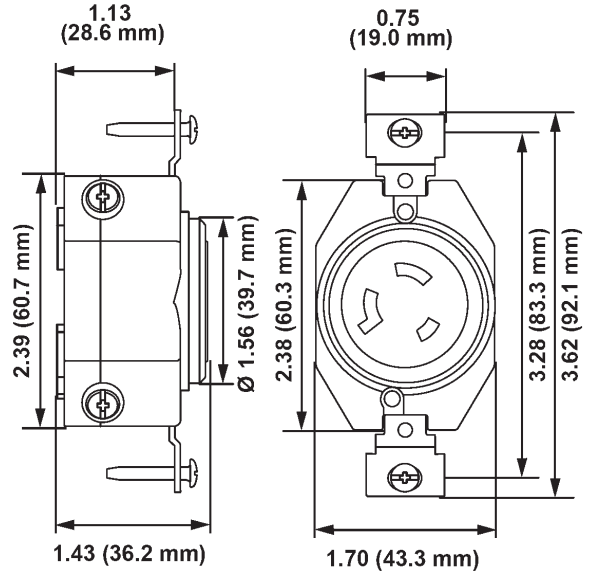
GRAY LEXAN FLIP LID COVER	YELLOW LEXAN FLIP LID COVER	WEATHER-RESISTANT THERMOPLASTIC COVER	302 STAINLESS STEEL
For Inlets and Outlets	For Receptacles	For Receptacles	Single Receptacles
IP64 Rated Includes Gasket and Screws WP2	IP64 Rated Includes Gasket and Screws 7420-CR	Self-Closing Lid Includes Gasket and Screws 4980-GY	40.6mm Dia. Hole 84020-40

PLEASE REQUEST FOR ADDITIONAL WALLPLATE OPTIONS

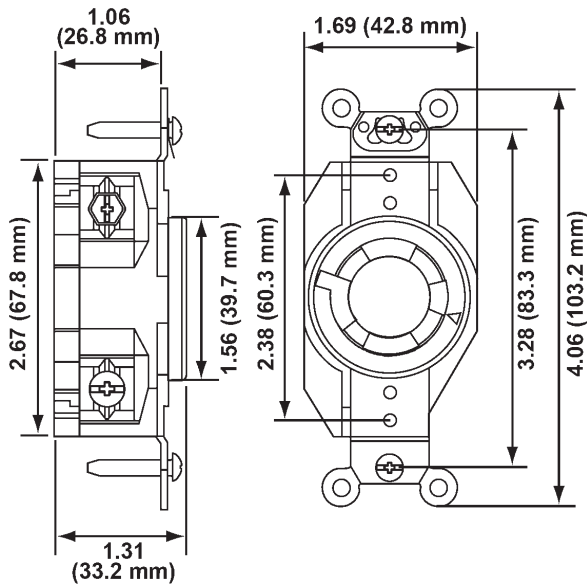


PLUG

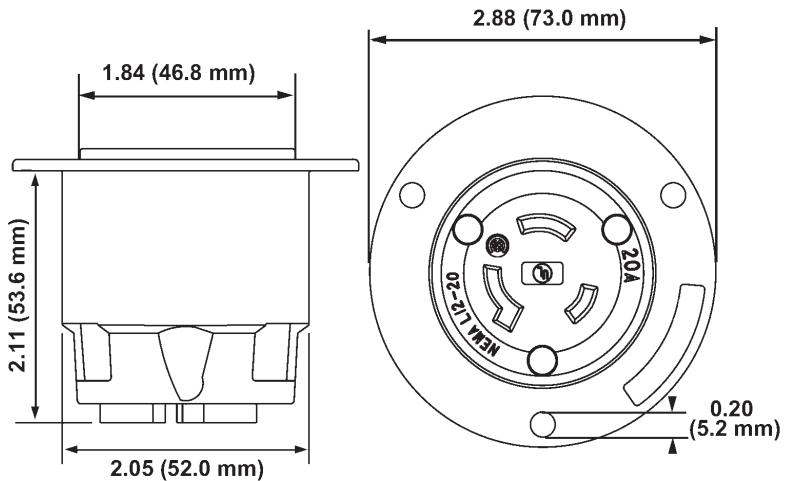
CONNECTOR



RECEPTACLE



IG RECEPTACLE



INLETS & OUTLETS

To learn more about B-I-A please visit us at our
 WEB site: www.BiaGmbH.com

